

Technical Specifications

Panoramic FX1



FUTURE FIRES

FUTURE FIRES PANORAMIC FX1



The beautifully contemporary easy on the eye Panoramic FX1 offers a fresh and innovative design, perfectly engineered for a traditional method of heating.

Its unique and minimalist elliptical design provides the perfect focal point of a room, combined with the benefit of burning a carbon-neutral fuel in the form of seasoned hardwood logs.

Made from laser-cut sheet steel at our factory in Rotherham, South Yorkshire, the FX1 features one of the largest glass doors available offering an unrivalled wide view and the illusion of a large open log burning fire.

APPLIANCE SPECIFICATIONS:

Model: Panoramic FX1

Weight: 70 kg

Nominal Output: 8 kw

Space Heating Output: 8 kw

Flue Mass Gas Flow: 7.6 G/s

Tests carried out at 12 pa flue draught (0.048 Inches wg) with doors closed.
Tests carried out with primary air slider fully open.



CONTENTS

1. INSTALLATION INSTRUCTIONS

- Installation of your Panoramic FX1
- Air Access
- Hearth
- Hearth Installation
- Flooring Load-Bearing
- Flue Pipe Damper
- Connection to the Flue
- A register plate

2. THE CLEAN AIR ACT 1993 AND SMOKE CONTROL AREAS

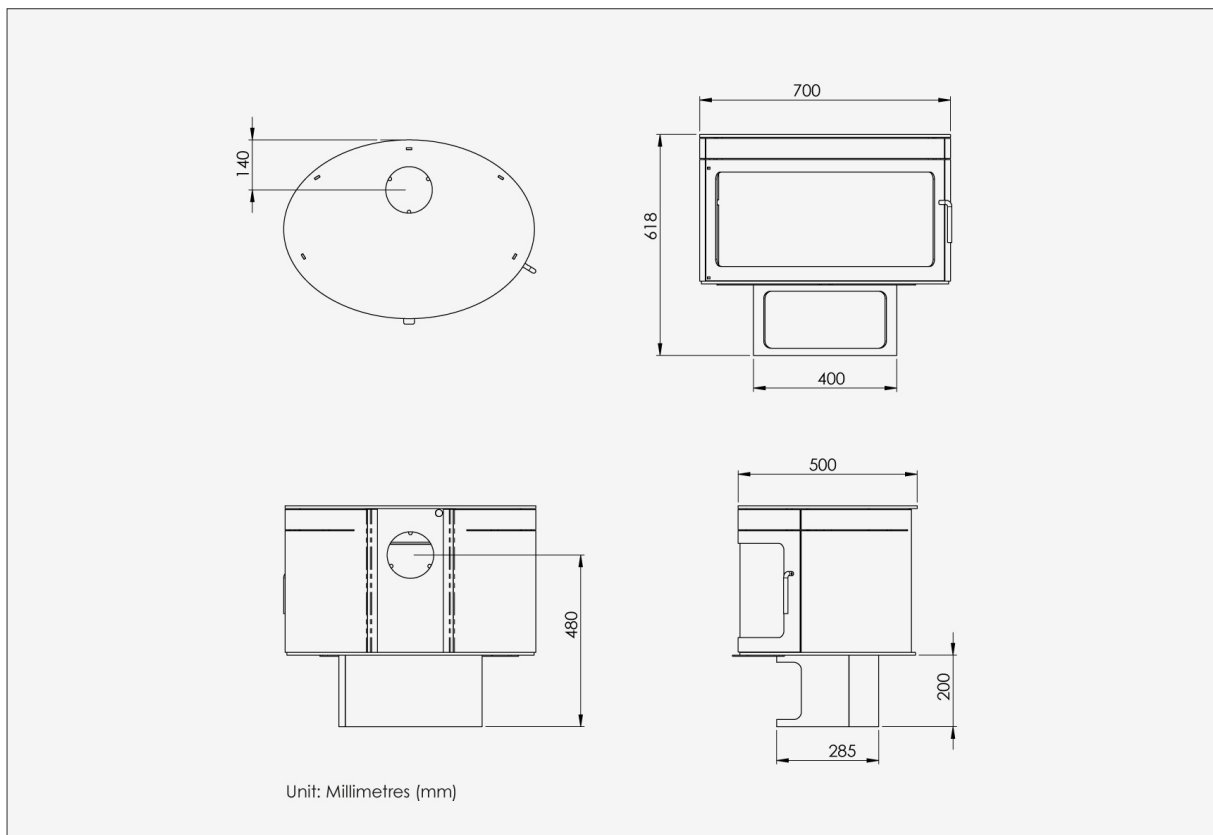
- Lighting the Fire
- Refuelling on to a low fire bed
- Fuel overloading
- Operation with door left open
- Dampers left open

3. OPERATING INSTRUCTIONS

- Lighting Preparation
- Warnings
- Temperature Control
- Fuel to use
- Cleaning the glass
- Smoke
- Ventilation
- Maintenance of the Panoramic FX1
- Regular Maintenance Requirements
- Trouble shooting
- Warranty



1. INSTALLATION INSTRUCTIONS



INSTALLATION OF YOUR PANORAMIC FX1

Before installing your stove, you should check with a Chimney Sweep to ensure that there is proper ventilation and to identify any possible damage to the chimney that might need repairing prior to installation. The chimney needs to be free of any obstructions and is appropriate for the wood burning stove. Sweep the chimney. Do a smoke test to check for draft and gas tightness.

All installations of the Panoramic FX1 must comply with relevant Building Regulations (eg Document J). These are available for download at

http://www.planningportal.gov.uk/uploads/br/BR_PDF_ADJ_2002.pdf

INSTALLATION

The stove must be secured to floor or hearth using bolt hole provided in base, failure to do this will leave the stove free to spin whilst closing door.



All local regulations, including those referring to national and European standards need to be complied with when installing the appliance.

AIR ACCESS

A minimum requirement is that there should be a steady supply of air to the room containing the stove.

Any air inlet grilles need to be so positioned that they are not liable to blockage.

There must be fixed ventilation available.

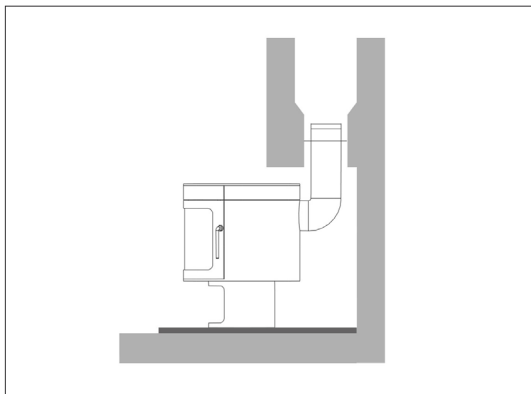
Refer to the building regs (ADJ) which give the requirements for room heaters of differing outputs.

HEARTH

The stove should be installed on a non-combustible hearth. The hearths themselves should be constructed of suitably robust materials and to appropriate dimensions that in normal use it prevents fabrics catching fire and people getting burnt.

In the case of the Panoramic FX1, the hearth should be of 225mm in front of the stove and 150 mm to each side measured from the door of the combustion chamber.

HEARTH INSTALLATION



Gaps between the Panoramic FX1 and flammable materials:

When installing your Panoramic FX1 wood burning stove, a minimum space of 250mm at the side and a minimum of 400mm at the rear needs to be allowed between the stove and any inflammable materials.

Any walls close to the stove should naturally not be flammable.



There should be a gap between a flue pipe that is not insulated and anything flammable. This gap should be a minimum of 3 x the outside diameter of the flue pipe (375mm for 5" single wall flue pipe), or 1.5 x the flue diameter to non combustible surface.

FLOORING LOAD-BEARING

Prior to the installation of the Panoramic FX1, investigation must be made to make sure that the floor can stand the weight of the stove and ancillaries. The weight of the stove is 70 kg.

FLUE PIPE DAMPER

If the chimney has a strong updraft, then it should be fitted with a flue pipe damper or draft stabilizers, to regulate draft. This must always allow for a 20% opening.

CONNECTION TO THE FLUE

The Panoramic FX1 has a connection at the rear and top.

The flue opening diameter on our stoves is 5", FX1 & FX2 are Defra approved and as such can utilise a 5" flue straight through.

The flue connections need to be sealed with fire cement or equivalent.
The flue blanking plug should be positioned over the unused outlet.

The Panoramic FX1 is not suitable for a shared flue. The flue gas temperature directly downstream of the flue spigot/socket in °C, (with closed fire doors), under nominal heat output conditions is 261 Degrees Centigrade.

There is a need to provide access for cleaning the appliance, the flue gas connector and the chimney flue.

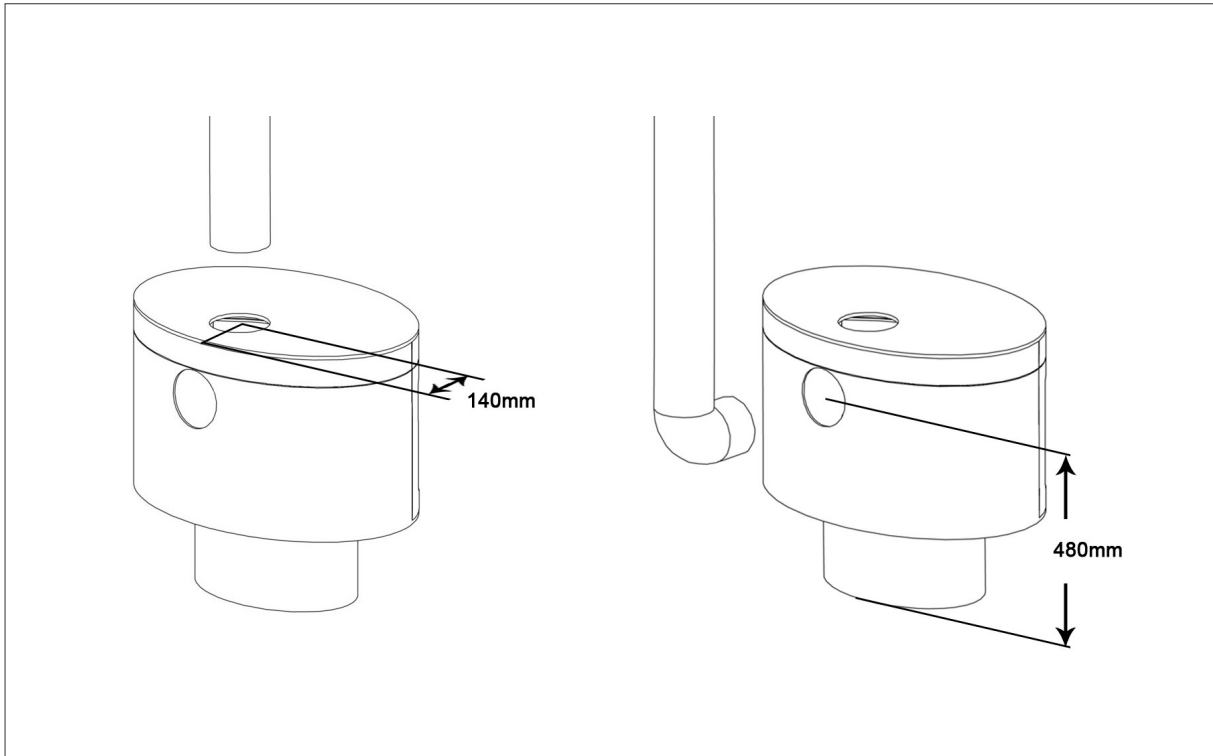
Document continues overleaf...



A REGISTER PLATE

This is the plate used to seal off the throat of the fireplace and has a hole for the flue pipe, access for sweeping and, if required, a bracket to support the flue pipe.

The 5" flue pipe needed to go from the stove to the register plate.



Prior to using the product the installation must be approved by a qualified person
Instructions for mounting, installation and use are enclosed with the product.
The installation may only be used once it has been inspected and approved.

Document continues overleaf...



2. THE CLEAN AIR ACT 1993 AND SMOKE CONTROL AREAS

Under the Clean Air Act local authorities may declare the whole or part of the district of the authority to be a smoke control area. It is an offence to emit smoke from a chimney of a building, from a furnace or from any fixed boiler if located in a designated smoke control area. It is also an offence to acquire an "unauthorised fuel" for use within a smoke control area unless it is used in an "exempt" appliance ("exempted" from the controls which generally apply in the smoke control area).

The Secretary of State for Environment, Food and Rural Affairs has powers under the Act to authorise smokeless fuels or exempt appliances for use in smoke control areas in England. In Scotland and Wales this power rests with Ministers in the devolved administrations for those countries. Separate legislation, the Clean Air (Northern Ireland) Order 1981, applies in Northern Ireland. Therefore it is a requirement that fuels burnt or obtained for use in smoke control areas have been "authorised" in Regulations and that appliances used to burn solid fuel in those areas (other than "authorised" fuels) have been exempted by an Order made and signed by the Secretary of State or Minister in the devolved administrations.

Further information on the requirements of the Clean Air Act can be found here: <http://smokecontrol.defra.gov.uk/>

Your local authority is responsible for implementing the Clean Air Act 1993 including designation and supervision of smoke control areas and you can contact them for details of Clean Air Act requirement.

The Future Fires Panoramic FX1 wood burning stove has been recommended as suitable for use in smoke control areas when burning wood logs.

In addition to the standard operating instructions the following instructions should be followed when the appliance is used in smoke control areas.

LIGHTING THE FIRE

The user should ensure that the fire is well alight before the fire is set to the desired setting this can be done by leaving the fire's door ajar whilst the fuel begins to burn.

REFUELLING ON TO A LOW FIRE BED

If there is insufficient burning material in the fire bed to light a new fuel charge, excessive smoke emission can occur. Refuelling must be carried out onto a sufficient quantity of glowing embers and ash that the new fuel charge will ignite in



a reasonable period. If there are too few embers in the fire bed, add suitable kindling to prevent excessive smoke.

FUEL OVERLOADING

The maximum amount of fuel specified in this manual should not be exceeded, overloading can cause excess smoke. The following text may be required depending on appliance operation and instructions:

OPERATION WITH DOOR LEFT OPEN

Operation with the door open can cause excess smoke. The appliance must not be operated with the appliance door left open except as directed in the instructions.

DAMPERS LEFT OPEN

Operation with the air controls or appliance dampers open can cause excess smoke. The appliance must not be operated with air controls, appliance dampers or door left open except as directed in the instructions.

Document continues overleaf...



3. OPERATING INSTRUCTIONS

THE FOLLOWING OPERATING INSTRUCTIONS SHOULD BE STRICTLY ADHERED TO.

All local regulations, including those referring to national and European standards need to be complied with when installing the appliance.

The Panoramic FX1 is designed as a closed wood-burning stove and only well-seasoned logs should be used.

LIGHTING PREPARATION

It is recommended that windows and doors are opened when lighting the stove for the first time. Ensure that firebricks and other internal components are in position and that all packaging has been removed.

The process for lighting the stove is as follows:

Please leave the door ajar for approx the first 3 mins of combustion to establish a strong flame.

- a) Ensure that the bottom air control is open fully
- b) Put some paper/newspaper and a limited number of firelighters as required at the back/bottom of the stove. Place some small pieces of wood on top of the paper and larger pieces on top of this. When ready, light the paper and ensure that the door is fully closed and locked after the first three minutes of combustion when a strong flame should be established.
- c) Once the wood is fully lit, then bigger pieces of wood can be added, as required.
- d) When the fire is burning well, then regulate the fire with the bottom air control. Do not try to put in too much wood at the start. Aim for a small hot fire.

WARNINGS

Keep the door closed except during ignition, refuelling and removal of residue material.

All parts of the appliance, especially the external surfaces, will be hot to touch when in operation and due care will need to be taken.

Do not make any unauthorised modification of the appliance.



The use of only replacement parts recommended by the manufacturer.

In the event of a chimney fire occurring:

- Dial 999 and ask for the Fire Service (there is no charge).
- Close down the ventilation as much as possible.
- Move furniture & rugs away from the fireplace and remove any nearby ornaments.
- Feel the chimney breast in other rooms for signs of heat.
- If a wall is becoming hot, move furniture away.
- Ensure that access to your attic or roof space is available for the Fire Service as they will want to thoroughly check this area for signs of possible fire spread.

The Panoramic FX1 appliance is not suitable for installation in a shared flue system.

The appliance is capable of intermittent operation only.

TEMPERATURE CONTROL

The temperature that your Panoramic FX1 burns at can significantly impact on its performance.

For example, the most efficient temperature for your stove to burn at is 115 °C – 245°C. Below this level, may result in the inefficient burning of the fuel and could start to build up residue in the chimney and on the glass door at the front. Above this temperature and the heat may cause damage to the Panoramic FX1 and potentially cause a fire hazard with residue in the chimney.

We would recommend the purchase of a wood stove thermometer to ensure that these issues are monitored and addressed.

8 kW output is achieved with the primary air fully open, A typical refueling frequency is 1 hour.

FUEL TO USE

As with other wood burning stoves, seasoned wood needs to be used in the Panoramic FX1. This is wood that has been dried for at least 6-12 months. It should be cut to size and stacked ideally under cover with gaps at the side to allow for wind/drying air.



CLEANING THE GLASS

The glass should be cleaned/wiped with a paper towel ideally after each fire, to avoid residue building up.

SMOKE

Wood can release pollutants into the atmosphere when poor burning techniques are used. The hazards include smoke and carbon monoxide.

VENTILATION

A minimum requirement is that there should be a steady supply of air to the room containing the stove.

Any air inlet grilles need to be so positioned that they are not liable to blockage.

There must be fixed ventilation available.

Refer to the building regs (ADJ) which give the requirements for room heaters of differing outputs.

There should be adequate provision of combustion and ventilation air and air intake grilles supplying combustion air, should be kept free from blockage;

Smoke consists of particles of unburned wood which form as a result of incomplete combustion. It contains harmful pollutants that can trigger coughs, runny noses, headaches and eye and throat irritation. Unburned fuel can also be deposited as creosote in the chimney, providing the potential for a chimney fire. Smoke can also contribute to smog which is carcinogenic.

Carbon monoxide (CO) is generated wherever combustion of a carbon based fuel occurs so that all gas, oil, coal and wood boilers as well as wood burning stoves have the potential to produce dangerous levels of CO gas if installed or operated incorrectly.

The following good practice is suggested:

- Burn small, hot fires - they produce much less smoke than ones that are left to smoulder.
- Burn seasoned wood. This is wood which has been allowed to dry over at least one summer season. Green wood is a major culprit in the creation of creosote.
- Burn logs that are 10–15 cm (4–6 inches) in diameter. Fires burn better with more surface area exposed to the flame.



- Never burn rubbish, plastics, cardboard, glossy paper or polystyrene.
- Never burn wood that has been taken from salt water. Chlorine combines with the smoke to produce dioxins and furans, which are dangerous carcinogens.
- Never burn treated or painted wood, particulate-board or plywood.
- Store wood outside, off the ground and covered. Bringing green wood indoors to dry can promote the growth of allergy-causing mould spores circulating indoors.
- Have the Panoramic FX1 installed by a professional and have it inspected and cleaned every year.
- Make sure the fire is getting enough air - check that the air inlet is open wide enough to keep the fire burning briskly, resulting in complete combustion and less smoke.
- Never use liquid fuels.
- Occasional adverse weather conditions may cause a down draught during which it would be best not to use the appliance.

MALFUNCTION

In case of malfunction e.g. overheating, reduce air supply if practical, do not open the door, and keep a safe distance.

NB

The stove is not suitable for burning solid fuel ie. briquettes\ coal\coke\ smokeless fuel.

Note: The above notes on operating your stove should be taken as guidelines only. Each stove installation is unique and the operation of each stove is subject to many variables including; the fuel used, the size of the room, chimney performance, ventilation. As such, the best operation of your stove will be learned through experience only.

MAINTENANCE OF THE PANORAMIC FX1

Maintenance of the Panoramic FX1 should only be undertaken when the stove is completely cold.



REGULAR MAINTENANCE REQUIREMENTS

- External vacuuming of the stove/Clean with a soft brush should be undertaken every day if the stove is in regular use (Do not use any forms of chemical cleaning as this will damage the Panoramic FX1).
- The chimney should be swept at least once a year-this should include an inspection of the firebricks, handles, seals. There is also a need for regular cleaning of the appliance, of the flue gas connector and highlighting the need to check for blockage prior to re-lighting after a prolonged shut down period.
- Ashes should only be removed when the fire is out and has been left to cool completely. A thin layer of ash can be left in the bottom of the stove, as this can help to protect the firebrick underneath and help in the combustion process.
- The internal firebricks may need replacing overtime, but only when they have deteriorated to the point of failing to insulate properly.
- If the glass is blackened with soot, it can easily be cleaned using one of the many specialist stove glass cleaning products available from stove shops.

TROUBLE SHOOTING

SYMPTOM	ACTION
Residue on the Glass resulting in Darkening.	Only use seasoned dry wood. Run the stove at a higher temperature bearing in mind suggested operating conditions.
Smoke in the room when opening door.	Only open the door when there are low flames. Check chimney.
High combustion levels.	Check and replace seals (inc door) if required. Consult chimney sweep.

WARRANTY:

This stove has a five year guarantee covering any defects arising from faulty workmanship during normal use of the stove. The guarantee does not cover parts deemed to be replaceable in the normal usage of the stove. These include: Glass & Door rope seal & Fire Brick linings.



WARRANTY REGISTRATION FORM

PLEASE COMPLETE THE FOLLOWING AND POST TO:

Gen-Fab Ltd,
Swinton Bridge Industrial Estate,
Whitelee Rd, Swinton,
Rotherham, S64 8BH

NAME.....

ADDRESS.....

.....

STOVE SERIAL NO.....

DATE PURCHASED.....

PURCHASED FROM.....

We will record these details on our system, this will validate your guarantee which will be effective from the purchase date for a period of five years.

