



**Holford Landscape 5kw  
External Air  
Wood Burner Cassette Stove  
V1.1  
Installation and Operating  
Instructions**

Please hand these instructions to the stove user when the installation is complete. Leave the stove ready for operation and instruct the user in the correct use of the appliance and operation of controls.

Important: – This product must be installed by a suitably qualified and competent engineer.

Beltane Stoves  
Eurostove Limited  
Unit H1, Mendip Industrial Estate,  
Mendip Road, Rooksbridge.  
Somerset  
BS26 2UG

**PLEASE READ ALL THESE INSTRUCTIONS CAREFULLY!**

For safety reasons it is essential that your stove is correctly installed and operated. Eurostoves cannot accept responsibility for any fault or consequential problems arising through incorrect installation or operation.

## **Beltane Holford Landscape Insert Stove**

**This manual refers to the stove listed above, which is tested in accordance with EN 13240.**

**Thank you for purchasing your new stove from Beltane Stoves. Please read this manual carefully to ensure that you get maximum enjoyment and performance from your new stove and to prevent any potential operational problems. Please note that “all local regulations, including those referring to National and European Standards, need to be complied with when installing this appliance”. For further information on installing and using fireplaces and wood burning stoves, please see the relevant building regulations.**

**These instructions cover the basic principals to ensure the satisfactory installation of your Holford Landscape stove, although detail may need slight modification to suit particular local site conditions.**



**Annual checking and servicing of the appliance and flue by a competent engineer is recommended.**

<b>Section</b>	<b>Page No.</b>
1.List of Components	4
2. Component Identification and Assembly	4
3. Installation Instructions	5
3.1 Warnings and important safety information	5
4 Installation Information	6 - 9
4.1 Chimney	6
4.2 Ventilation	6
4.3 Flue Draught	6
4.4 Connection to Chimney	6 - 7
4.5 Fixings	7
4.6 Material Clearances	7
4.7 Hearths	7
4.8 Commissioning & Handover	9
5. Technical Data	9 - 10
6. Operating Instructions	11 - 15
6.1 Air controls	11
6.2 Cleaning	12
6.3 Fuels	12
6.4 Notes on Wood Burning	12
6.5 Lighting the stove	13
6.6 Re-fueling	13 - 14
6.7 Shutting down	15
6.8 Maintenance	15
6.9 Seasonal Use	15
7. Safety Notes for your Guidance	15 - 16
8. Frequently Asked Questions and Trouble Shooting	16 - 17
9. How to fit the Frame	18

# 1. List of Components

Description of Parts	Qty
Holford Stove Assembly	1
Stove Tool	1
Door Tool	1
Ash Pan	1
Instruction Manual	1
Lower Baffle	1
Stove Operating Glove	1
Touch up paint	1
Warranty Card	1

Fig 1 - Stove Operating Tool

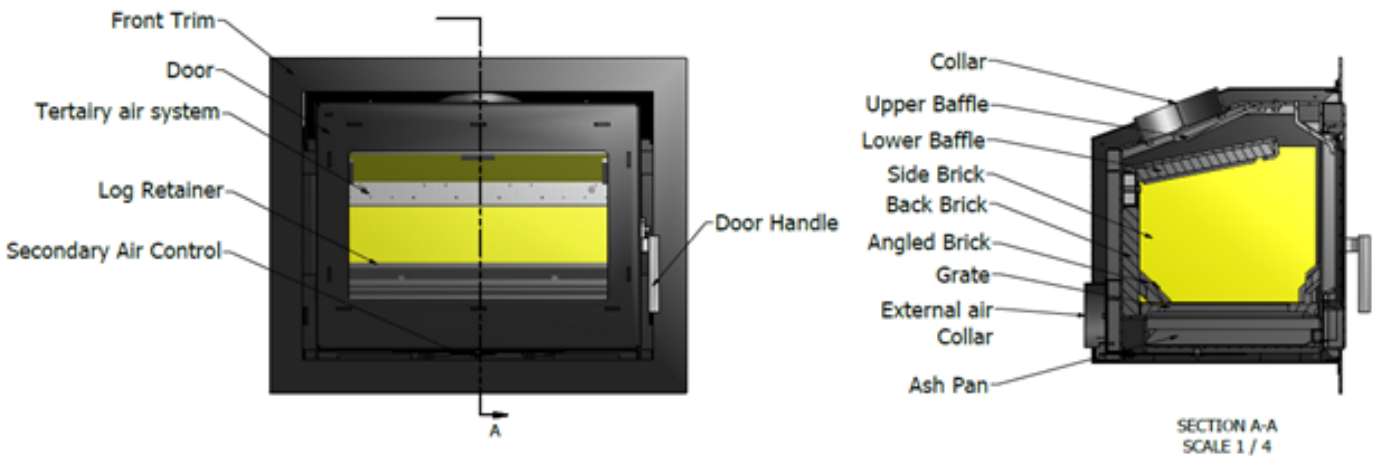
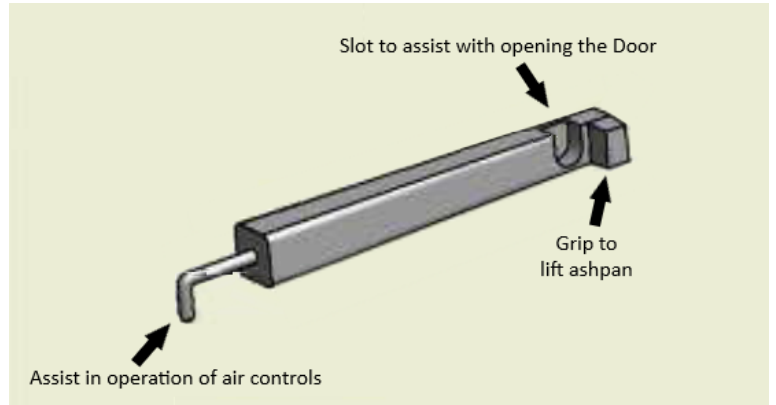


Fig 2 – Stove Assembly and controls

# 2. Component Identification and Assembly

Your Holford Cassette Stove is shipped securely packed and strapped. Carefully remove any straps and remove all wood, cardboard and any plastic packaging, open the door and remove all the contents. See List of Components section and check contents carefully.

- 2.1 To remove the baffle plate, carefully lift the front and slide forward until it drops through the pegs, slide the baffle down and remove through the front door. Then remove the two side firebricks and the two rear firebricks. Handle & store very carefully to one side where they will not get broken.
- 2.2 Now lift and remove the grate from the stove.
- 2.3 Now proceed to install the stove according to these instructions and current installation standards or HETAS advice. The internal parts of the stove can be re-assembled as the reverse of the previous removal instructions.

## **3. Installation Instructions**

### **3.1 Warnings and important safety information**

#### **READ THESE INSTRUCTIONS CAREFULLY BEFORE INSTALLATION**

It is very important to understand the requirements of the National Building Regulations (England and Wales – Document J / Scotland - Part F/Document J (Republic of Ireland only) and standards BS 8303, BS 6461, BS 7566, along with any local regulations and working practices that may apply. Should any conflict occur between these instructions and these regulations then the regulations must apply.

#### **3.1.1 Health and Safety Precautions**

Works must be carried out with care to meet the requirements of Health and Safety (Health and Safety at Work Act 1974) and comply with the Health and Safety rules contained therein, and any new regulations introduced during the lifetime of these instructions.

#### **Handling**

Adequate facilities must be available for unloading and site handling. Eurostoves Cassette Stoves are very heavily built so always ask for assistance when lifting and siting the stoves.

#### **Fire Cement**

Some types of fire cement are caustic and should not be allowed to come into contact with the skin. In case of skin contact, wash immediately with plenty of water.

#### **Asbestos**

This stove contains no asbestos. If there is a possibility of disturbing any asbestos in the course of installation then please seek specialist guidance and use appropriate protective equipment.

#### **Metal Parts**

When installing or servicing this stove, proper care should be taken to avoid the possibility of personal injury.

#### **CO Alarms**

Building regulations require that whenever a new or replacement fixed solid fuel or wood/biomass appliance is installed in a dwelling a carbon monoxide alarm must be fitted in the same room as the appliance. Further guidance on the installation of the carbon monoxide alarm is available in BS EN 50292:2002 and from the alarm manufacturer's instructions.

#### **3.1.2 Important Chimney Warning**

This stove must not be installed into a chimney that serves any other heating appliance.

#### **3.1.3 Extractor Fan Warning**

There must not be an extractor fan fitted in the same room as the stove as this can cause the stove to emit fumes into the room. Ref doc J in building regulations.

#### **3.1.4 Cleaning and Chimney Sweeping**

The appliance, flue & chimney must be cleaned and checked internally and externally regularly in use and especially after a period on disuse (e.g. after summer). Lift down the baffles regularly to check for build-up of soot or debris on the top from the flue pipe. Remove the baffle and check the flue spigot and connector is fully clear at regular intervals. The chimney and flue connector must be swept at least annually, more often when used with sooty fuels or damp wood. Any loose, broken or leaking joints or flue ways **MUST** be repaired immediately.

### **3.1.5 Fuels**

Only use recommended fuels. The appliance can be damaged by burning Petroleum Co, liquid fuels or general rubbish and this will invalidate your warranty and risk personal safety. **The appliance MUST NOT be used as an incinerator.**

## **4.0 Installation Information**

### **4.1 Chimney**

The chimney height and the position of the chimney terminal should conform to **Building Regulations**. Flue heights should be high enough to ensure sufficient draught to clear the products of combustion, minimum height 4.5 meters from the top of the appliance. Check that the chimney is in good condition, dry, free from cracks and obstructions. The diameter of the flue should not be less than 125mm and not more than 200mm. If any of these requirements are not met, the chimney should be lined by a suitable method. The chimney must be swept before connection to the stove.

Where the chimney is believed to have previously served an open fire installation, it is possible that the higher flue gas temperature from the stove may loosen deposits that were previously firmly adhered, with the consequent risk of flue blockage. It is therefore recommended that the chimney be swept a second time within a month of regular use after installation.

If you have any doubts about the suitability of your chimney, consult your local dealer/stockist or chimney specialist. If there is no existing chimney then either a solid fuel compatible prefabricated block chimney or a twin-walled insulated stainless steel flue to BS 1856-1 can be used. These chimneys must be fitted in accordance with the manufacturer's instructions and also please refer to the current issues of British Standards BS EN 15287-1:2007 for design, installation and commissioning of chimneys.

### **4.2 Ventilation / Free Air Requirement**

Air requirement equivalent area. Building regulations Document J, advises that an air supply, permanently open vents, should be installed for appliances:

If design air permeability  $>5.0\text{m}^3/(\text{h}\cdot\text{m}^2)$  then  $550\text{mm}^2/\text{kW}$  of appliance rated output above 5kW

or

If design air permeability  $<5.0\text{m}^3/(\text{h}\cdot\text{m}^2)$  then  $550\text{mm}^2/\text{kW}$  of appliance rated output.

Equivalent air is as measured according to the method in BS EN13141-1:2004

It is unlikely that a dwelling constructed prior to 2008 will have an air permeability of  $<5.0\text{m}^3/(\text{h}\cdot\text{m}^2)$  at 50pa unless extensive measures have been taken to improve air-tightness.

### **4.3 Flue Draught**

A flue draught of minimum 1.2mm to a maximum 2.5mm water gauge (12 to 25 Pascals) is required for satisfactory appliance performance. The flue draught should be checked under fire at high output and, if it exceeds the recommended maximum, a draught stabiliser must be fitted so that the rate of burning can be controlled to prevent over-firing.

### **4.4 Connection to the Chimney**

This appliance is **not** suitable for use in a shared flue. This appliance requires a direct flue connection to the spigot. If practical, an existing fireplace opening can be bricked up or sealed with a register plate and a short length of flue pipe of a minimum 125mm internal diameter may then be used to connect the stove to the register plate in the chimney. This flue pipe should conform to Building Regulations. The stove must be insulated and properly fitted into the fireplace opening by back filling with 6:1 ratio vermiculite & cement mixture using minimal water through the top of the fireplace or flue spigot opening. The surface should be finished using 1:1:8 mix of cement, lime and sand. The connecting pipe is fitted with the spigot pushed up from **inside** the stove and rotated onto its keyhole slots to join to the pipe. Ensure that the pipe end is no closer than 76mm to the side or rear chimney walls.

If necessary a hole must be opened up into the flue way above the fireplace in order to fit the appliance to the flue correctly. Please consult HETAS recommended fitting methods if in doubt. It is **essential** that all connections between the stove and chimney-flue are sealed and made airtight with sealing rope, clamping rings and/or fire cement or heat resisting cement where required.

Both the chimney and flue pipe must be accessible for cleaning and if ANY parts of the chimney cannot be reached through the stove (with baffle removed), a soot door must be fitted in a suitable position to enable this to be done.

In adverse weather conditions, downdrafts may occur causing smoke or fumes to spill into the room. If this occurs the appliance should be shut down as much as possible by closing the air controls and the room should be ventilated to clear the fumes. If the problem persists seek the advice of a chimney sweep.

#### **4.5 Fixings**

Fix the stove to the back hearth using suitable non-combustible fixings through the base of the outer firebox. If necessary screw the outer firebox to the back panel by fixing the top or side flanges using suitable non-combustible fixings.

#### **4.6 Material Clearances**

##### **Safety Distances from Combustible Surfaces:**

<b>Model</b>	<b>Back</b>	<b>Side</b>	<b>Shelf</b>	<b>Floor</b>
5Kw Landscape	25cm	20cm	80cm	45cm

This appliance must be installed in a recess which must not contain any combustible materials. Wooden battens and plasterboard should not be used within the clearance to combustibles.

In addition it is strongly recommended that any furniture or other combustible materials are kept at least 100cm clear from the front of the stove.

##### **Distances from non-combustible materials**

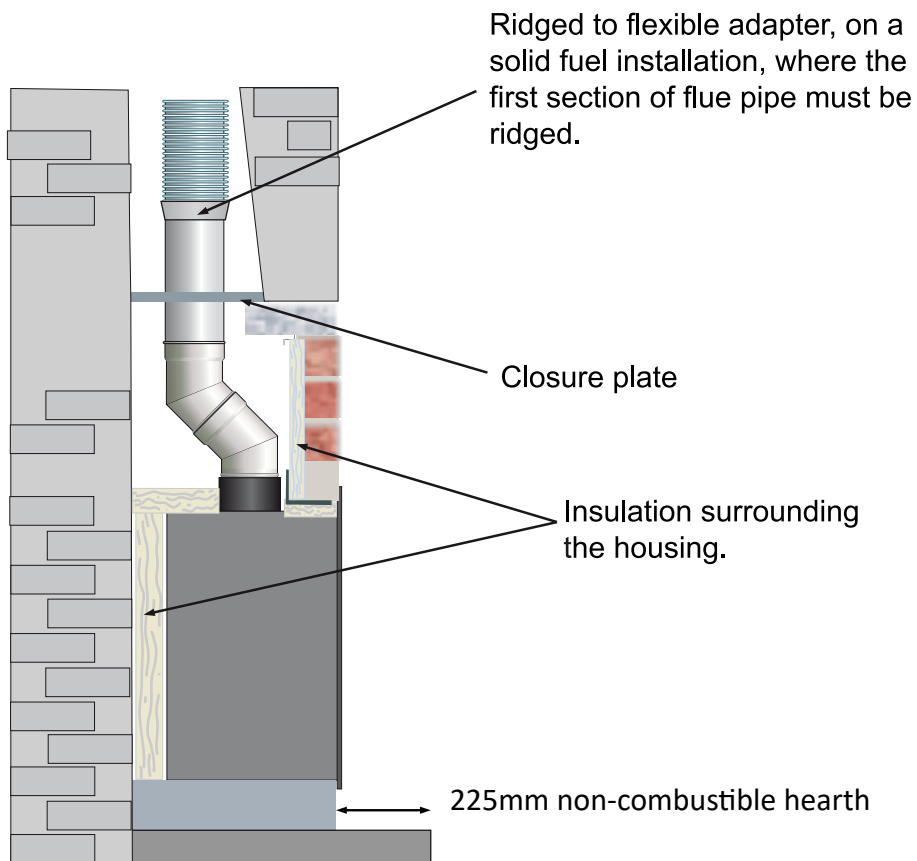
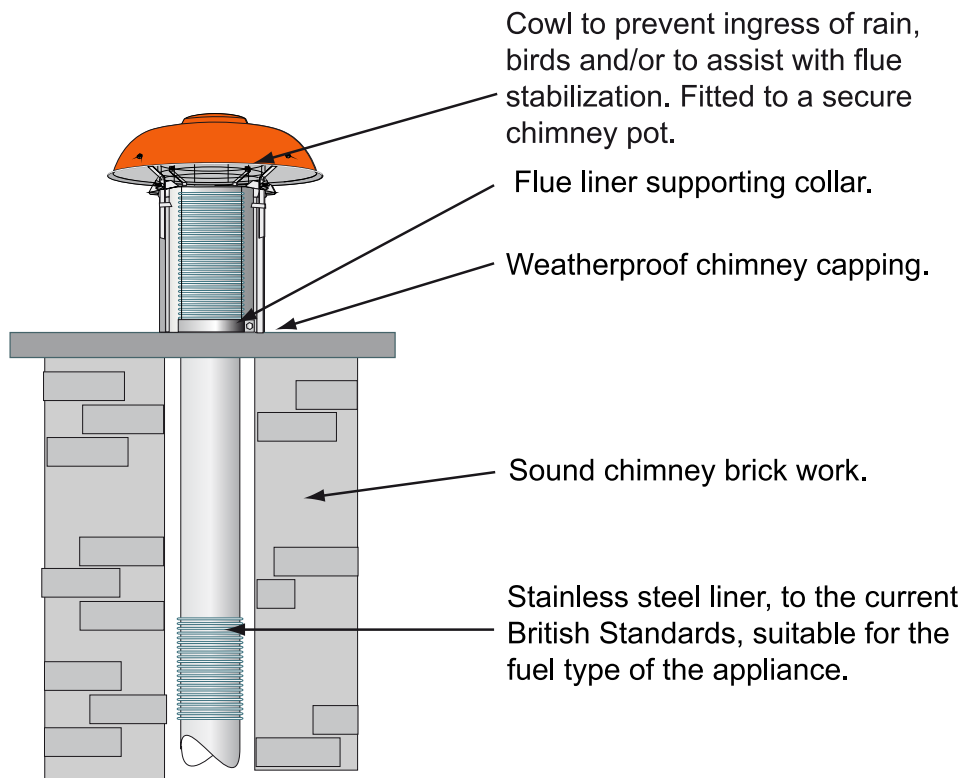
To conform with Building Regulations the fireplace recess walls should be at least 200mm thick. If it is proposed to instal the stove in anything other than a brick or cement block housing it will be necessary to increase the housing size to give a minimum clearance of 200mm after at least three layers of "Glasroc" or similar heat proof, insulating material, have been attached to the housing walls. The stove top and walls may reach over three hundred degrees Celsius when operating and it is possible for the flue to reach even higher temperatures and if there is any doubt as to the ability of the housing to operate safely with the heat produced by the stove, professional advice should be sought.

#### **4.7 Hearths**

This stove require a 125mm thick non-combustible constructional hearth beneath them to protect the building, this can include any solid non-combustible floor. A non-combustible superimposed hearth forming an apron of at least 225mm at the front of the stove and 150mm on either side must also be provided. The superimposed hearth must not be less than 12mm thick and must have a clearly defined edge (change of level) to discourage placing of any combustible materials on or partially over it.

The appliance must be installed on a floor with adequate load-bearing capacity. If the existing construction does not meet this requirement, suitable measures (e.g. load distributing plate) should be provided to achieve it.

## Ideal Installation





## Installing the Stove

Please note that the each installation is unique to the particular household and it is not possible to give recommendations in this manual to cover every situation. The installation must comply with Building Regulations and be completed using “Best Practice” methods.

**Note that most fireplaces have a supporting Lintel. Never remove this without first supporting the remaining structure of the building. The stove of flue system must not be used to support the structure of the building.** The fitting of the cassette stove is different depending on whether the chimney is already lined or not. Note that it is best practice to line every chimney.

### 4.8 Commissioning and Handover

Upon completion of the installation, allow a suitable period of time for any fire cement and mortar to dry out. A small fire may then be lit and checked to ensure the smoke and fumes are taken from the stove up the chimney and emitted safely to atmosphere.

A notice plate should be filled out with indelible ink and located either (A) next to the electricity consumer unit, (B) next to a gas consumer unit or (C) next to the chimney or hearth.

**Advise the customer not to run the stove at full output for 3 – 4 days.** Explain that the stove can provide much more or less than their rated heat outputs depending upon how much fuel they burn.

On completion of the installation and commissioning, ensure that the operating instructions and operating tools (including glove) for the stove are left with the customer. You must be sure to advise the customer on the correct use of the appliance, along with clear and comprehensive information on any continuing maintenance required for the effective operation of the appliance in order to protect the health and safety of the building occupants. Inform them to use only the recommended fuels for the stove.

### IMPORTANT

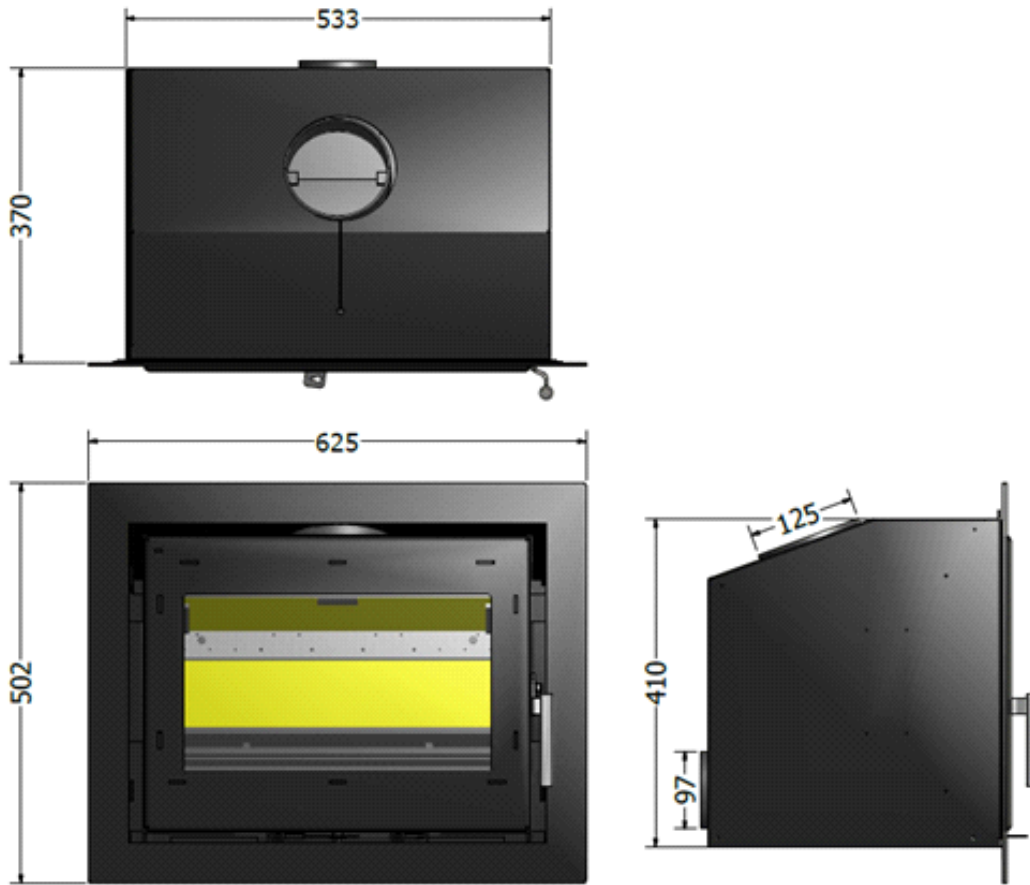
Advise the user on what to do should smoke or fumes be emitted into the room from the stove – see **Safety Notes** section. The user should be warned that they **MUST** use a suitable fireguard to BS 8423:2002 in the presence of children, aged and/or infirm persons. The glass on the stove is ceramic glass and able to withstand very high temperatures however it is not toughened and a hard impact could cause the glass to break.

Do not use an aerosol spray on or near the stove when it is alight.

## 5. Technical Data

MODEL	Holford Landscape 5kW
Appliance weight (Kg)	90
Efficiency (%) on wood fuel	81.2
Declared nominal output (kW)	4.8
Tested refuelling interval (hr)	1.33
CO @ 13% O <sub>2</sub>	0.11
Dust @ 13% O <sub>2</sub> (mg/Nm <sup>3</sup> )	17
*Flue temperature (Deg C)	240
Flue outlet size (inch)	5
Max log length (mm)	380
Recommended Fuel	Kiln / Seasoned wood with moisture content of less than 20%
*Average reading at nominal output	

## Holford Landscape Cassette Stove Dimensions



## 6 Operating Instructions

This stove should **not** be operated with the doors open. Only when refuelling and where indicated in these instructions should the door be opened.

When used correctly this stove will burn very efficiently, cleanly and with clean glass. However, for this product to work properly it must be used in accordance to these instructions, burning wood fuel of 20% moisture or less.

It is **essential** that the stove has an adequate air supply for combustion and ventilation. The secondary and tertiary air inlets must be kept clear from obstruction.

**Warning!** This appliance will be very **hot** when in operation and due care should be taken when operating the controls. A leather glove & tool is provided to assist safe operation. Never allow young children to operate the stove.

### 6.1 Air Controls

#### **Secondary Air (Airwash)**

The Cassette stove has a sophisticated “air wash” system designed to keep the glass clean. This secondary air supply to the stove is controlled via a sliding air control located at the base of the stove, just below the door. If you want clean glass, always leave this control open some way whilst burning unless the stove is being shut right down for a long period. Moving the sliding control towards the wide side of the arrow (to the right) increases the burn rate whilst moving it towards the narrow side (to the left) reduces it.

#### **Tertiary Air**

This appliance is also fitted with a preheated tertiary air system which burns otherwise unburnt gases in the products of combustion thereby improving efficiency, increasing heat output and decreasing unwanted atmospheric emissions. At certain stages of burning you will notice “jets” of flame emerging near the air holes to the rear of the firebox.

#### **Ashpan**

It is essential that you empty the ash pan **every day**. Use the thick end of tool to hook onto and lift the ash pan out of the stove. Replace the empty ashpan in the stove making sure to push it fully into place so that all the ash falls into it. **DO NOT allow ash to build up underneath the bed as this may cause damage to the grate. Never operate the stove without the ashpan in place.**

## **6.2 Cleaning**

**Glass:** Despite the advanced air wash system provided, the glass will still need cleaning from time to time depending on the fuel quality and burning rates used. Never clean glass when the stove is hot. Always use stove glass cleaner or ceramic hob cleaner, which is available from your stove retailer. Apply the cleaner to a cloth and then the glass, **NOTE** do not apply excessively. **PREVENT** any run off which could soak into the rope seals, soot contains acidic particles that can cause corrosive damage to the colour print on the glass. **Glass is not covered under warranty.**

**Outer body:** The outer body simply needs to be dusted from time to time. **DO NOT** use any kind of furniture polish or cleaning agent other than your stove suppliers recommended paint.

**Inner firebox:** Brush the inside of the firebox clean from time to time to check the integrity of the plates and liners etc. It is not normally necessary to re-paint inside the firebox due to the high temperatures that mean that the paint does not have much effect before being burnt off. Steel and vermiculite board liners are resilient firebox materials and will give reliable service without major cleaning or work on the firebox. The liner boards may require replacement fairly regularly depending upon quality of fuel and the type of usage experienced. Lining boards are not covered by warranty, as they are a wearing consumable part.

**Baffle:** It is essential to check the top of the baffle for build up of soot and ash regularly when in use and after a long period of no use. Every three to four months of regular use remove the baffle to ensure that the flue way entrance is clear.

## **6.3 Fuels**

### **Kiln / Seasoned Dried Wood Only**

Burn only seasoned timber products with a moisture content of less than 20%. To obtain this moisture content allow cut wood to dry for at least 12-18 months.

**Do not burn construction timber, treated or painted wood, manufactured board or pallets, firelogs, compressed logs, briquettes, solid fuel.**

## **6.4 Notes on Wood burning**

With a full load of wood, the stove will need to be refuelled approximately every 45 minutes depending on burn rate. Do not stack fuel above the level of the tertiary air inlets at the back of the stove.

Always make sure that flames are visible above the wood after re-fuelling for cleanest burning. Open the air wash full for 4 to 6 minutes to achieve full flames above the fuel. Carefully adjusting the secondary air controls and fuel load will then control the burn rate of the stove. **See also:** section entitled 'Lighting the Stove'.

Wood burns best on a bed of ash and it is therefore only necessary to remove surplus ash from the stove occasionally. **If the grate is completely clear, place a few handfuls of ash into the slots in the grate to help the firebed build up.**

Burn only, kiln dried wood or well-seasoned dried wood, which should have been cut, split and stacked - under protection from rain - for at least 12-24 months with free air movement around the sides of the stack to enable it to dry out. Burning wet or unseasoned wood will create tar deposits in the stove and chimney and will not produce a satisfactory heat output. **Wood that is not properly dry ('dry' is considered to be less than 20% internal moisture content) uses up energy from the burn process to evaporate the water inside the wood thus creating very poor conditions for combustion.** The main cause of burning problems with wood stoves is due to excessively damp wood. Wood can appear perfectly dry on the outside but still contain 40-50% water on the inside. A moisture meter can be purchased from some stove and equipment suppliers if you wish to check your wood source is correct.

## **6.5 Lighting the Stove**

We recommend that you have two or three small fires before you operate your stove to its maximum heat output. This is to allow the paint to cure in steadily and to give a long service life of the paint finish. During this curing in process you may notice an unpleasant smell whilst the finishes finally cure. It is non-toxic, but for your comfort we would suggest that during this period you leave all doors and windows open.

Place two small dry split logs ( $\frac{1}{4}$  split) on the fire bed. Kindling stacked as in the picture which allows combustion air to flow freely and will aid ignition. On top of the kindling two or more non toxic firelighters.



Light the firelighters leaving the secondary air control fully open.

Leave the door slightly ajar on the latch for 5 minutes to enhance initial starting and reduce smoke emission – **DO NOT** leave the stove unattended if the door is left ajar. Allow the fuel to reach a steady burn then close the door, if the fire stalls and dies crack the door open again for a further few minutes. Once you have a good fire bed established across the grate close off slightly the secondary air control. Don't be tempted to overload the fire bed with fuel at the start or close down the air controls too much until the fire is really well established for some time. Once the ignition period is well under way gradually reduce the secondary air wash control opening to establish the burning intensity you require (usually open 25% approx.).

**The stove will get very hot during use and due care must therefore be exercised.  
Please use the glove when operating air controls, door and ashpan.**

## **6.6 Re-fuelling**

When burning wood, the fire will die down as the fuel is consumed. When the flames disappear and the remainder is breaking down into glowing embers it is an appropriate time to consider re-fuelling.

**NOTE:** If the flames disappear and there are still lumps of solid wood left this indicates excessive moisture in the wood or insufficient air supply/flue draught.

**NOTE:** To eliminate unwanted smoke emission, after loading new logs on to the fire, open the secondary air wash control up fully for 5-6 minutes to boost the fire and get flames issuing from the top of the fuel as soon as possible. When flames are well established, reduce the air wash to the running setting required. Burning without flames above the fuel will create unnecessary smoke. Do not load fuel above the tertiary air inlet holes at the back of the firebox.

Loading 1 to 2 medium sized logs will produce a good output with reasonable burn time, generally small logs will burn up quicker producing a high output for a short time and a large log will take longer to burn and produce less output over a given time. These appliances are approved for intermittent operation on wood (0.75 to 1.5 hour burn cycles). The fire will then often need reviving by first de-ashing and then using small pieces of wood and plenty of air, the primary air control may need to be opened for a short period, to get flames issuing from the wood again.

**The stove is only suitable for intermittent use only: do not run overnight or for long periods unattended**

**USE OF HOUSE COAL AND PETROLEUM COKE ARE NOT SUITABLE FOR THIS STOVE; ITS USE WILL INVALIDATE THE GUARANTEE.**

## **BURNING WOOD IN A SMOKE CONTROL AREA**

You must purchase a smoke control version of the Mendip stove which is modified slightly to comply with regulations. Any change to this modification will invalidate the stoves compliance for smoke control areas.

### *The Clean Air Act 1993 and Smoke Control Areas*

*Under the Clean Air Act local authorities may declare the whole or part of the district of the authority to be a smoke control area. It is an offence to emit smoke from a chimney of a building, from a furnace or from any fixed boiler if located in a designated smoke control area. It is also an offence to acquire an "unauthorised fuel" for use within a smoke control area unless it is used in an "exempt" appliance ("exempted" from the controls which generally apply in the smoke control area).*

*In England appliances are exempted by publication on a list by the Secretary of State in accordance with changes made to sections 20 and 21 of the Clean Air Act 1993 by section 15 of the Deregulation Act 2015. In Scotland appliances are exempted by publication on a list by Scottish Ministers under section 50 of the Regulatory Reform (Scotland) Act 2014. Similarly, In Northern Ireland appliances are exempted by publication on a list by the Department of Agriculture, Environment and Rural Affairs under Section 16 of the Environmental Better regulation Act (Northern Ireland) 2016. In Wales appliances are exempted by regulations made by Welsh Ministers.*

*Further information on the requirements of the Clean Air Act can be found here: <https://www.gov.uk/smoke-control-area-rules>. Your local authority is responsible for implementing the Clean Air Act 1993 including designation and supervision of smoke control areas and you can contact them for details of Clean Air Act requirements.*

*The Ashcott Wide has been recommended as suitable for use in smoke control areas when burning wood logs. The appliance must be fitted with a permanent stop to prevent closure of the secondary air controller beyond 5mm open. , Fig 3, alterations should not be attempted.*

*Beltane smoke control stoves should not be burnt with the door left open.*

### **The refuelling procedure : -**

Allow the newly charged fuel to burn with the secondary air control set at maximum for up 3 to 4 minutes. After this period, with flames from the logs fully established, close the secondary air supply to the low output setting. When operating at high output (secondary air set fully open) the new refuel charge does not require any boost air to establish combustion.

### **Refuelling on to a low fire bed**

If there is insufficient burning material in the firebed to light a new fuel charge, excessive smoke emission can occur. Refuelling must be carried out onto a sufficient quantity of glowing embers and ash that the new fuel charge will ignite in a reasonable period. If there are too few embers in the fire bed, add suitable kindling to prevent excessive smoke.

### **Fuel Overloading**

The maximum amount of fuel specified in this manual should not be exceeded, overloading can cause excess smoke.

### **Air controls & doors left open**

Operation with the air controls fully open can cause excess smoke. The appliance must not be operated with air controls, or door left open except as directed in the instructions.

## 6.7 Shutting Down

The stove will normally shut down by itself as the fuel is consumed. In order to shut down the stove for other reasons, close the secondary air control. If the control is left in this position, the fire will eventually burn out. If you want to revive the fire open the secondary air controls fully.

**Warning!** - The stove will remain **very hot** for a considerable time after the fire has died down or been extinguished.

## 6.8 Maintenance

Inspect the inside of the firebox and above the baffle plate every week during use. **See chimney cleaning section in section 3 Warnings and Important Information. Only use manufacturers recommended replacement parts on the appliance**

## 6.9 Seasonal Use

Remove the baffle and inspect the inside of the stove and the flue ways and ensure they are 100% clear after a period of disuse, for example if the stove is not used during the warmer periods of the year. Also set the air controls half open to keep the appliance ventilated and stop the build-up of any moisture inside.

## 7.0 Safety Notes for your guidance

**FIRES CAN BE DANGEROUS** – Always use a fireguard in the presence of children, the elderly or the infirm.

**DO NOT OVERFIRE** – it is possible to fire the stove beyond its design capacity, this could damage the stove, so watch for signs of overfiring – if any part of the stove starts to glow red, the fire is in an overfire situation and the controls should be adjusted accordingly. Never leave the stove unattended for long periods without first adjusting the controls to a safe setting – careful air supply control should be exercised at all times.

Any unauthorised modifications of this appliance will render the guarantee null and void and could be potentially dangerous. Replacement parts should only be sourced from Eurostoves approved dealers.

### **CO ALARMS**

Building Regulations require that whenever a new or replacement fixed solid fuel or wood/biomass appliance is installed in a dwelling a carbon monoxide alarms must be fitted in the same room as the appliance. Ref: Building Regulations Doc J. Further guidance on the installation of the carbon monoxide alarm is available in IS EN 50291-1:2010/A1:2012 and from the alarm manufacturer's instructions.

**Provision of an alarm must not be considered a substitute for either installing the appliance correctly or ensuring regular servicing and maintenance of the appliance and chimney system.**

If the alarm sounds unexpectedly, follow the instructions given under "Warning Note" below.

### **WARNING NOTE – FUME EMISSION**

Properly installed, operated and maintained this appliance will not emit fumes into the dwelling. Occasional fumes from de-ashing and refuelling may occur. However, persistent fume emission is potentially dangerous and must not be tolerated.

If fume emission does persist, then the following immediate action should be taken: -

1. Open doors and windows to ventilate room and all people then to leave the premises.
2. Let the fire out.
3. Check for flue or chimney blockage and clean if required.
4. Do not attempt to re-light the fire until the cause of the fume emission has been identified and corrected. If necessary seek expert advice.

The most common cause of fume emission is a flue or chimney blockage. For your own safety these must be kept clean at all times.

## IN THE EVENT OF A CHIMNEY FIRE

- Raise the alarm to let others in the house know.
- Call the Fire Brigade
- Reduce the appliance-burning rate by closing all air controls.
- Move furniture and rugs away from the fireplace and remove any nearby ornaments.
- Place a fireguard or spark guard in front of the stove.

If the wall is becoming hot, move the furniture away. Ensure that the Fire Brigade can gain access to your roof space in order to check this area for signs of fire spread.

## Aerosols

Aerosols are flammable and therefore dangerous to use around a lit stove. Do not use aerosol sprays near your lit stove. The use of any aerosol is dangerous and care must be taken in handling aerosols.

## 8 Frequently Asked Questions

**1. Do stoves require a chimney?** All of our multi fuel and wood burning stoves require a suitable lined chimney or professionally installed flue system.

**2. How do I clean the chimney?** You will require a chimney sweep to clean the chimney. It is essential to provide a dedicated chimney cleaning access door when installing the flue of the stove in some situations. In other situations the chimney can be swept through the firebox.

**3. Who should install my stove?** Eurostove want you to enjoy the maximum performance from your appliance. To ensure this, it is essential that they are installed correctly. We strongly recommend that your stove is installed by a suitably qualified and competent engineer.

**4. How do I regulate the heat output?** Each stove has various air controls, which will allow you to easily regulate the heat output and refueling rate.

**5. What warranty do I get?** Eurostove will replace, free of charge, any working part that fails (under normal operating conditions) within 12 months of purchase. **Consumables such as glass, firebox lining boards or stove rope and adhesives are not guaranteed. A call out charge will apply if our engineer attends any stove problem that is not related to product failure.**

**6. Where can I get spare parts?** Your local Eurostove retailer will be pleased to supply spare parts and to provide any other information you require.

**7. Can the doors be left open while burning?** No, for safety and heat efficiency the doors should remain closed.

**8. Why is the stove smoking when lit?** A cold flue and one with back draught problems is almost certainly the cause of a smoking stove. Also check adequate ventilation is present. A qualified fitter should complete both a smoke pressure and flow test prior to fitting the stove to ascertain the integrity of the flue.

**9 Why should I "Run in" my stove?** To begin, light a series of small fires over a period of a few days to allow the paint finish to cure and any surrounding plaster work to dry. The stove is finished with a highly heat resistant paint. The finish can be renovated with stove paint available from your local stove retailer. If the stove is not "run in" correctly, this may cause the paint to discolour and flake.



**10 What is Over Firing?** Your stove should never be used in a manner to cause over firing. Over firing can be caused by over loading the stove with fuel, and operating with primary controls left open once the fire has established. If any part of stove glows "red" your stove is over firing and your draught control should be adjusted to restrict airflow to stove. Over firing can cause permanent damage to the appliance, which is not covered by warranty.

## **TROUBLE SHOOTING**

### **1. Fire Will Not Burn - check**

- a) that chimney and flue ways are clear.
- b) that a suitable fuel is being used.
- c) that there is an adequate air supply into the room.
- d) that an extractor fan is not fitted in the same room as the fire.

### **2. Fire Blazing Out Of Control - check**

- a) the doors are tightly closed.
- b) the air controls are turned down to the minimum setting.
- c) a suitable fuel is being used.
- d) the door seals are in good condition.
- e) the chimney draft may be too strong.
- f) check ash pan seal.
- g) check for ash below ash pan causing pan to seat incorrectly and clean out.

### **3) Soot forms on the window**

- a) The firewood may be too wet.
- b) the intake of secondary air may be insufficient.
- c) fire not hot enough.

### **4) The stove fails to heat fully**

- a) The firewood may be too wet.
- b) the intake of secondary air may be insufficient.

### **5) Smoke or odour**

- a) weak chimney draft.
- b) check for blockages in the flue pipe/chimney.
- c) check the height of the chimney relative to the surroundings.

### **6) Soot in the chimney**

- a) The firewood may be too wet.
- b) intake of secondary air may be insufficient.

## **Annual service**

The inside of the stove should be serviced /cleaned once a year. To clean the inside, remove all ash, soot and tar residue from the combustion chamber. Remove insulated chamber panels and baffle, dirt and soot will collect behind it and this must be cleaned out. Check the quality of all insulated panels and replace any which are damaged or cracked, replace stove door rope cord in the door. Check glass is correctly positioned. The stove, the flue pipe connection and the chimney should be checked regularly by a qualified engineer. The chimney should also be checked for blockages before relighting the stove if it has not been used for an extended period of time. The paint/ lacquer can wear thin in exposed places due to overheating. This, and other lacquer damage, may be repaired using Senotherm paint/lacquer spray available from your Beltane dealer.

## Beltane Holford Frames - How to fit

The 3 and 4 sided frame for a Beltane Holford fits on the inside face of the outer casing of the stove body. There are tension clips on each side of the body to ensure the frame when knocked in completely is securely located.

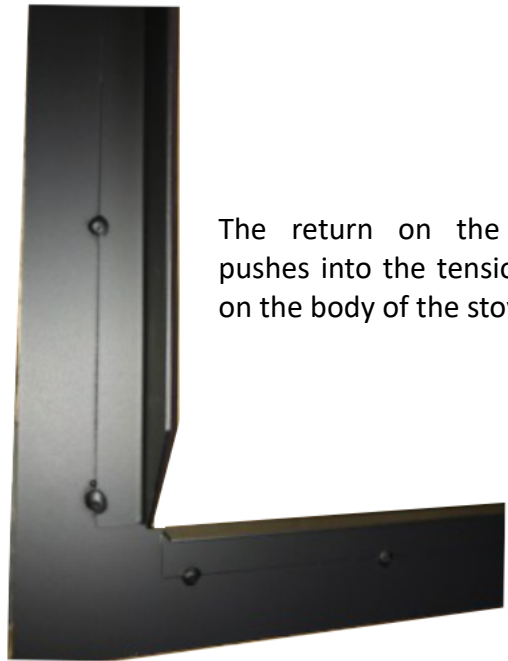
1) Ensure stove is fitted flush or 1 mm in front of opening. Stove flange must be in line or 1 mm in front of surrounding wall.

2) Locate frame by pushing the frame into place inside tension clips each side and make sure it is located fully home / pushed in until flush with stove body . It easier to locate side flanges of the frame from the bottom first.

The frame is now fitted.



**Tension clip on side of the body**



The return on the frame pushes into the tension clips on the body of the stove.

Push the frame onto the body until it is flush fit.



## Stove Commissioning Checklist

Please complete the form below as it will be of great assistance in the unlikely event that there is a problem with the stove or a warranty claim needs to be made. Please contact the installer or dealer if there is a problem.

### Retailer from whom the appliance was purchased

Name: .....

Address: .....

.....

Telephone Number: .....

### Complete upon stove installation

Date of Installation: .....

Model Number: (Holford Landscape 5Kw) .....

Serial Number: .....

### Fitting Engineer

Name: .....

Address: .....

Telephone Number: .....

### Commissioning Checklist – Installer to complete and sign-off

Stove correctly flued according to building regulations

Flue swept and integrity of flue verified

Smoke test completed on installed stove

Spillage test completed

Use of appliance and operation of controls explained to end-user

Check that specified clearance to combustibles has been adhered to

Instruction manual handed to end-user / Notice plate completed and fixed into position.

Installer Signature: .....

Installer Name (print): .....



**ENERG**  
енергия · ενεργεια

Y	IA
IE	IA

Beltane Stoves      Holford

A++		
A+		A+
A		
B		
C		
D		
E		
F		
G		

5,0

kW

ENERGIA · ЕНЕРГИЯ · ΕΝΕΡΓΕΙΑ · ENERGIJA · ENERGY · ENERGIE · ENERGI

2015/1186

Product Fiche

Energy Labelling Directive - (EU) 2015/1187 for Solid Fuel Boilers and Packages of Solid Fuel Boilers, Supplementary Heaters, Temperature Controls and Solar Devices

Manufacturer Name:	Beltane Stoves
Model Name:	Holford
Energy Efficiency Class:	A+
Nominal Heat Output to Room:	5.0
Nominal Heat Output to Water:	0.0
Seasonal Space Efficiency:	106.6
Net Efficiency:	80.4

*Note: The product fiche can cover a number of solid fuel boiler models supplied by the same manufacturer. Please use additional cells containing the information above for more than 1 appliance.*

Comments/Installation/Handover Instruction:

**Beltane Stoves**  
**Eurostove Ltd.**  
**Unit H1, Mendip Industrial Estate**  
**Mendip Road**  
**Rooksbridge**  
**Somerset**  
**BS26 2UG**

**Tel: 01934 750 500**

**www.eurostove.co.uk**

**E-mail : info@eurostove.co.uk**



0691046767899