



Fire Your Imagination

Logic HE™ Range

Conventional Flue



Instructions for Use, Installation and Servicing

For use in GB, IE (Great Britain and Republic of Ireland)

IMPORTANT

THE OUTER CASING, FRONT AND GLASS PANEL BECOME EXTREMELY HOT DURING OPERATION AND WILL RESULT IN SERIOUS INJURY AND BURNS IF TOUCHED. IT IS THEREFORE RECOMMENDED THAT A FIREGUARD COMPLYING WITH BS 8423:2002 IS USED IN THE PRESENCE OF YOUNG CHILDREN, THE ELDERLY OR INFIRM.

This product contains a Heat resistant glass panel. This panel should be checked during Installation and at each servicing interval. If any damage is observed on the front face of the glass panel (scratches, scores, cracks or other surface defects), the glass panel must be replaced and the appliance must not be used until a replacement is installed. Under no circumstances should the appliance be used if any damage is observed, the glass panel is removed or broken.

It is essential that ALL of the screws that retain the glass frame are replaced and tightened correctly. Under no circumstances should the appliance be operated if any of these screws are loose or missing.

These Instructions must be left with the appliance for future reference and for consultation when servicing the appliance. Please make the customer aware of the correct operation of the appliance before leaving these instructions with them.

The commissioning sheet found on Page 3 of this Instruction manual must be completed by the Installer prior to leaving the premises.

Contents

Logic HE Conventional Flue

Covering the following models:

GAS TYPE	LOGIC HE CF					
	Manual Control		Remote Control		Slide Control	
	Coal	White Stones	Coal	White Stones	Coal	White Stones
Nat Gas	101-151	101-324	101-088	101-131	101-037	101-110
LPG	101-497	101-651	101-614	101-649	101-444	101-597

Appliance Commissioning Checklist3

User Instructions4

Installation Instructions11

Technical Specification for White Stone Effect 11

Technical Specification for Coal Effect 12

Site Requirements 15

Installation 17

Commissioning26

Servicing Instructions.....27

Fault Finding.....27

How to replace parts30

Basic spare parts list - White Stone Effect.....39

Basic spare parts list - Coal Effect40

Service Records41



To receive your Extended Warranty your Gazco appliance must have been purchased from our Expert Retailer Network and registered within one month of purchase or installation. Please note that all warranties are effective from the date of purchase. Any Gazco product purchased outside of our Extended Retailer Network, or not registered within the stated time will carry a standard 12 month warranty.

It is a condition of the Extended Warranty that the installation complies with the relevant Building Regulations and is carried out by a suitably trained and qualified individual (GasSafe in the UK or equivalent in other countries) with the certificate of installation and the Commissioning Report on Page 3 completed and retained by the end user.

Full terms and conditions are detailed in the Warranty Statement on the Gazco website www.gazco.com. In the event of any conflict of information the wording on the website shall prevail.

Important Note: Should any problems be experienced with your product, claims must first be submitted to the Expert Retailer where the appliance was purchased from who will offer immediate assistance or contact Gazco on your behalf.

Appliance Commissioning Checklist

To assist us in any guarantee claim please complete the following information:-

IMPORTANT NOTICE

Explain the operation of the appliance to the end user, hand the completed instructions to them for safe keeping, as the information will be required when making any guaranteed claims.

FLUE CHECK	PASS	FAIL
1. Flue Is correct for appliance		
2. Flue flow Test		
3. Spillage Test		
GAS CHECK		
1. Gas soundness & let by test		
2. Standing gas pressure	mb	
3. Appliance working pressure (on High Setting NB All other gas appliances must be operating on full	mb	
4. Gas rate	m ³ /h	
5. Does Ventilation meet appliance requirements N/A		
SAFETY CHECK		
1. Glass checked to ensure no damage, scratches, scores or cracks.		
2. Glass frame secured correctly and all screws replaced		

RETAILER AND INSTALLER INFORMATION

Retailer	Installation Company
.....
.....
Contact No.	Engineer
Date of Purchase	Contact No.
Model No.	Gas Safe Reg No.
Serial No.	Date of Installation
Gas Type	

User Instructions

Welcome

Congratulations on purchasing your Logic HE fire, if installed correctly Gazco hope it will give you many years of warmth and pleasure for which it was designed.

The purpose of this manual is to familiarise you with your appliance, and give guidelines for its installation, operation and maintenance. If, after reading, you need further information, please do not hesitate to contact your Gazco retailer.

WARNING



In the event of a gas escape or if you can smell gas, please take the following steps:

- Immediately turn off the gas supply at the meter/emergency control valve
- Extinguish all sources of ignition
- Do not smoke
- Do not operate any electrical light or power switches (On or Off)
- Ventilate the building(s) by opening doors and windows
- Ensure access to the premises can be made

Please report the incident immediately to the National Gas Emergency Service Call Centre on 0800 111 999 (England, Scotland and Wales) , 0800 002 001 (N. Ireland) or in the case of LPG, the gas supplier whose details can be found on the bulk storage vessel or cylinder.

The gas supply must not be used until remedial action has been taken to correct the defect and the installation has been recommissioned by a competent person.

1. General

- 1.1 Installation and servicing must only be carried out by a competent person whose name appears on the GasSafe register. To ensure the engineer is registered with GasSafe they should possess an ID Card carrying the following logo:



- 1.2 In all correspondence, please quote the appliance type and serial number, which can be found on the data badge adjacent to the control knob.
- 1.3 Do not place curtains above the appliance: You must have 300mm (1') clearance between the appliance and any curtains at either side.

- 1.4 No furnishings or other objects should be placed within 1 metre of the front of the appliance.
- 1.5 If a shelf is fitted, a distance of 400mm above the appliance is required.
- 1.6 If any cracks appear in the glass panel do not use the appliance until the panel has been replaced.
- 1.7 The decorative front will become hot during normal use and should be treated as a working surface. It is recommended that a suitable fireguard be used for the protection of young children and the infirm.
- 1.8 This product is guaranteed for 5 years from the date of installation, as set out in the terms and conditions of sale between Gazco and your local Gazco retailer. Please consult with your local Gazco retailer if you have any questions. In all correspondence always quote the Model Number and Serial Number.



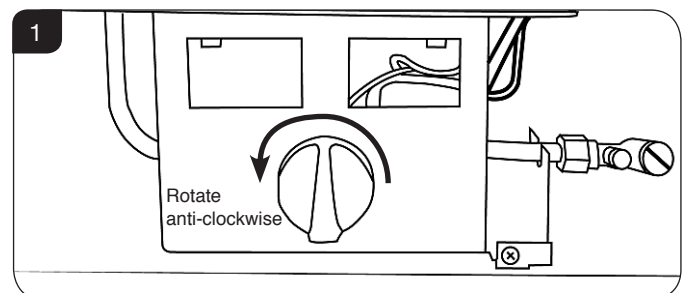
IMPORTANT : NEVER position an LCD/Plasma TV above this appliance.

2. Operating the Appliance

- 2.1 There are three types of control systems available for this appliance:
1. Manually Operated Control
 2. Remote Control
 3. Slide Control
- Follow the relevant section for specific operation.

Manual Control

- 2.2 Locate the control valve on the appliance. It has a single manual control, see Diagram 1:



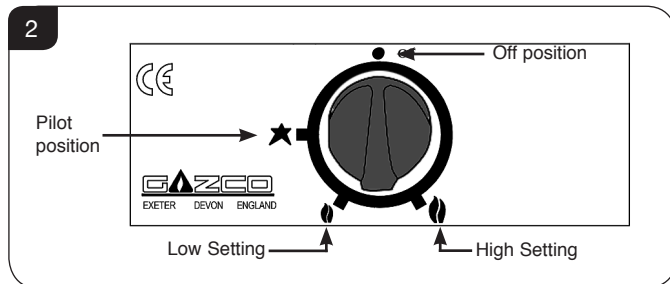
Lighting the Pilot

- 2.3 Push the valve knob in and rotate anti-clockwise until two clicks are heard. The pilot should now be lit
- 2.4 Hold in for a further 10 seconds. When released the pilot should remain lit
- If the pilot does not remain lit, repeat until the operation is successful.

User Instructions

Adjusting the Flame height

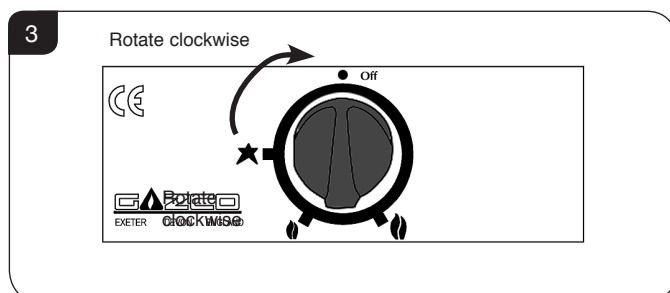
- 2.5 From the pilot position push the valve knob in slightly and rotate anti-clockwise until the first stop point is felt. This denotes the lowest setting.
- 2.6 Push the valve knob in slightly and rotate further in an anti-clockwise direction. The final stop point is the highest setting.



YELLOW FLAMES APPEAR WHEN THE APPLIANCE HAS REACHED SUFFICIENT HEAT – (10 TO 20 MINUTES). IF THE APPLIANCE IS EXTINGUISHED OR GOES OUT IN USE, WAIT 3 MINUTES BEFORE TRYING TO RELIGHT.

Switching OFF the Appliance

- 2.7 To switch the appliance off turn the control knob clockwise until it is returned to the off position, see Diagram 3.



The knob should be upright.

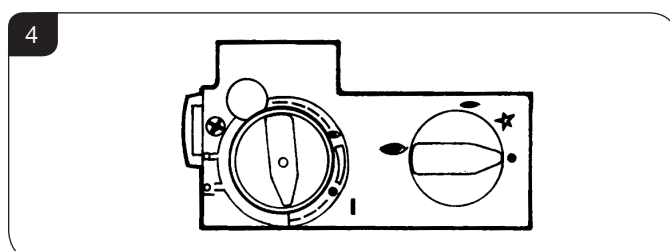
Remote Control

The control valve is at the foot on the right-hand side of the appliance. It has two controls, see Diagram 4:

1. The right-hand knob controls the pilot ignition
2. The left-hand knob controls the main burner

Lighting the Pilot

- 2.8 To start the left-hand and right-hand control knobs must both point to off (●):



- 2.9 Press in the right-hand control knob and rotate anti-clockwise until a click is heard. Continue to press in. The knob points to the pilot (←).

The pilot is lit

- 2.10 Keep the knob depressed for 10 seconds before releasing. The pilot remains lit.

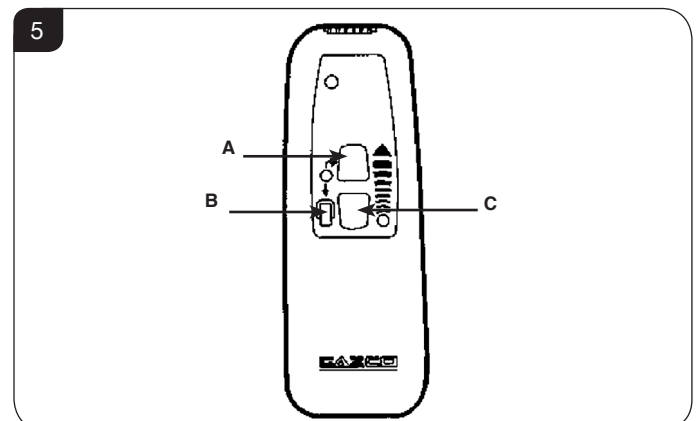
Repeat the above steps if the pilot does not stay lit

NOTE: If the pilot goes out, the Interlock system prevents you lighting again for a short period

- 2.11 If, after repeating the above steps the pilot does not light, contact your Retailer or Installer.
- 2.12 Turn the right-hand control to point to main burner (↔). The appliance can now be controlled by the remote handset.
- 2.13 The Standard remote controls the appliance when:

- the pilot is lit.
- the right-hand control points to main burner (↔) ready to operate position.

It regulates the temperature from low to high and back. It can also turn the main burner off leaving just the pilot burning and ready to operate.



To light the main burner:

- 2.14 Press buttons A & B simultaneously. The remote's LED light flashes to show communication between the appliance's controls and the remote.

Adjusting the Flame height:

- 2.15 Press and hold buttons A & B simultaneously to increase the flame height. A clicking sound indicates that the appliance is at maximum.
- 2.16 Press and hold button C to decrease the flame height. Continue to press C to turn off the main burner.

To make small adjustments to flame height:

- 2.17 Press and hold down button B and press button A once to make a slight increase. This increases the temperature by stages.


Repeat to further adjust.

User Instructions

- 2.18 Press button C once to slightly reduce the flame height.

YELLOW FLAMES APPEAR WHEN THE APPLIANCE HAS REACHED SUFFICIENT HEAT – (10 TO 20 MINUTES). IF THE APPLIANCE IS EXTINGUISHED OR GOES OUT IN USE, WAIT 3 MINUTES BEFORE TRYING TO RELIGHT.


Switching OFF the Appliance

THE REMOTE CONTROL CAN TURN THE MAIN BURNER OFF AND LEAVE THE PILOT BURNING AND READY TO RUN 


- 2.19 To switch off the appliance completely (no pilot burning) return both control knobs to the off position (●).

Remote Control

- 2.20 To turn the main burner of the appliance off using the handset press and keep pressing the Off button (●)

The main burner goes out leaving the pilot burning and ready to operate 

Controls on Appliance

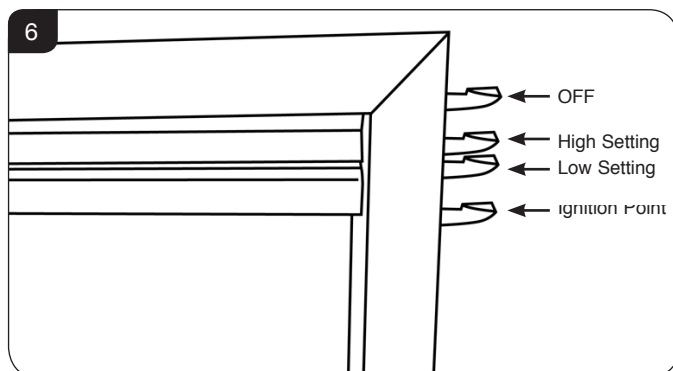
- 2.21 Use the controls on the appliance to turn the appliance off by turning the left-hand control knob until it points to Off (●). A click is heard and the main burner goes out leaving the pilot burning and ready to operate 

CAUTION: IN RARE INSTANCES, NOISES FROM SOURCES OUTSIDE THE REMOTE CAN OPERATE THE MAIN BURNER. IF THIS OCCURS, ALWAYS TURN THE CONTROL TO PILOT (●) OR OFF.

Slide Control

This appliance is operated using the slide control on the top right hand side of the decorative front.

When the appliance is OFF the slide control will be at the highest point, see Diagram 6.



Lighting the Pilot

- 2.22 Push the slide control down as far as possible to its lowest point, see Diagram 6, this is the ignition point.

Keep the slide control pressed down for 5 seconds to ensure the pilot is lit. Then release.

The appliance should light on its lowest setting.

- 2.23 When released the slide control automatically raises to a natural stop point, see Diagram 6.

Repeat the above steps if the appliance does not light.

- 2.24 If, after repeating the above steps the pilot does not light, contact your Retailer or Installer.

Adjusting the Flame height

- 2.25 Increase the flame height and temperature by carefully moving the slide control up until the next stop point is felt, see Diagram 6. This denotes the highest setting.

- 2.26 Carefully move the slide control down to the lower stop point to return to the lowest setting.

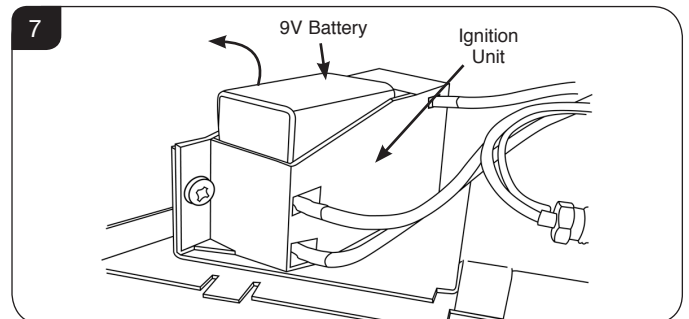
YELLOW FLAMES APPEAR WHEN THE APPLIANCE HAS REACHED SUFFICIENT HEAT – (10 TO 20 MINUTES). IF THE APPLIANCE IS EXTINGUISHED OR GOES OUT IN USE, WAIT 3 MINUTES BEFORE TRYING TO RELIGHT.

Switching OFF the Appliance

- 2.27 To turn the appliance off lift the slide control to its highest stop point, see Diagram 6. The pilot goes out.

3. Changing the Battery (Slide Control Model only)

- 3.1 The battery box is located at the bottom left of the appliance behind the ash cover, see Diagram 7.

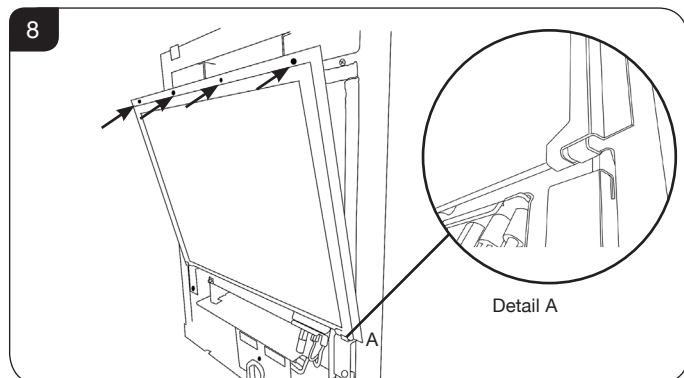


- 3.2 Remove the old battery and replace with a new high quality (Duracell or similar) 9V battery.

User Instructions

4. Cleaning the Appliance

- 4.1 Make sure the appliance and surrounds are cool before trying to clean.
- 4.2 Refer to the separate decorative front instructions to remove the front from the appliance.
- 4.3 Remove the glass frame by unscrewing the 4 screws in the retaining bracket, see Diagram 8.



- 4.4 Lift the glass frame off the lower location tabs, see Diagram 8, Detail A and carefully place to one side.
- 4.5 To clean the glass surface, Gazco recommends you use a ceramic glass product generally sold for cleaning ceramic hobs.
- 4.6 The glass frame must be refitted to the appliance following cleaning or servicing. Ensure that the fibre glass seal on the box is intact, then lower the glass frame into the lower location tabs on the box. The tabs should locate between the glass and the decorative front, see Diagram 8, Detail A.
- 4.7 Secure the glass frame using 4 screws in the retaining bracket, see Diagram 8. Replace ALL of the securing screws ensuring that a screw is present in all fixing slots.

NEVER OPERATE THE APPLIANCE WHEN THE GLASS FRAME IS REMOVED OR BROKEN.

Refer to the separate decorative front instructions to replace the front on the appliance.



UNDER NO CIRCUMSTANCES SHOULD THE APPLIANCE BE USED IF ANY OF THE GLASS FRAME RETAINING SCREWS ARE LOOSE OR MISSING.

White Stone Effect

- 4.8 Remove the white stones and place on a dry clean surface. Do not remove the enamel back panel.
- 4.9 Use a damp cloth and mild non-abrasive cleaner on the enamel back panel.
- 4.10 Carefully clean the burner and tray assembly using a vacuum cleaner with soft brush attachment, ensure all debris is removed from the burner ports.
- 4.11 Replace the white stones by referring to Section 5A.

Coal Effect

- 4.12 Remove the ceramic coals and fuel bed and place on a dry clean surface.
- 4.13 Check the burner cover gasket for damage. Replace any damaged parts with genuine Gazco replacement parts, contact your Gazco retailer.
- 4.14 Carefully clean the burner and tray assembly using a vacuum cleaner with soft brush attachment, ensure all debris is removed from the burner ports.

WARNING: Take care when using a vacuum cleaner on the burner gasket as this is extremely delicate and may deteriorate after use.

- 4.15 Replace the ceramics by referring to section 5B.

5. Arrangement of the Fuel Bed

Advice on handling and disposal of fire ceramics



The fuel effect and side panels of this appliance are made from Refractory Ceramic Fibre (RCF), a material which is commonly used for this application.

Protective clothing is not required when handling these articles, but we recommend you follow normal hygiene rules of not smoking, eating or drinking in the work area and always wash your hands before eating or drinking.

To ensure that the release of RCF fibres are kept to a minimum, during installation and servicing a HEPA filtered vacuum is recommended to remove any dust accumulated in and around the appliance before and after working on it. When servicing the appliance it is recommended that the replaced items are not broken up, but are sealed within heavy duty polythene bags and labelled as RCF waste.

RCF waste is classed as stable, non-reactive hazardous waste and may be disposed of at a licensed landfill site.

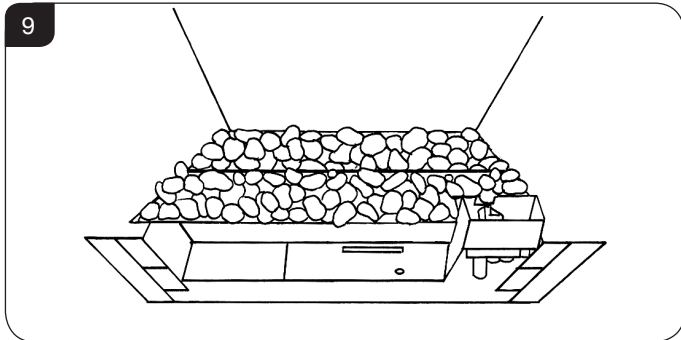
Excessive exposure to these materials may cause temporary irritation to eyes, skin and respiratory tract; wash hands thoroughly after handling the material.

User Instructions

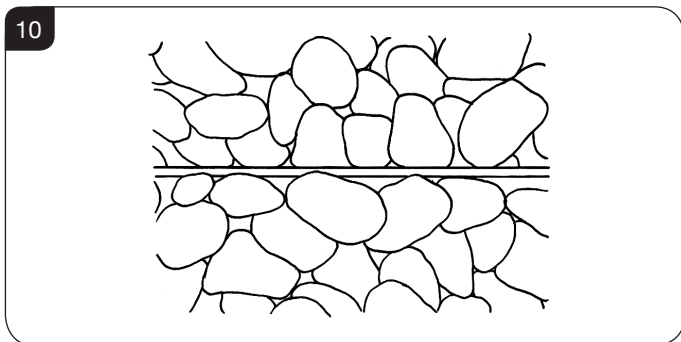
5A. White Stone Layout

ONLY USE THE CORRECT TYPE AND QUANTITY OF WHITE STONES. ALWAYS FOLLOW THE FUEL BED LAYOUT AS STATED IN THESE INSTRUCTIONS. NEVER CHANGE THE LAYOUT FROM THAT SHOWN HERE.

- 5.1 Arrange the white stones in the areas highlighted in Diagram 9. They should be evenly distributed.

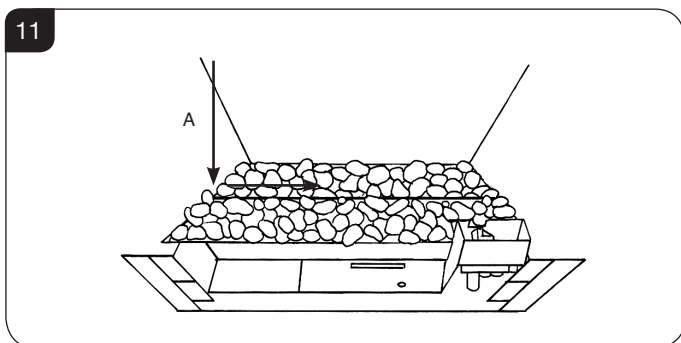


- 5.2 Lean the white stones against the burner ledges to disguise the ledges, see Diagram 10.



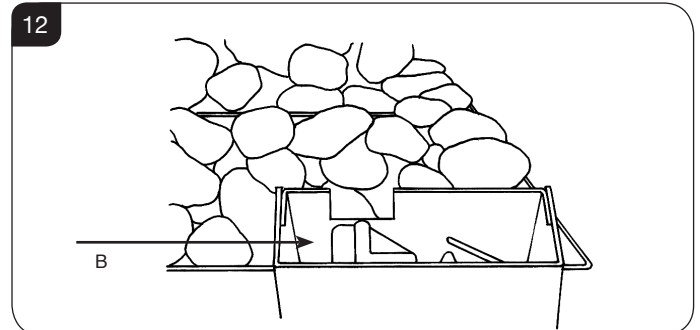
- 5.3 Check that the port area, see Diagram 11, Arrow A is clear of white stones. This can be easily done by gently running a screwdriver or similar object along this area.

NOTE: IT IS IMPORTANT THE WHITE STONES DO NOT COVER THE PORT AREA IN BETWEEN THE BURNER LEDGES.



- 5.4 Ensure that no stones overhang or fill the pilot area, see Diagram 12, Arrow B.

NOTE: STONES SHOULD NOT BE PLACED DIRECTLY IN FRONT OF THE PILOT CROSS LIGHTING FLAME.



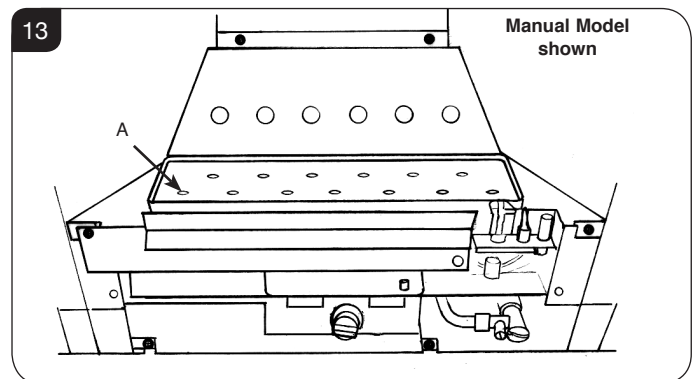
5B. Coal Effect Layout

NOTE: CERAMIC PARTS ARE FRAGILE. HANDLE WITH CARE.

ONLY USE THE CORRECT TYPE AND QUANTITY OF CERAMIC COMPONENTS. ALWAYS FOLLOW THE FUEL BED LAYOUT AS STATED IN THESE INSTRUCTIONS. NEVER CHANGE THE LAYOUT FROM THAT SHOWN HERE.

- 5.5 Ensure the burner cover gasket is positioned on the burner skin ensuring the holes align with the ports.

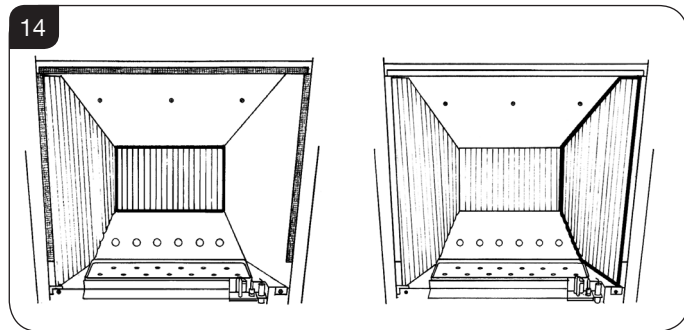
Take care as the front left-hand hole is offset compared to the others, see Diagram 13, arrow A.



- 5.6 Place the rear panel against the rear of the box resting on the shelf.
- 5.7 Slide one of the side panels into the box ensuring it touches the rear panel.
- 5.8 Gently ease the front edge of the side panel behind the flange so it lies flat against the wall of the box.

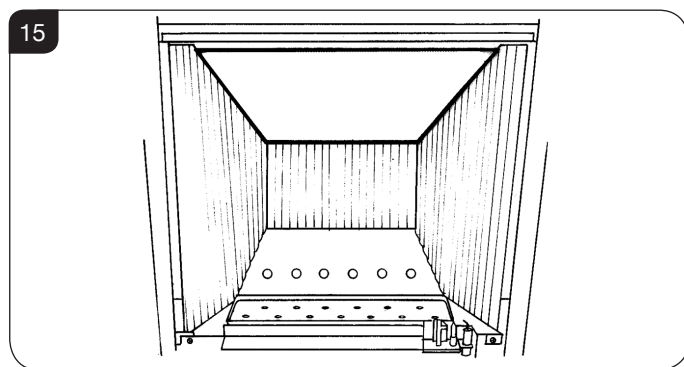
User Instructions

5.9 Repeat with the second side panel, see Diagram 14.

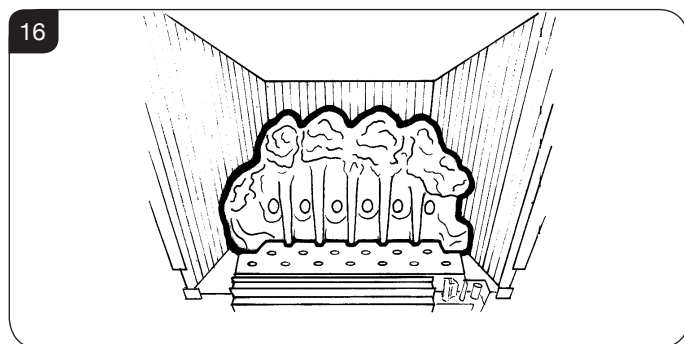


5.10 Locate the top panel on top of the sides and rear by lifting it up and forward inside the box.

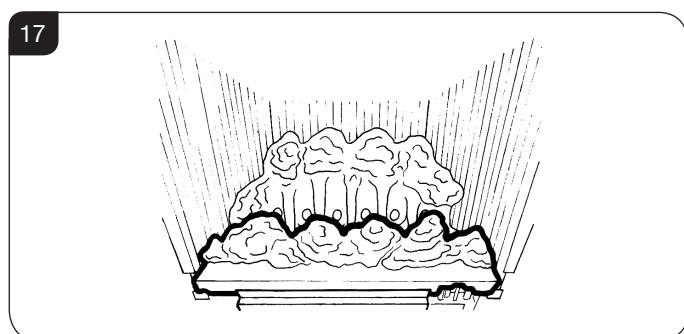
5.11 Slide it backwards and down behind the side panels to rest on the rear panel, see Diagram 15.



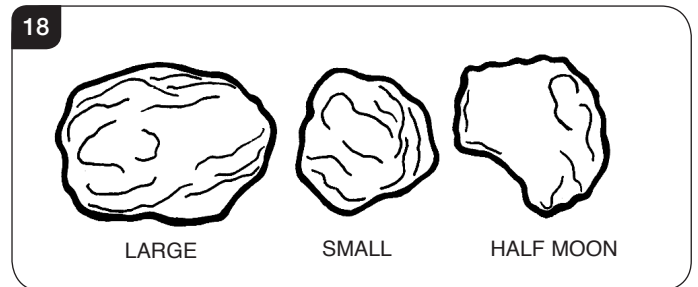
5.12 Position the flame baffle centrally on the tray and ensure the stepped lower edge engages against the rear edge of the burner skin, see Diagram 16.



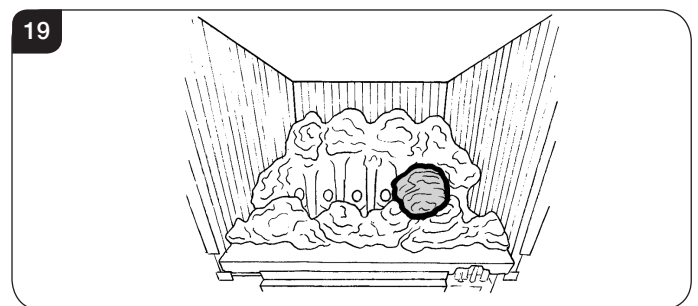
5.13 Place the front coal centrally in the channel at the front of the tray. The relationship between the front coal and the flame baffle is shown in Diagram 17.



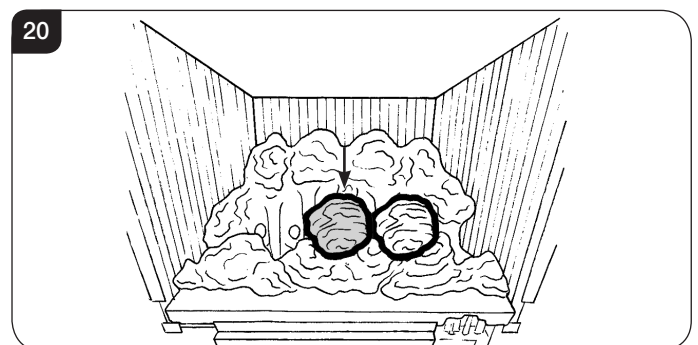
5.14 There are three sizes of coal used: 3 x Large, 4 x Small and 1 x Half Moon shaped. For identification, see Diagram 18.



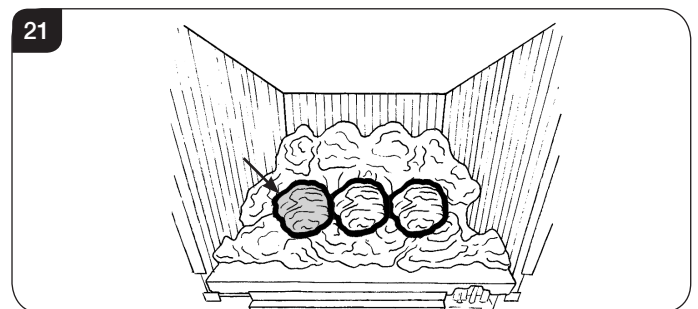
5.15 Place a single large coal in the right hand dent of the front coal resting against the flame baffle, see Diagram 19.



5.16 Place a second single large coal in the middle dent of the front coal resting against the flame baffle, see Diagram 20.

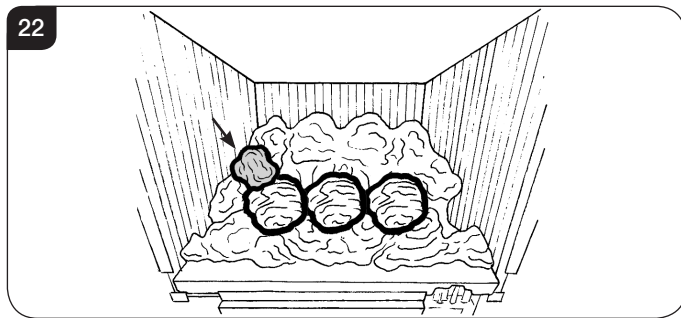


5.17 Place the third large coal next to the first middle coal and against the flame baffle, Diagram 21.

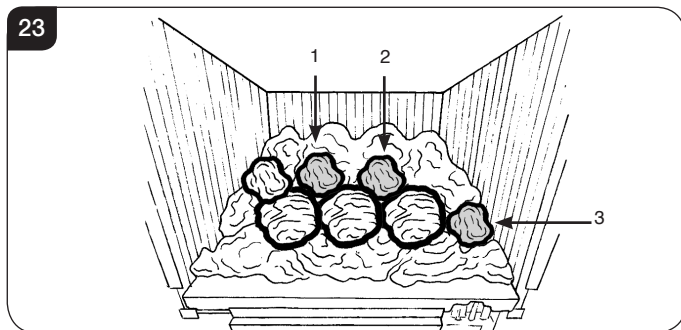


User Instructions

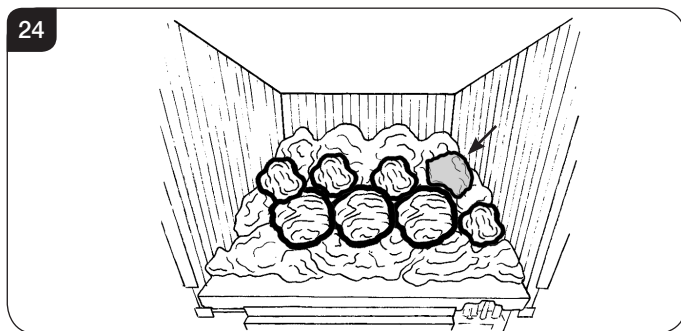
- 5.18 Place a small coal directly behind the first large coal, and rest it on the flame baffle, see Diagram 22.



- 5.19 Place two of the remaining small coals in the spaces next to the first. The final small coal sits at the front right next to the large coals, see Diagram 23.



- 5.20 Finally position the Half Moon coal on the top right as shown, see Diagram 24.



- 5.21 It is essential that gaps are left between the coals to maximise the performance of the appliance.

6. Oxygen Depletion Sensor

The appliance is fitted with an oxygen sensitive pilot system that will act to cut off the gas supply to the appliance should the oxygen in the room fall below its normal level. If the appliance is turned off by this device, it usually indicates that there is a problem with the flue system, and this should be inspected by a qualified engineer. **Do not attempt to use the appliance until an engineer says it is safe to do so.**

This device is not a substitute for an independently mounted carbon monoxide detector.

7. Flame Failure Device

- 7.1 This is a safety feature incorporated on this appliance which automatically switches off the gas supply if the pilot goes out and fails to heat the thermocouple.

IF THIS OCCURS DO NOT ATTEMPT TO RELIGHT THE APPLIANCE FOR 3 MINUTES.

8. Running In

- 8.1 During initial use of a new GAZCO appliance a strong odour will be encountered as various surface coatings become hot for the first time. Although these odours are harmless it is recommended that the appliance is operated on maximum for 4 to 8 hours in order to fully burn off these coatings. After this period the odours should then disappear.

If the odours persists, please contact your installer for advice.

- 8.2 During the first few hours of burning there may be discolouration of the flames. This will also disappear after a short period of use.

9. Servicing

- 9.1 The appliance must be serviced every 12 months by a qualified Gas Engineer. In all correspondence always quote the Model number and the Serial number which may be found on the data badge.

10. Ventilation

- 10.1 Any purpose provided ventilation should be checked periodically to ensure that it is free from obstruction.

11. Installation Details

- 11.1 Your installer should have completed the commissioning sheet at the front of this book. This records the essential installation details of the appliance. In all correspondence always quote the Model number and Serial number.

12. Hot Surfaces

- 12.1 Parts of this appliance become hot during normal use.
- 12.2 Regard all parts of the appliance as a working surface, except for the control access panel and the slider handle (slide control model only).
- 12.3 Provide a suitable fireguard to protect young children and the infirm.

Installation Instructions

Technical Specification - Stone Effect

Covering the following models:

Gas Type	Logic HE Stone Effect		
	Manual Control	Remote Control	Slide Control
Nat Gas	101-324	101-131	101-110
LPG	101-651	101-649	101-597

Model		Gas Cat.	Gas Type	Working Pressure	Aeration	Injector	Gas Rate m ³ /hr		Input kW (Gross)		Country
							High	Low	High	Low	
Logic HE	Manual	I ₂ H	Natural G20	20mb	6 x 6	240	0.390	0.238	4.1	2.5	GB, IE
	Remote										
	Slide										
Logic HE	Manual	I ₃ P	Propane (G31)	37mb	12 x 15	102	0.162	0.090	4.3	2.4	GB, IE
	Remote										
	Slide										
Efficiency 89% (Class 1)											
NO_x Class 4											
Min Flue Size - 5" diameter											
Min Flue Size - pre cast - 90mm x 183mm (16,500mm²)											
Min Flue Specification - T260/N2/0/D/1											
Gas Inlet - 8mm											

i The net efficiency of this appliance has been measured as specified in BS7977-1:2009 and the result after conversion to gross using the appropriate factor from Table E4 of SAP 2009 is 80.2%. The test data has been certified by BSI Testing Services. The gross efficiency value may be used in the UK Government's Standard Assessment Procedure (SAP) for energy rating of dwellings.

Installation Instructions

Technical Specification - Coal Effect

Covering the following models:

Gas Type	Logic HE Coal Effect		
	Manual Control	Remote Control	Slide Control
Nat Gas	101-151	101-088	101-037
LPG	101-497	101-614	101-444

Model	Gas Cat.	Gas Type	Working Pressure	Aeration	Injector	Gas Rate m ³ /hr		Input kW (Gross)		Country	
						High	Low	High	Low		
Logic HE	Manual	I ₂ H	Natural G20	20mb	5 x 16	063	0.486	0.238	5.1	2.5	GB, IE
	Remote										
	Slide										
Logic HE	Manual	I ₃ P	Propane (G31)	37mb	(1) 10 x 16 (1) 23 x 15	150	0.181	0.090	4.8	2.4	GB, IE
	Remote						0.181	0.090	4.8	2.4	
	Slide						0.184	0.090	4.9	2.4	
Efficiency 89% (Class 1)											
NO_x Class 3											
Min Flue Size - 5" diameter											
Min Flue Size - pre cast - 90mm x 183mm (16,500mm²)											
Min Flue Specification - T260/N2/O/D/1											
Gas Inlet - 8mm											

i The net efficiency of this appliance has been measured as specified in BS7977-1:2009 and the result after conversion to gross using the appropriate factor from Table E4 of SAP 2009 is 80.2%. The test data has been certified by BSI Testing Services. The gross efficiency value may be used in the UK Government's Standard Assessment Procedure (SAP) for energy rating of dwellings.

Installation Instructions

Technical Specification

COMPLETE FRONT OPTIONS		
FRONT	Manual & Remote	Slide Control
DESIGNIO	912-396, 912-018	-
DESIGNIO 2	901-493, 901-511, 901-526	901-539, 901-580, 901-643
EVOLUTION	912-601	-
FUTURA	8687BK	-
FUSION	8699GP + 8699IR	-
PROGRESS	912-239	-
TEMPO	912-197, 912-221, 912-316	901-385, 901-403, 901-414
WINCHESTER	8697MB + 8697P	901-369, 901-372
DIMENSION2	912-322	-
STEEL **	8695GP + 8695IR	-
RICHMOND *	8679	-
STOCKTON *	8696	-
YEOMAN *	YM98906	-

FRAME & FRONT COMBINATIONS							
FINISH	Box Profil2 Frame ***		Arts2 Frame ***		Arts Front	Holyrood Front *	Spanish Front *
	Manual & Remote	Slide	Manual & Remote	Slide	All Models	All Models	All Models
Matt Black	912-232	901-272	912-862	901-167	901-425	912-020	912-083
Polished Brass Effect	912-140	901-286	-	-	901-530	912-226	912-160
Polished Steel Effect	912-027	901-299	-	-	-	-	-
Brushed Steel Effect	912-358	901-310	-	-	-	-	-
Polished Brass	-	-	912-508	901-194	-	-	-
Polished Stainless	-	-	912-914	901-206	-	-	-
Brushed Stainless	-	-	912-268	901-214	-	-	-
Highlight Polished	-	-	-	-	901-296	912-257	912-127
Polished Chrome	-	-	-	-	901-476	912-392	912-216

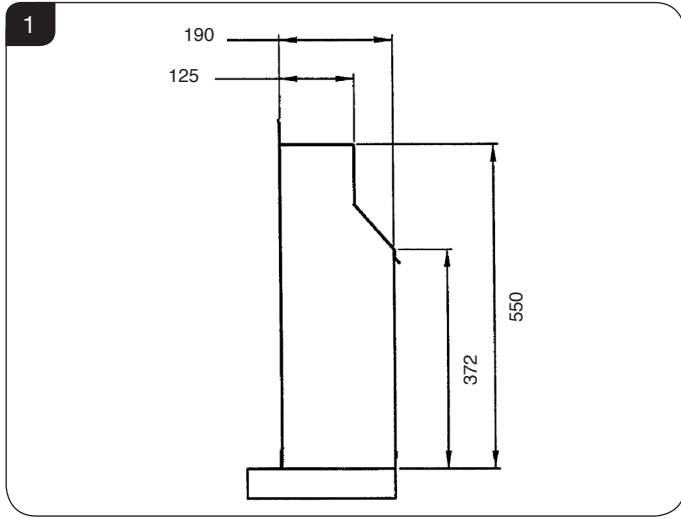
* Not available on the Stone Effect

** Not available on the Coal Effect

*** A Box Profil2 Frame or Arts2 Frame must be used in conjunction with an Arts, Holyrood or Spanish Front

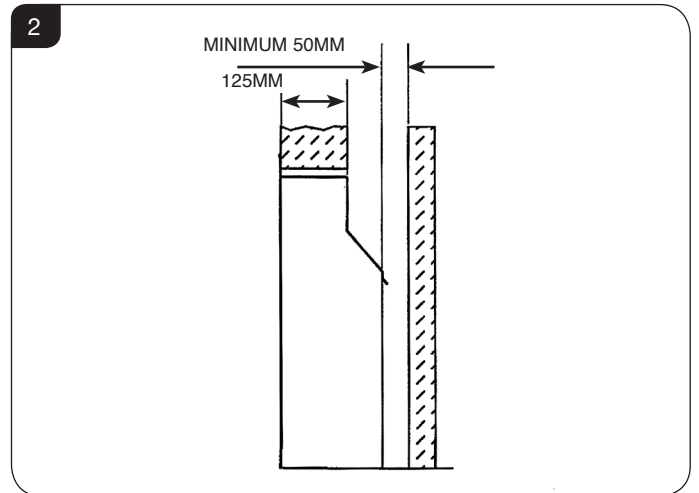
Installation Instructions

Technical Specification

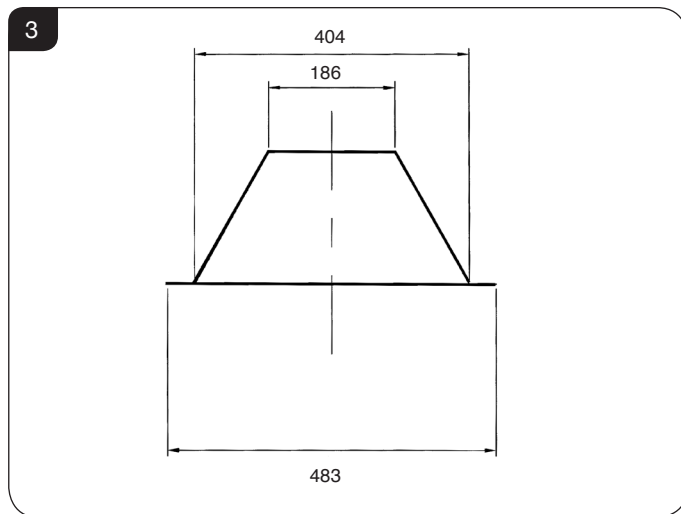


**OVERALL EXTERNAL
DIMENSIONS
SIDE VIEW**

**MINIMUM DEBRIS COLLECTION
SPACE REQUIREMENTS-
(EXISTING MASONRY CHIMNEYS ONLY)**



**OVERALL EXTERNAL
DIMENSIONS
PLAN VIEW**



Installation Instructions

Site Requirements

1. Flue & Chimney Requirements

- 1.1 The chimney or flue system must comply with the rules in force, and must be a minimum of 125mm (5") in diameter. Precast flues must conform to BS1289: 1986. The cross sectional area of the flue must be 16500 mm² with a minimum dimension of 90mm.

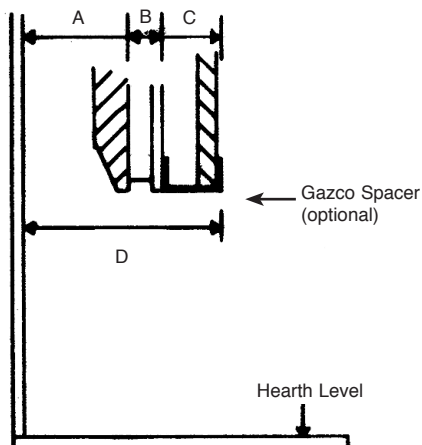
When fitting the appliance to a precast flue, the total minimum depth of appliance opening necessary is (D) 215mm. This allows a 25mm space behind the appliance for debris, required on this type of flue system. This is achieved either by using = (A) a 115mm deep starter block + (B) a 25mm plasterboard and sealed space + (C) 75mm Gazco Spacer (part number 8315) with a marble slip or similar, inserted behind the spacer front flange, see Diagram 1.

Or the total depth can be achieved by using a deeper starter block, remedial building work to the front of the fireplace opening, and a marble slip or similar, or a combination of this.

NEVER PLASTER DIRECT TO THE FACE OF A PRECAST FLUE. USE ADHESIVE TO FIX THE PLASTERBOARD TO THE FACE OF THE FLUE AND FINALLY SKIM THE PLASTERBOARD.

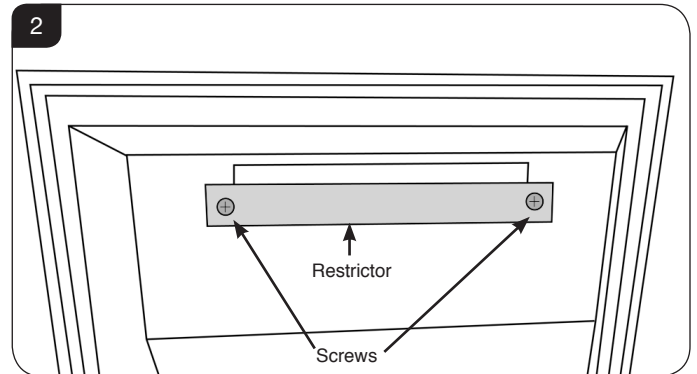
1

- A = Minimum precast flue starter block depth (115mm)
B = Plasterboard and adhesive seal all around appliance opening
C = Gazco Spacer (8315)
D = Minimum total depth including 25mm for debris



The appliance can also be fitted into a metal flue box with a 5" (125mm) diameter flexible liner. In this installation a 1" (25mm) rebated fire surround must be used. Refer to Diagram 2 for dimensions.

- 1.2 A flue restrictor is provided with this appliance. This can be fitted when the flue is equal to or greater than 7" or when the flue pull is excessive, see Diagram 2.



This is fitted from outside the appliance across the outlet at the top of the box with 2 screws provided.

- 1.3 The minimum effective height of the flue or chimney must be 3 m (10ft).
- 1.4 The chimney or flue must be free from any obstruction. Any damper plates should be removed or secured in the fully open position, and no restrictor plates should be fitted.
- 1.5 The chimney should be swept immediately before installing the appliance, but it need not be swept if you can see the chimney is clean and free from obstruction throughout.
- 1.6 Ensure that there is a smooth taper transition from the fireplace opening into the chimney or flue.
- 1.7 The flue pull should be checked prior to installation of the appliance. Apply a smoke pellet to the flue or chimney opening and ensure that the smoke is drawn into the opening. If there is not a definite flow, preheat the chimney for a few minutes and re-test the flow.

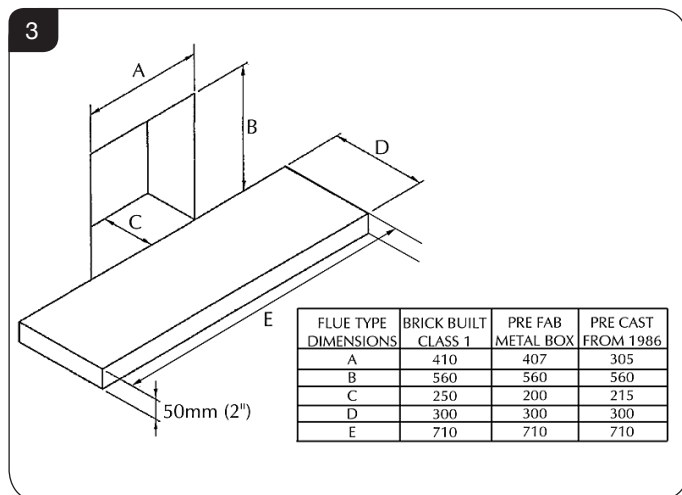
IF THERE IS STILL NO DEFINITE FLOW, THE CHIMNEY MAY REQUIRE ATTENTION - SEEK EXPERT ADVICE.

Installation Instructions

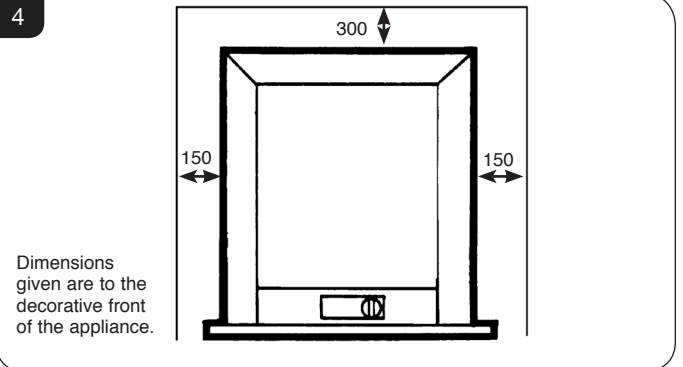
Site Requirements

2. Appliance Location

- 2.1 This appliance must stand on a non combustible hearth that is at least 12mm thick. If the appliance is greater than 50mm above the floor, then no hearth is required, although due consideration should be given to how the heat may affect the floor material.
- 2.2 **NOTE: It is recommended you construct the back panel of the fireplace from natural materials cut into three or more sections to prevent cracking. Resin-based materials may not be suitable. This appliance is an effective heat producer and attention must be paid to the construction and finish of the fireplace.**
- 2.3 It must be fitted into a non-combustible opening.
- 2.4 These appliances must be hearth mounted into a fireplace opening conforming to National Standards. The minimum dimensions shall be as shown in Diagram 3.



- 2.5 Ensure that no naked flame or incandescent part of the fire bed projects beyond the vertical plane of the fireplace opening.
- 2.6 The appliance must not be installed in any room that contains a bath or shower.
- 2.7 Ensure clearances to combustible materials, see Diagram 5.



- 2.8 The maximum depth of combustible shelf is 150mm at a minimum height of 300mm above the decorative front. **Refer to the appropriate Frame Instructions regarding additional wall strengthening for the frame.**

3. Gas Supply

- 3.1 Make sure local distribution conditions (identification of the type of gas and pressure) and the adjustment of the appliance are compatible before installation.
- 3.2 Ensure the gas supply delivers the required amount of gas and is in accordance with the rules in force.
- 3.3 This appliance is supplied complete with a factory fitted isolation device incorporated into the inlet connection, no further isolation device is therefore required.

4. Ventilation

IMPORTANT: Ensure any national ventilation requirements are taken into account during installation of the appliance.

- 4.1 This appliance has a nominal input not exceeding 7.0 kW and therefore does not normally require any additional permanent ventilation. If, however, spillage is detected when commissioning the appliance, there may be insufficient natural ventilation and additional ventilation may be required.

FOR THE REPUBLIC OF IRELAND REFER TO THE RULES IN FORCE FOR VENTILATION REQUIREMENTS.

AIR VENTS MUST NOT BE RESTRICTED.

Installation Instructions

1. Safety Precautions

- 1.1 For your own and other's safety, you must install this appliance according to local and national codes of practice. Failure to install the appliance correctly could lead to prosecution. **Read these instructions before installing and using this appliance.**
- 1.2 These instructions must be left intact with the user.
- 1.3 Do not attempt to burn rubbish on this appliance.
- 1.4 Keep all plastic bags away from young children.
- 1.5 Do not place any object on or near to the appliance and allow adequate clearance above the appliance.

IF THE APPLIANCE IS EXTINGUISHED OR GOES OUT IN USE, WAIT 3 MINUTES BEFORE ATTEMPTING TO RELIGHT THE APPLIANCE.

- 1.6 The appliance is fitted with an oxygen sensitive pilot that will act to cut off the gas supply to the appliance in the event of incorrect operation of the flue. If the system acts to shut off the gas supply, this indicates that there is insufficient flue pull. Continued operation of this safety device means that there may be a serious problem with the flue system, and this should be inspected by a qualified gas engineer. **Do not use the appliance until an engineer says it is safe to do so.** The oxygen sensitive pilot must not be tampered with. Use only genuine Gazco replacement parts when servicing the appliance - refer to Servicing section.



IMPORTANT: REFER TO DATA BADGE AND TECHNICAL SPECIFICATION AT THE FRONT OF THE MANUAL TO ENSURE THE APPLIANCE IS CORRECTLY ADJUSTED FOR THE GAS TYPE AND CATEGORY APPLICABLE IN THE COUNTRY OF USE.

FOR DETAILS OF CHANGING BETWEEN GAS TYPES REFER TO SERVICING, SECTION 10, REPLACING PARTS.

Unpacking

- 1.7 Remove the appliance from its packaging, and check that it is complete and undamaged.

Put the loose ceramic parts to one side so that they are not damaged during installation.

2. Installation of the Gas Supply

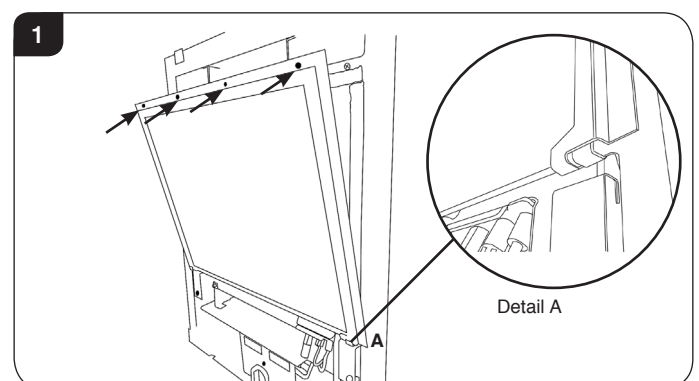
For specific gas types and working pressures see Technical Specifications, pages 11 and 13.

TO CHANGE FROM ONE GAS TYPE TO ANOTHER A COMPLETE ENGINE ASSEMBLY AND DATA BADGE WILL BE REQUIRED. SEE SECTION 10 REPLACING PARTS.

- 2.1 Before installation, ensure that the local distribution conditions (identification of the type of gas and pressure) and the adjustment of the appliance are compatible. See Technical Specification on pages 11 and 12.
- 2.2 Ensure that the gas supply is capable of delivering the required amount of gas and is in accordance with the rules in force. Please refer to the technical specification for the correct working pressure for the gas used.
- 2.3 Soft copper tubing and soft soldered joints can be used but must not be closer than 50mm (2") to the underside of the burner.
- 2.4 An isolation device is provided with the appliance.
- 2.5 All supply gas pipes must be purged of any debris that may have entered, prior to connection to the appliance.
- 2.6 This appliance is intended for use on a gas installation with a governed meter.

3. Preparing the Appliance

- 3.1 Remove the glass frame by unscrewing the 4 screws in the retaining bracket, see Diagram 1.
- 3.2 Lift the glass frame off the lower locations tabs, see Diagram 1, Detail A and carefully place to one side.

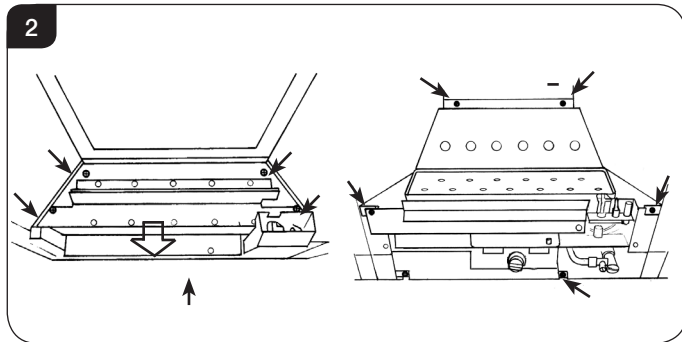


Installation Instructions

Manual Control

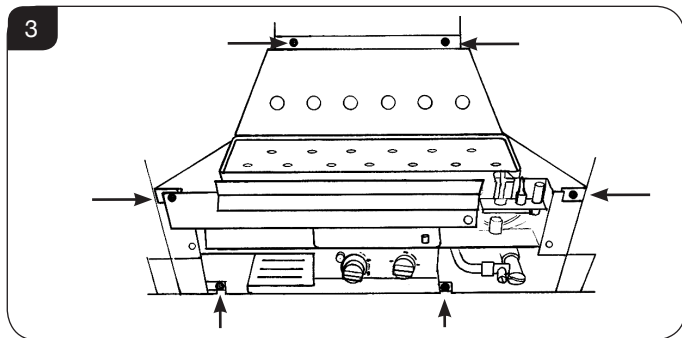
- 3.3 Remove the 5 burner retaining screws and withdraw the burner unit from its location, see Diagram 2.

NOTE: IF REMOVING THE BURNER, IT WILL BE NECESSARY TO REMOVE THE DECORATIVE INNER PANEL, SEE SECTION 6.



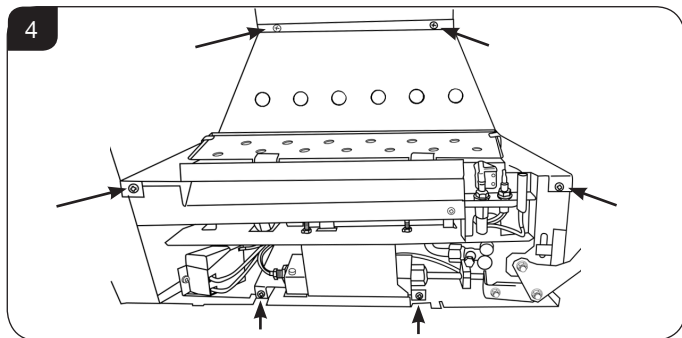
Remote Control

- 3.4 Remove the 6 burner retaining screws and withdraw the burner unit from its location, see Diagram 3, arrows B.

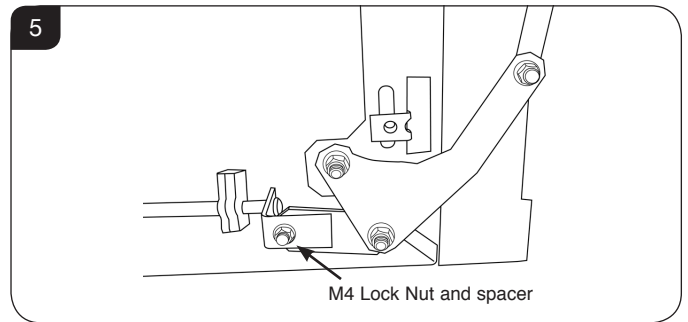


Slide Control

- 3.5 Remove the 6 burner retaining screws, see Diagram 4.



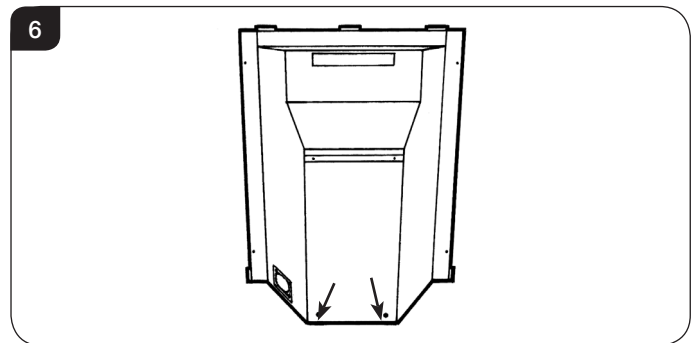
- 3.6 Remove the M4 lock nut and spacer securing the slider arm to the appliance, see Diagram 5.
Ensure that the spacer is retained and replaced when the engine is reinstalled.



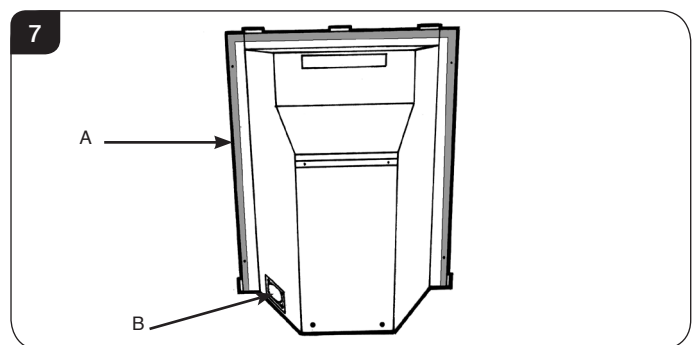
Withdraw the burner unit from its location.
Take care not to catch the slide mechanism.

All Models

- 3.7 Decide on the retention method, if the cable retention kit is to be used then remove the two knockout holes on the rear of the box using a sharp hammer blow, see Diagram 6.



- 3.8 Remove the backing from the self-adhesive silicone sealing strip and apply to the rear flange of the firebox ensuring that it is positioned as close to the outer edge as is practically possible, see Diagram 7, Arrow A.



- 3.9 Gas pipe entry must come through the right-hand side of the box. The rubber seal must be cut using a sharp knife to allow the isolating elbow to pass through it. Ensure the rubber is not damaged when doing this, see Diagram 7, Arrow B.

A means of isolation is provided with the appliance. This must be fitted to the supply pipe prior to installing the firebox.

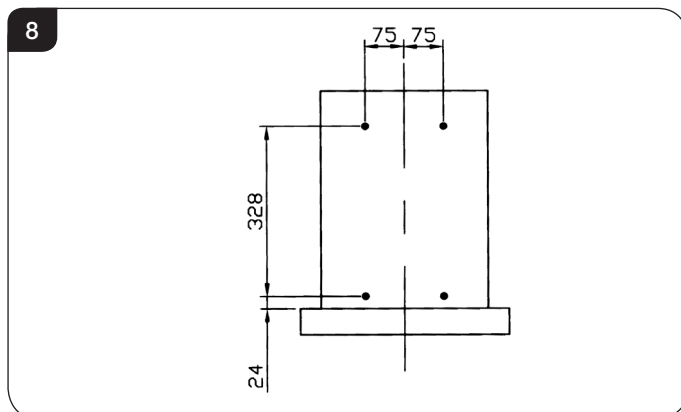
Installation Instructions

4. Installation of the Appliance

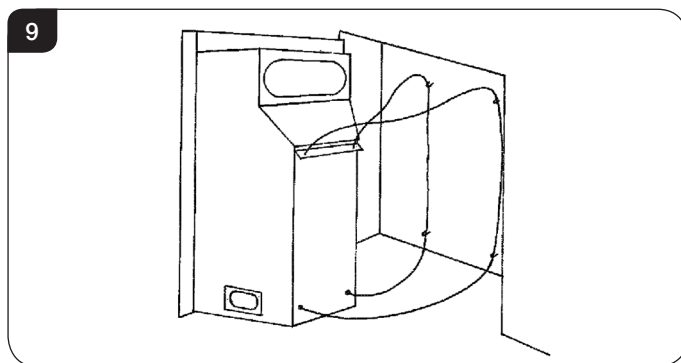
- 4.1 Ensure that the fireplace opening is in compliance with Section 2 Site Requirements then proceed as follows:

A) Cable Retention Method

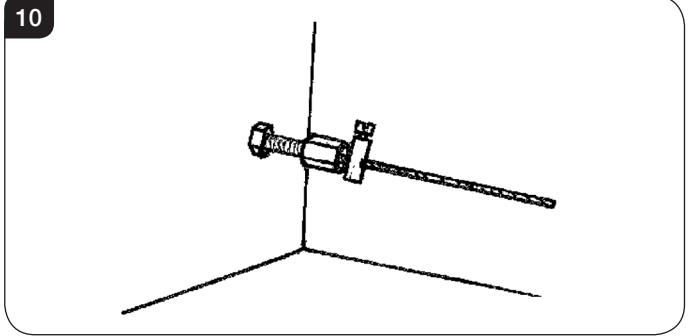
- 4.2 Mark the position of the 4 fixing holes on the rear of the fireplace opening and drill the holes using a 7mm masonry drill bit. Insert the 4 steel expansion plugs and screw the eyebolts in as far as possible leaving the eye horizontal, see Diagram 8.



- 4.3 Pass the 2 cables through the holes in the bracket on the back of the firebox and pull taut so that the stop ends sit tightly against the top of the bracket, see Diagram 9.



- 4.4 Pass the cables vertically through the 2 sets of eyebolts and thread the ends through the holes in the lower back of the firebox. Pass the gas supply pipe through the hole in the rubber seal (refer to section 4.9) and push the appliance into place.
- 4.5 Thread the cables through the tensioner bolts and push the threaded portions through the holes in the firebox so that the lock nut sits against the back wall (ensure that the nut is screwed fully up to the head of the tensioner to allow maximum adjustment).
- 4.6 Slide the locking nipples onto the cables, pull the cables taut and tighten the locking screw. Adjust the lock nuts using a 10mm spanner until the silicone sealing strip forms a tight seal between the fireplace opening and the firebox flange, see Diagram 10.



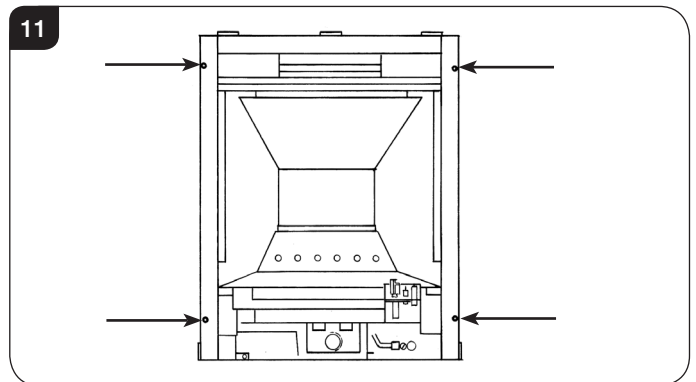
- 4.7 Coil up the surplus cable and locate in the back of the firebox.

NEVER SHORTEN THE CABLES, THEY WILL BE REQUIRED WHEN SERVICING THE APPLIANCE.

- 4.8 Replace the lower cover plate.
Note: The cable adjuster may need to be tucked upward in order to fit the lower cover plate.

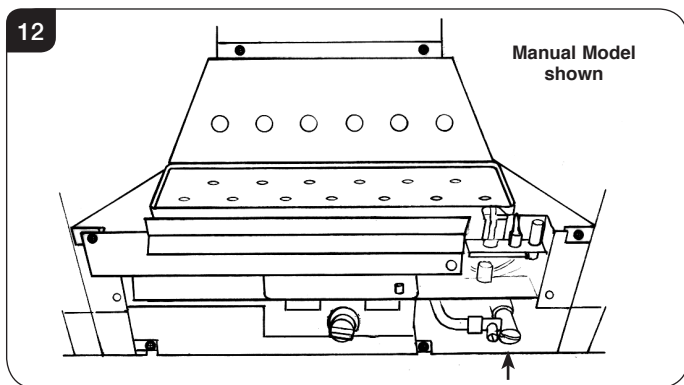
B) Screw Fixing Method

- 4.9 Alternatively, this appliance can be secured back to the fireplace opening using the screws and expansion plugs provided. Place the firebox centrally in the opening and mark the positions of the 4 fixing holes. Drill the holes and insert the 4 expansion plugs, see Diagram 11.



- 4.11 Offer the firebox into the opening and ensure that the gas supply pipe passes through the rubber seal.
- 4.12 Connect the gas supply to the inlet connection on the burner unit and tighten. It may be necessary to support the inlet connection with another spanner whilst tightening this joint, see Diagram 12.

Installation Instructions



4.13 Carefully refit the burner assembly.

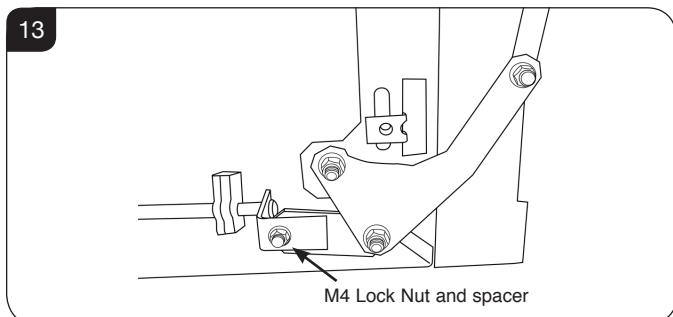
Slide Control Model only

Take care not to catch the slide mechanism.

4.14 Secure the 6 screws (Remote and Slide control models), 5 screws (Manual model).

Slide Control Model only

4.15 Refit the spacer and M4 lock nut to secure the slide mechanism, see Diagram 13.



All Models

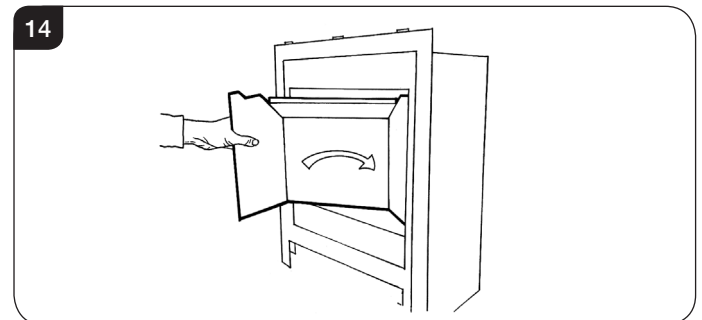
4.16 Turn on the gas supply to the appliance and check for leaks. Light the appliance and check all joints on the appliance for leaks.

4.17 Remove the sealing screw from the inlet connection and connect a suitable "U" gauge manometer. Light the appliance and turn to the maximum position, refer to the data badge and ensure that the running pressure is correct. If the pressure varies significantly from that on the data badge, this may indicate a supply problem and will require immediate attention.

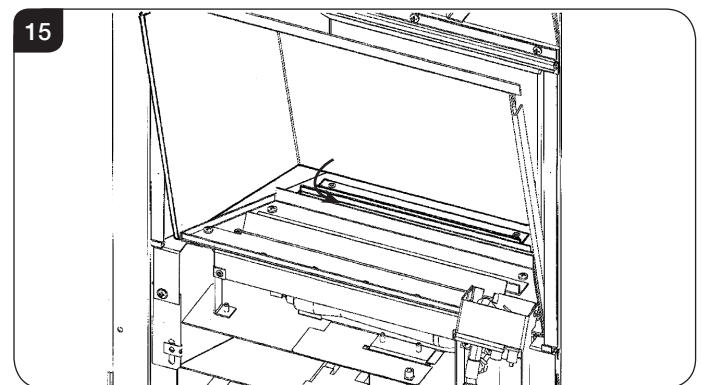
4.18 Turn the appliance off, disconnect the "U" gauge and replace the sealing screw. Relight the appliance and check the sealing screw for leaks.

5. Fitting the Decorative Inner Panel - White Stone Effect

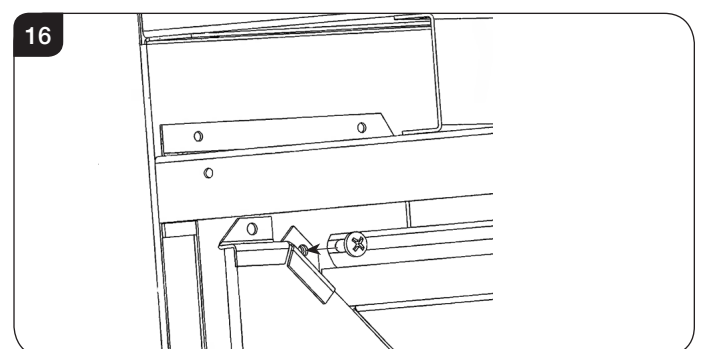
5.1 By rotating the panel, insert into firebox, see Diagram 14.



5.2 Check that the panel is sitting behind the rear ledge of the burner, see Diagram 15.



5.3 Secure the panel using the 2 upper brackets and the pozidriv screws, Diagram 16.
Use only the rearmost hole in the retaining bracket on each side
NOTE: IT IS IMPORTANT TO ENSURE THAT THE PANEL LOCATES TIGHTLY AGAINST THE BURNER TRAY.



Installation Instructions

6. Arrangement of the Fuel Bed

Advice on handling and disposal of fire ceramics



The fuel effect and side panels of this appliance are made from Refractory Ceramic Fibre (RCF), a material which is commonly used for this application.

Protective clothing is not required when handling these articles, but we recommend you follow normal hygiene rules of not smoking, eating or drinking in the work area and always wash your hands before eating or drinking.

To ensure that the release of RCF fibres are kept to a minimum, during installation and servicing a HEPA filtered vacuum is recommended to remove any dust accumulated in and around the appliance before and after working on it. When servicing the appliance it is recommended that the replaced items are not broken up, but are sealed within heavy duty polythene bags and labelled as RCF waste.

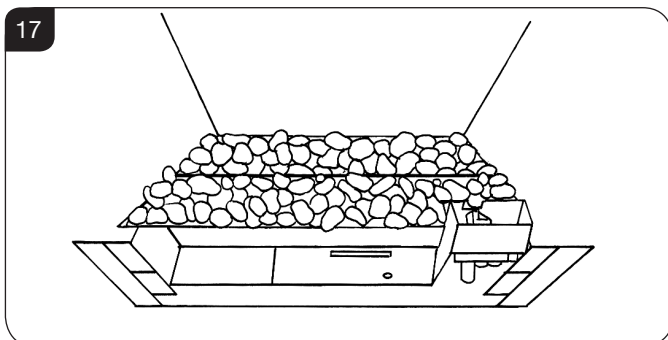
RCF waste is classed as stable, non-reactive hazardous waste and may be disposed of at a licensed landfill site.

Excessive exposure to these materials may cause temporary irritation to eyes, skin and respiratory tract; wash hands thoroughly after handling the material.

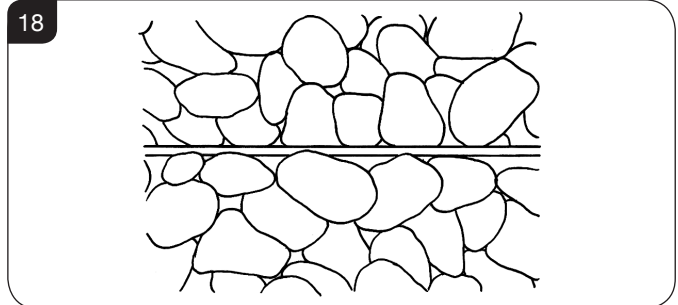
6A. White Stone Layout

ONLY USE THE CORRECT TYPE AND QUANTITY OF WHITE STONES. ALWAYS FOLLOW THE FUEL BED LAYOUT AS STATED IN THESE INSTRUCTIONS. NEVER CHANGE THE LAYOUT FROM THAT SHOWN HERE.

- 6.1 Arrange the white stones in the areas highlighted in Diagram 17. They should be evenly distributed.

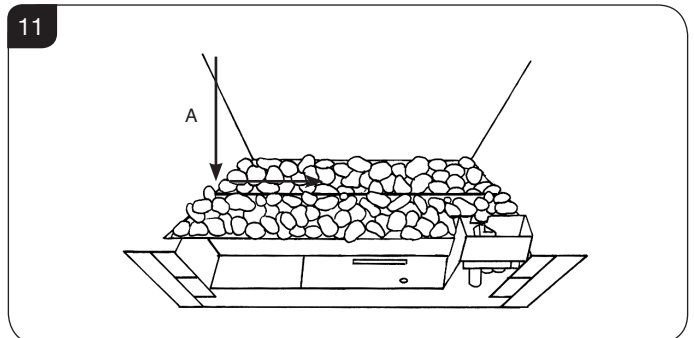


- 6.2 Lean the white stones against the burner ledges to disguise the ledges, see Diagram 18.



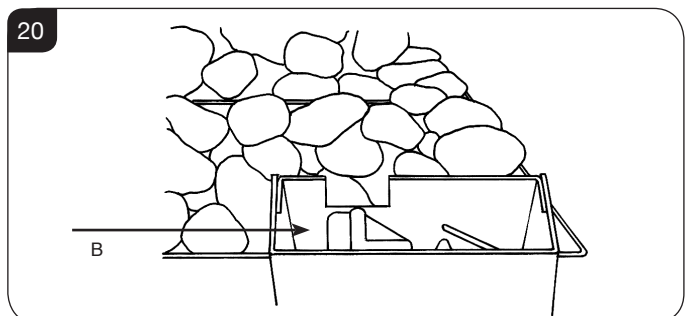
- 6.3 Check that the port area, see Diagram 19, Arrow A is clear of white stones. This can be easily done by gently running a screwdriver or similar object along this area.

NOTE: IT IS IMPORTANT THE WHITE STONES DO NOT COVER THE PORT AREA IN BETWEEN THE BURNER LEDGES.



- 6.4 Ensure that no stones overhang or fill the pilot area, see Diagram 20, Arrow B.

NOTE: STONES SHOULD NOT BE PLACED DIRECTLY IN FRONT OF THE PILOT CROSS LIGHTING FLAME.



Installation Instructions

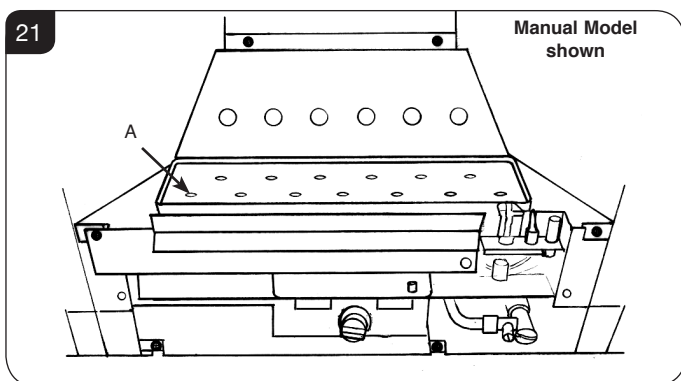
6B. Coal Effect Layout

NOTE: CERAMIC PARTS ARE FRAGILE. HANDLE WITH CARE.

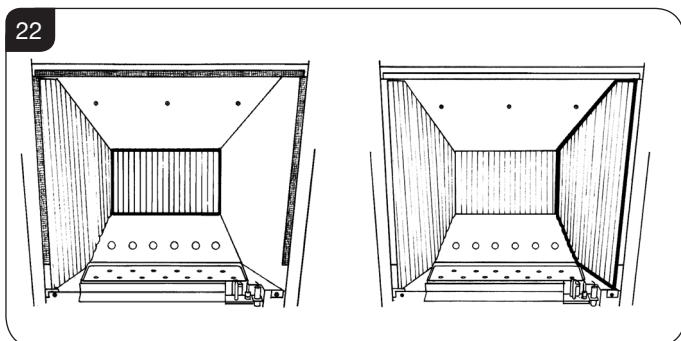
ONLY USE THE CORRECT TYPE AND QUANTITY OF CERAMIC COMPONENTS. ALWAYS FOLLOW THE FUEL BED LAYOUT AS STATED IN THESE INSTRUCTIONS. NEVER CHANGE THE LAYOUT FROM THAT SHOWN HERE.

- 6.5 Ensure the burner cover gasket is positioned on the burner skin ensuring the holes align with the ports.

Take care as the front left-hand hole is offset compared to the others, see Diagram 21, arrow A.

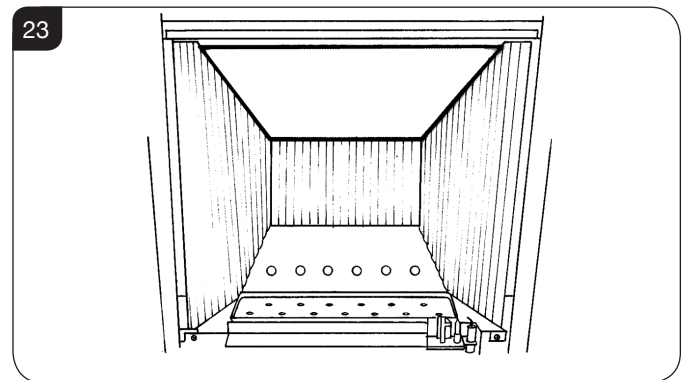


- 6.6 Place the rear panel against the rear of the box resting on the shelf.
- 6.7 Slide one of the side panels into the box ensuring it touches the rear panel.
- 6.8 Gently ease the front edge of the side panel behind the flange so it lies flat against the wall of the box.
- 6.9 Repeat with the second side panel, see Diagram 22.

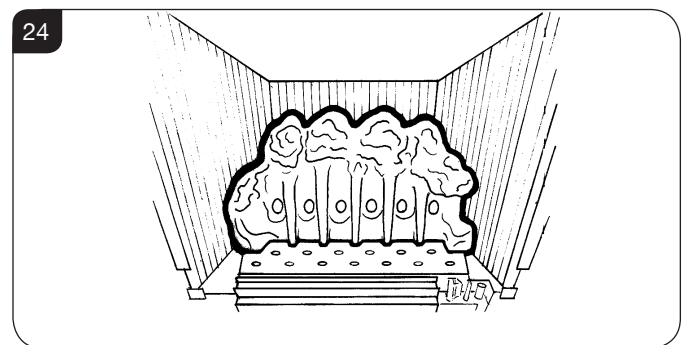


- 6.10 Locate the top panel on top of the sides and rear by lifting it up and forward inside the box.

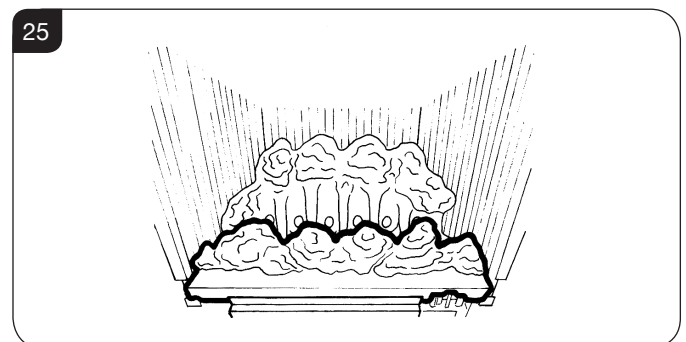
- 6.11 Slide it backwards and down behind the side panels to rest on the rear panel, see Diagram 23.



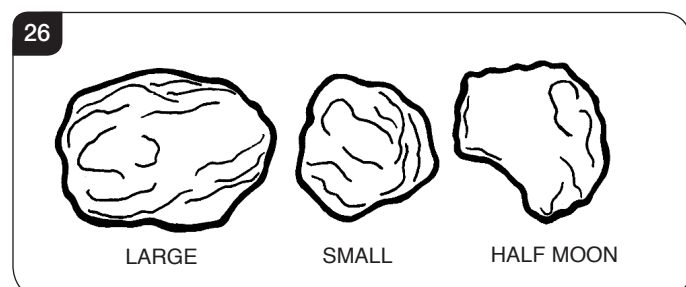
- 6.12 Position the flame baffle centrally on the tray and ensure the stepped lower edge engages against the rear edge of the burner skin, see Diagram 24.



- 6.13 Place the front coal centrally in the channel at the front of the tray. The relationship between the front coal and the flame baffle is shown in Diagram 25.

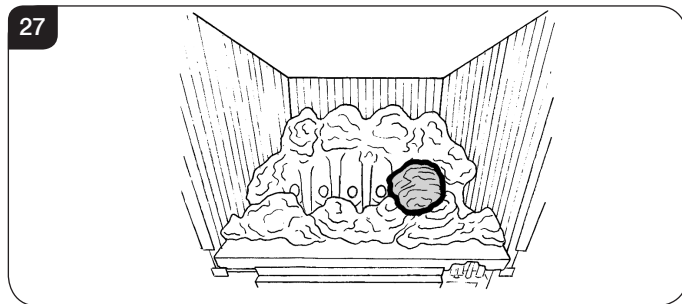


- 6.14 There are three sizes of coal used: 3 x Large, 4 x Small and 1 x Half Moon shaped. For identification, see Diagram 26.

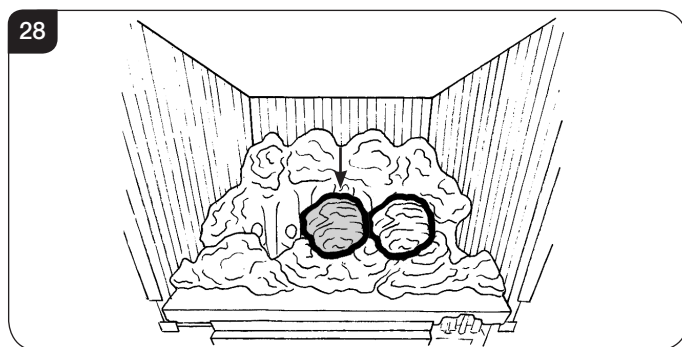


Installation Instructions

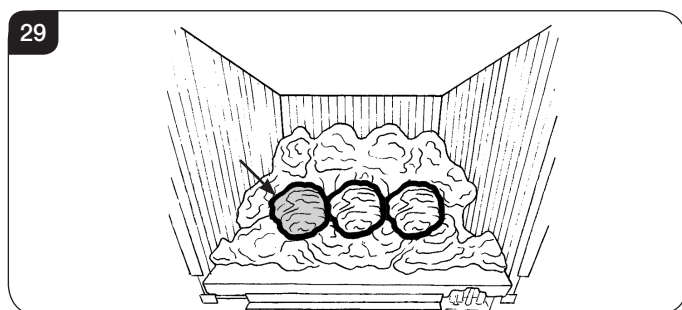
- 6.15 Place a single large coal in the right hand dent of the front coal resting against the flame baffle, see Diagram 27.



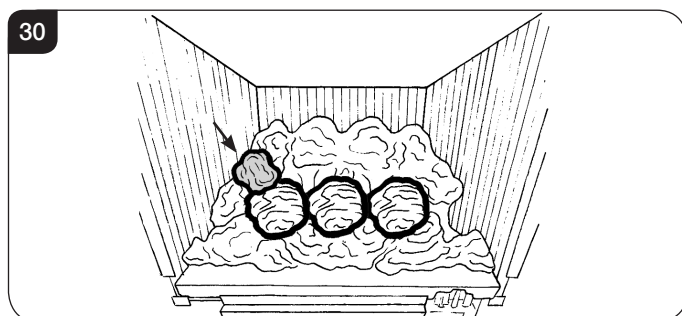
- 6.16 Place a second single large coal in the middle dent of the front coal resting against the flame baffle, see Diagram 28.



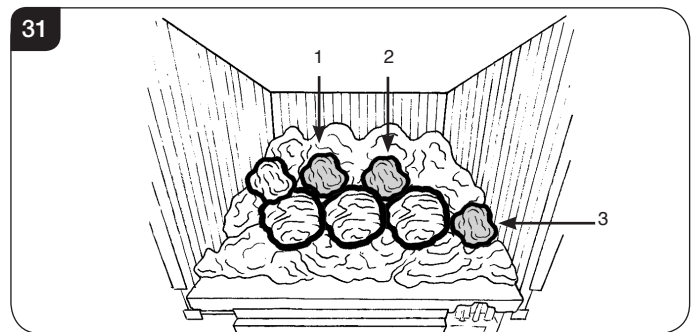
- 6.17 Place the third large coal next to the first middle coal and against the flame baffle, Diagram 29.



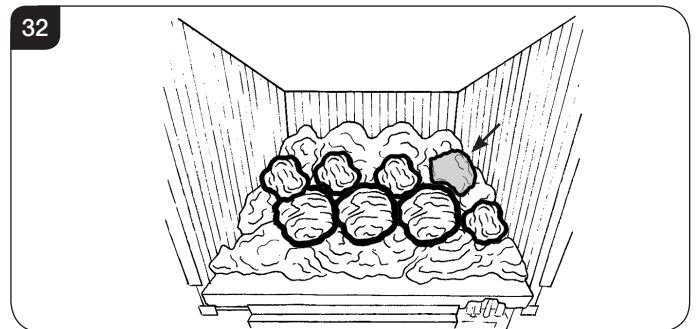
- 6.18 Place a small coal directly behind the first large coal, and rest it on the flame baffle, see Diagram 30.



- 6.19 Place two of the remaining small coals in the spaces next to the first. The final small coal sits at the front right next to the large coals, see Diagram 31.



- 6.20 Finally position the Half Moon coal on the top right as shown, see Diagram 32.

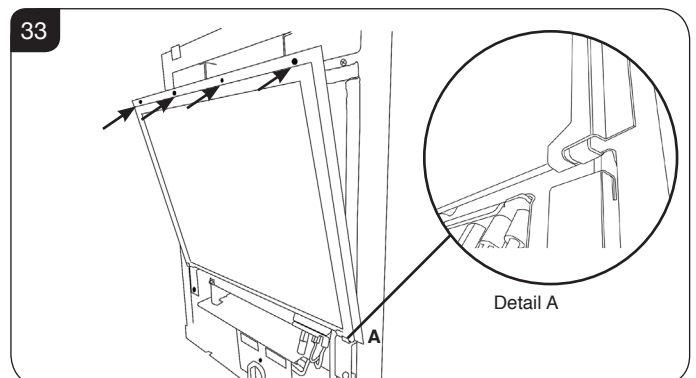


- 6.21 It is essential that gaps are left between the coals to maximise the performance of the appliance.

7. Fitting the Glass Frame

- 7.1 Ensure that the fibre glass seal on the box is intact, then lower the glass frame into the lower location tabs on the box. The tabs should locate between the glass and the decorative front, see Diagram 33, Detail A.

- 7.2 Secure the glass frame using 4 screws in the retaining bracket, see Diagram 33. Replace ALL of the glass frame securing screws ensuring that a screw is present in all fixing slots.



NEVER OPERATE THE APPLIANCE WHEN THE GLASS FRAME IS REMOVED OR BROKEN.

Refer to the separate decorative front Instructions to replace the front on the appliance.

! UNDER NO CIRCUMSTANCES SHOULD THE APPLIANCE BE USED IF ANY OF THE GLASS FRAME RETAINING SCREWS ARE LOOSE OR MISSING.

Installation Instructions

8. Operating the Appliance

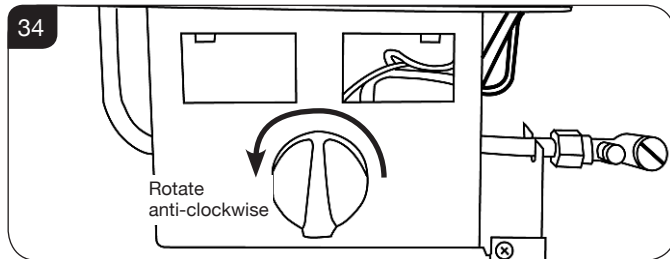
8.1 There are three types of control systems available for this appliance:

1. Manually Operated Control
2. Remote Control
3. Slide Control

Follow the relevant section for specific operation.

Manual Control

8.2 Locate the control valve on the appliance. It has a single manual control, see Diagram 34:



Lighting the Pilot

8.3 Push the valve knob in and rotate anti-clockwise until 2 clicks are heard. The pilot should now be lit.

8.4 Hold in for a further 10 seconds. When released the pilot should remain lit.

If the pilot does not remain lit, repeat until the operation is successful.

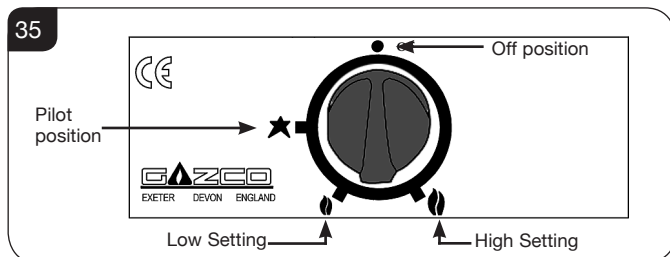
Adjusting the Flame height

8.5 From the pilot position push the valve knob in slightly and rotate anti-clockwise until the first stop point is felt.

This denotes the lowest setting.

8.6 Push the valve knob in slightly and rotate further in an anti-clockwise direction.

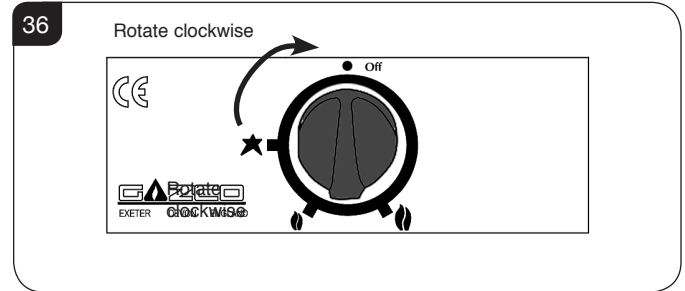
The final stop point is the highest setting



YELLOW FLAMES APPEAR WHEN THE APPLIANCE HAS REACHED SUFFICIENT HEAT – (10 TO 20 MINUTES). IF THE APPLIANCE IS EXTINGUISHED OR GOES OUT IN USE, WAIT 3 MINUTES BEFORE TRYING TO RELIGHT.

Switching OFF the Appliance

8.7 To switch the appliance off turn the control knob clockwise until it is returned to the off position, see Diagram 36.



The knob should be upright.

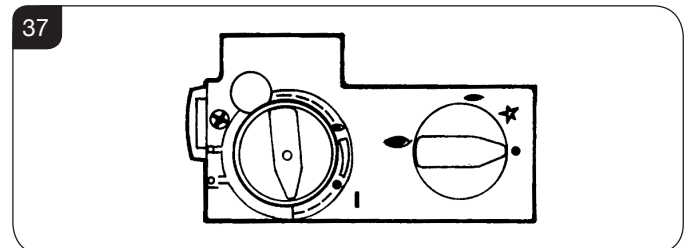
Remote Control

The control valve is at the foot on the right-hand side of the appliance. It has two controls, see Diagram 37:

1. The right-hand knob controls the pilot ignition.
2. The left-hand knob controls the main burner.

Lighting the Pilot

8.8 To start the left-hand and right-hand control knobs must both point to off (●):



8.9 Press in the right-hand control knob and rotate anti-clockwise until a click is heard. Continue to press in. The knob points to the pilot (→).

The pilot is lit.

8.10 Keep the knob depressed for 10 seconds before releasing. The pilot remains lit.

Repeat the above steps if the pilot does not stay lit.


NOTE: If the pilot goes out, the Interlock system prevents you lighting again for a short period.

8.11 If, after repeating the above steps the pilot does not light, contact your Retailer or Installer.

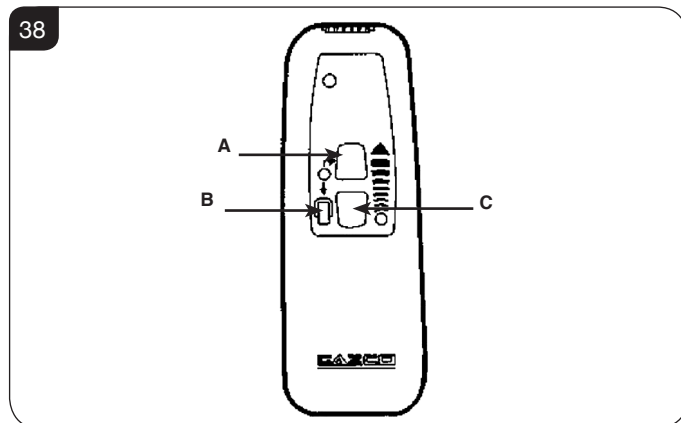
8.12 Turn the right-hand control to point to main burner (←). The appliance can now be controlled by the remote handset.

Installation Instructions

8.13 The Standard remote controls the appliance when:

- the pilot is lit.
- the right-hand control points to main burner  ready to operate position.

It regulates the temperature from low to high and back. It can also turn the main burner off leaving just the pilot burning and ready to operate.



To light the main burner:

- 8.14 Press buttons A & B simultaneously. The remote's LED light flashes to show communication between the appliance's controls and the remote.

Adjusting the Flame height:

- 8.15 Press and hold buttons A & B simultaneously to increase the flame height. A clicking sound indicates that the appliance is at maximum.
- 8.16 Press and hold button C to decrease the flame height. Continue to press C to turn off the main burner.

To make small adjustments to flame height:

- 8.17 Press and hold down button B and press button A once to make a slight increase. This increases the temperature by stages.

Repeat to further adjust.

- 8.18 Press button C once to slightly reduce the flame height.

YELLOW FLAMES APPEAR WHEN THE APPLIANCE HAS REACHED SUFFICIENT HEAT – (10 TO 20 MINUTES). IF THE APPLIANCE IS EXTINGUISHED OR GOES OUT IN USE, WAIT 3 MINUTES BEFORE TRYING TO RELIGHT.


Switching OFF the Appliance

THE REMOTE CONTROL CAN TURN THE MAIN BURNER OFF AND LEAVE THE PILOT BURNING AND READY TO OPERATE 


- 8.19 To switch off the appliance completely (no pilot burning) return both control knobs to the off position (●).

Remote Control

- 8.20 To turn the main burner of the appliance off using the handset press and keep pressing the Off button (●)

The main burner goes out leaving the pilot burning and ready to operate 

Controls on Appliance

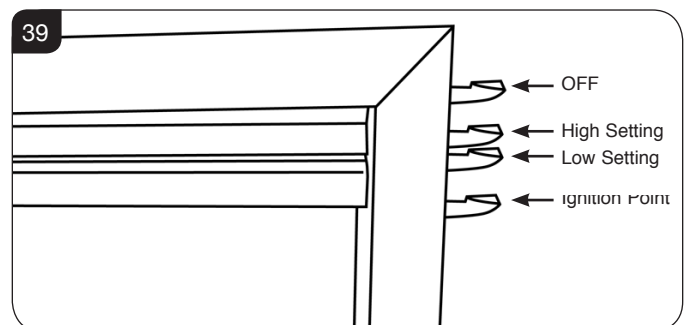
- 8.21 Use the controls on the appliance to turn the appliance off by turning the left-hand control knob until it points to Off (●). A click is heard and the main burner goes out leaving the pilot burning and ready to operate 

CAUTION: IN RARE INSTANCES, NOISES FROM SOURCES OUTSIDE THE REMOTE CAN OPERATE THE MAIN BURNER. IF THIS OCCURS, ALWAYS TURN THE CONTROL TO PILOT (●) OR OFF.

Slide Control

This appliance is operated using the slide control on the top right hand side of the decorative front.

When the appliance is OFF the slide control will be at the highest point, see Diagram 39.



Lighting the Pilot

- 8.22 Push the slide control down as far as possible to its lowest point, see Diagram 39, this is the ignition point.

Keep the slide control pressed down for 5 seconds to ensure the pilot is lit. Then release.

The appliance should light on its lowest setting.

- 8.23 When released the slide control automatically raises to a natural stop point, see Diagram 39.

Repeat the above steps if the appliance does not light.

- 8.24 If, after repeating the above steps the pilot does not light, contact your Retailer or Installer.

Adjusting the Flame height

- 8.25 Increase the flame height and temperature by carefully moving the slide control up until the next stop point is felt, see Diagram 39. This denotes the highest setting.
- 8.26 Carefully move the slide control down to the lower stop point to return to the lowest setting.

YELLOW FLAMES APPEAR WHEN THE APPLIANCE HAS REACHED SUFFICIENT HEAT – (10 TO 20 MINUTES). IF THE APPLIANCE IS EXTINGUISHED OR GOES OUT IN USE, WAIT 3 MINUTES BEFORE TRYING TO RELIGHT.

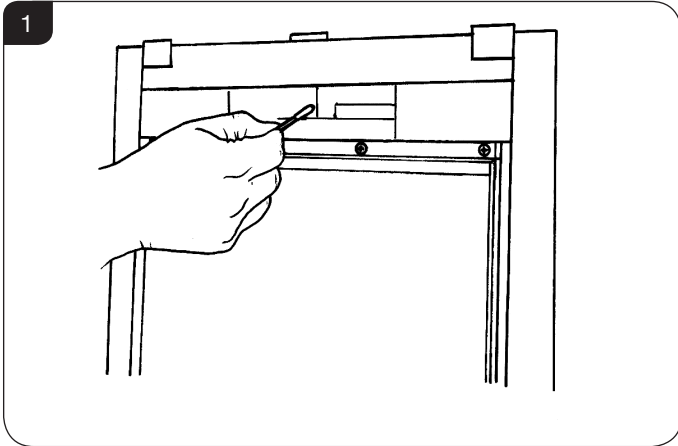
Switching OFF the Appliance

- 8.27 To turn the appliance off lift the slide control to its highest stop point, see Diagram 39. The pilot goes out.

Commissioning

1. Commissioning

- 1.1 Close all windows and doors to the room, check all controls, and allow appliance to burn on maximum for 5 minutes. Test for spillage of flue products using a smoke match. Pass the lighted smoke match along the top front of the draught diverter, just inside, see Diagram 1.



- 1.2 If the appliance spills, run for a further 10 minutes and re-check.
- 1.3 Complete the Commissioning Checklist at the front of this manual covering:
- Flue checks
 - Gas checks
 - Fuel effect layout - flame picture
- 1.4 Upon completion of the commissioning and testing of the installation and correct operation of the appliance, the installer must instruct the user how to operate the appliance.
- 1.5 Guide the user through the User Instructions paying particular attention to:
- a) Regular servicing (Section 9 of the User Instructions).
 - b) Ventilation (Section 10 of the User Instructions) - point out the ventilation positions where applicable.
 - c) Hot surfaces (Section 12 of the User Instructions).

If there are any extractor fans in the room or adjacent rooms, the test must be repeated with the fans running on maximum.

IF SPILLAGE PERSISTS, DISCONNECT THE APPLIANCE AND SEEK EXPERT ADVICE.

For future reference record the installation details on the commissioning sheet on page 3 of these instructions.

Servicing Instructions

Servicing/Fault Finding Charts

1. Servicing Requirements

IMPORTANT – The glass panel on this appliance should be checked for any signs of damage on the front face of the glass panel (scratches, scores, cracks or other surface defects). If damage is observed, the glass panel must be replaced and the appliance must not be used until a replacement is installed. Under no circumstances should the appliance be used if any damage is observed. Please isolate the appliance until a replacement glass panel has been obtained and installed. Replacement glass panels can be purchased from Gazco via the retailer from which the appliance was purchased or any other Gazco distributor.

This appliance must be serviced at least once a year by a competent person.

All tests must be carried out in accordance with the current Gas Safe recommendations.

1.1 Before Testing:

- Conduct a gas soundness test for the property ensuring there are no leaks before servicing.
- Check the operation of the appliance before testing.

1.2 Special checks:

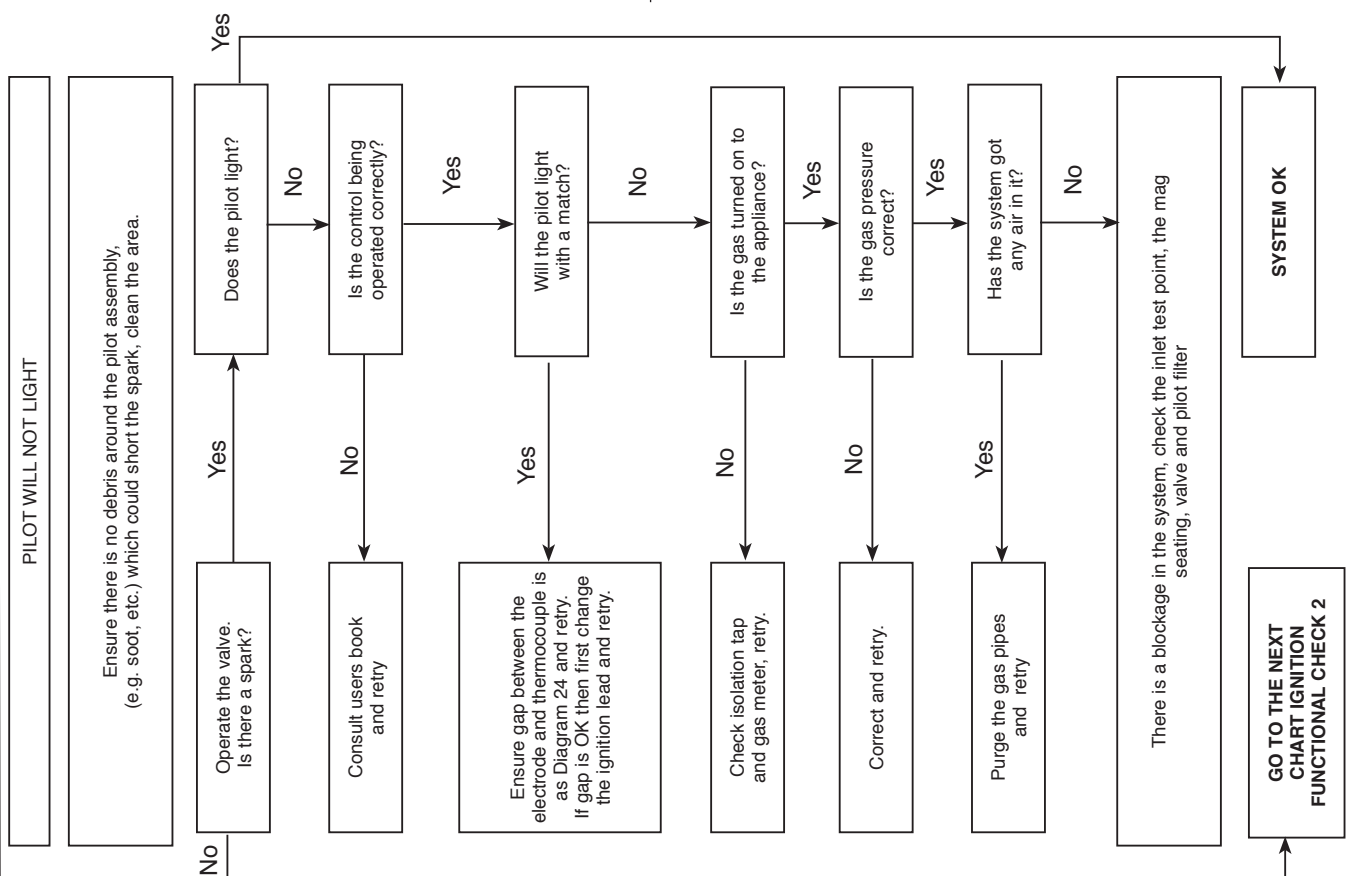
- Clean the burner using a vacuum cleaner with a soft brush attachment. Ensure all debris is removed from the burner ports.
- Clean away lint or fluff from the pilot - pay particular attention to the aeration hole in the side of the pilot.
- Clean away lint or fluff from under the burner .
- Check the spark gap on the pilot is correct.
- Ensure that the glass frame is secured correctly and that all retaining screws are in place.

1.3 Correct any faults found during the initial test.

1.4 Re-commission the appliance in accordance with Commissioning Procedures.

1.5 Advise the customer of any remedial work undertaken.

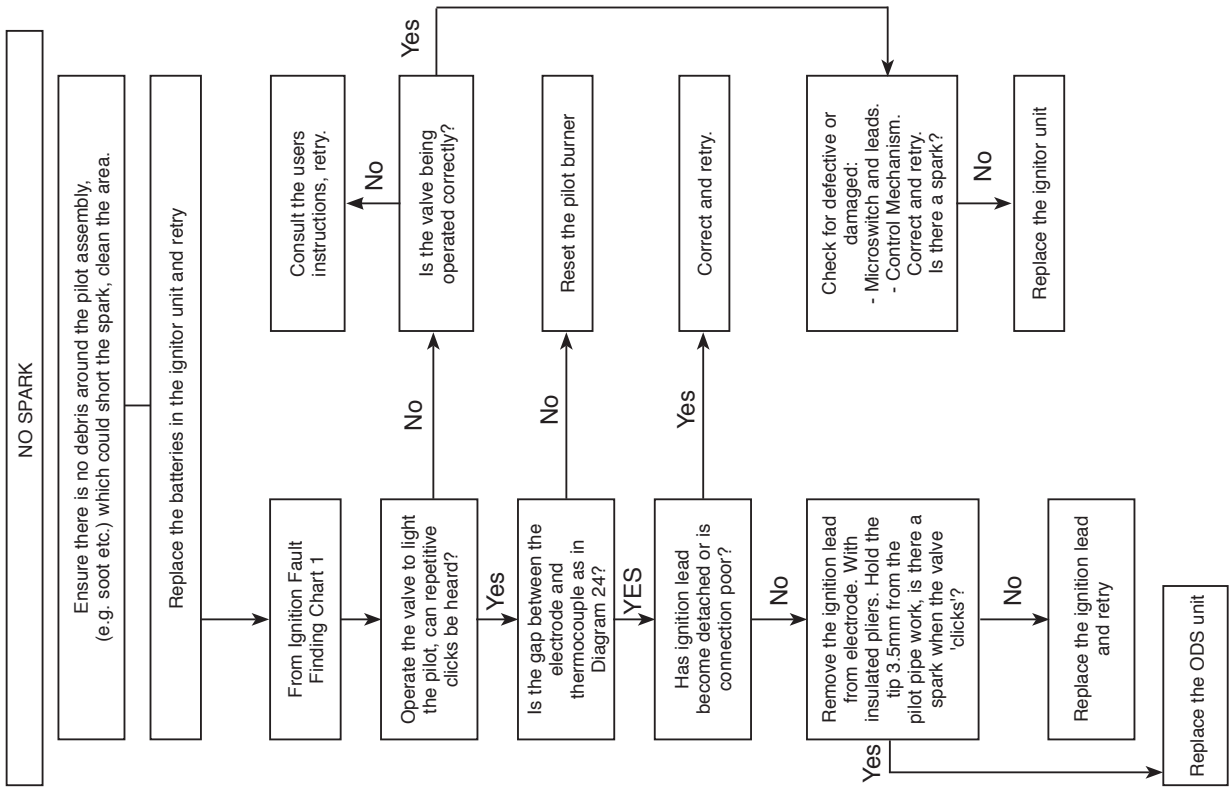
IGNITION FUNCTIONAL CHECK 1



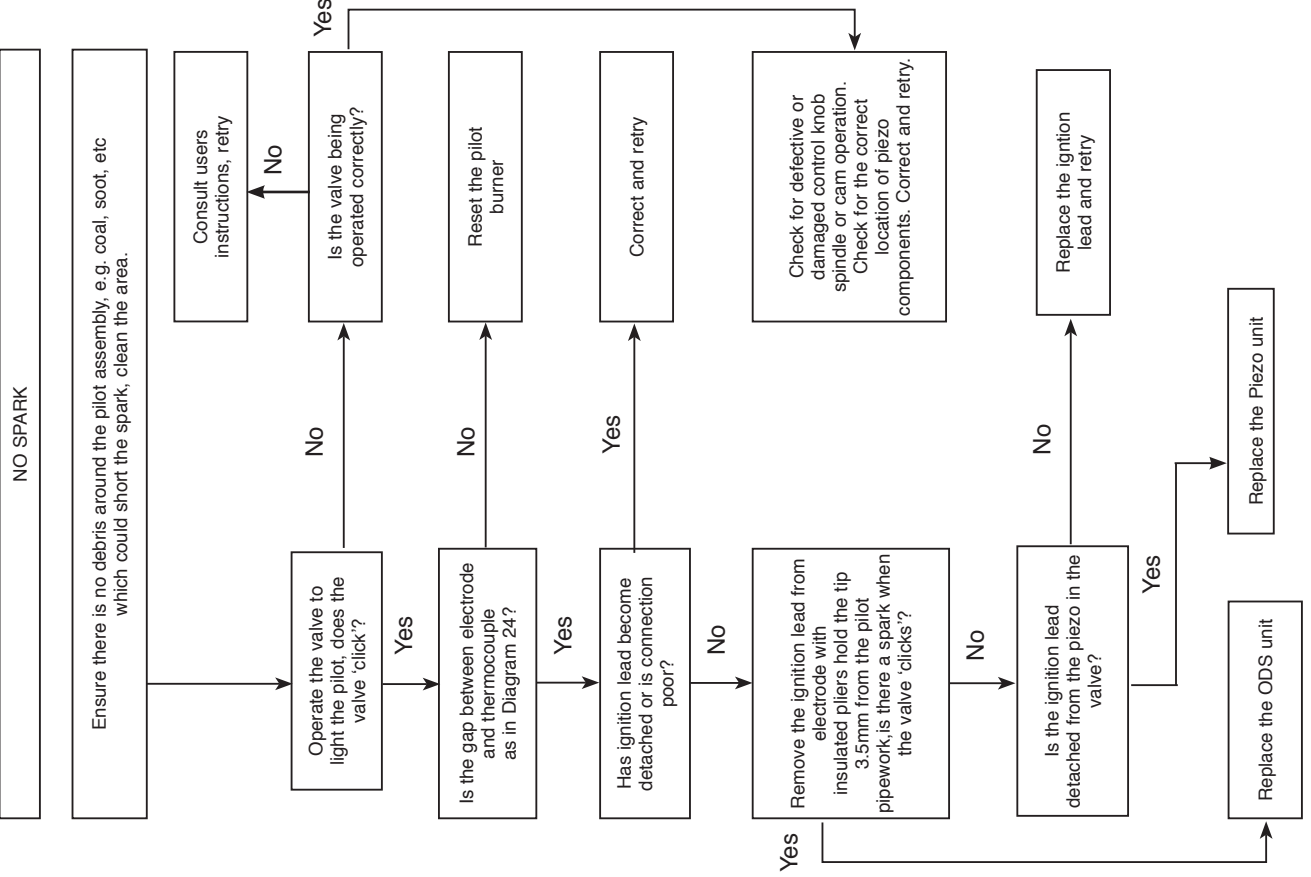
Servicing Instructions

Fault Finding Charts

IGNITION FUNCTIONAL CHECK 2B SLIDE CONTROL



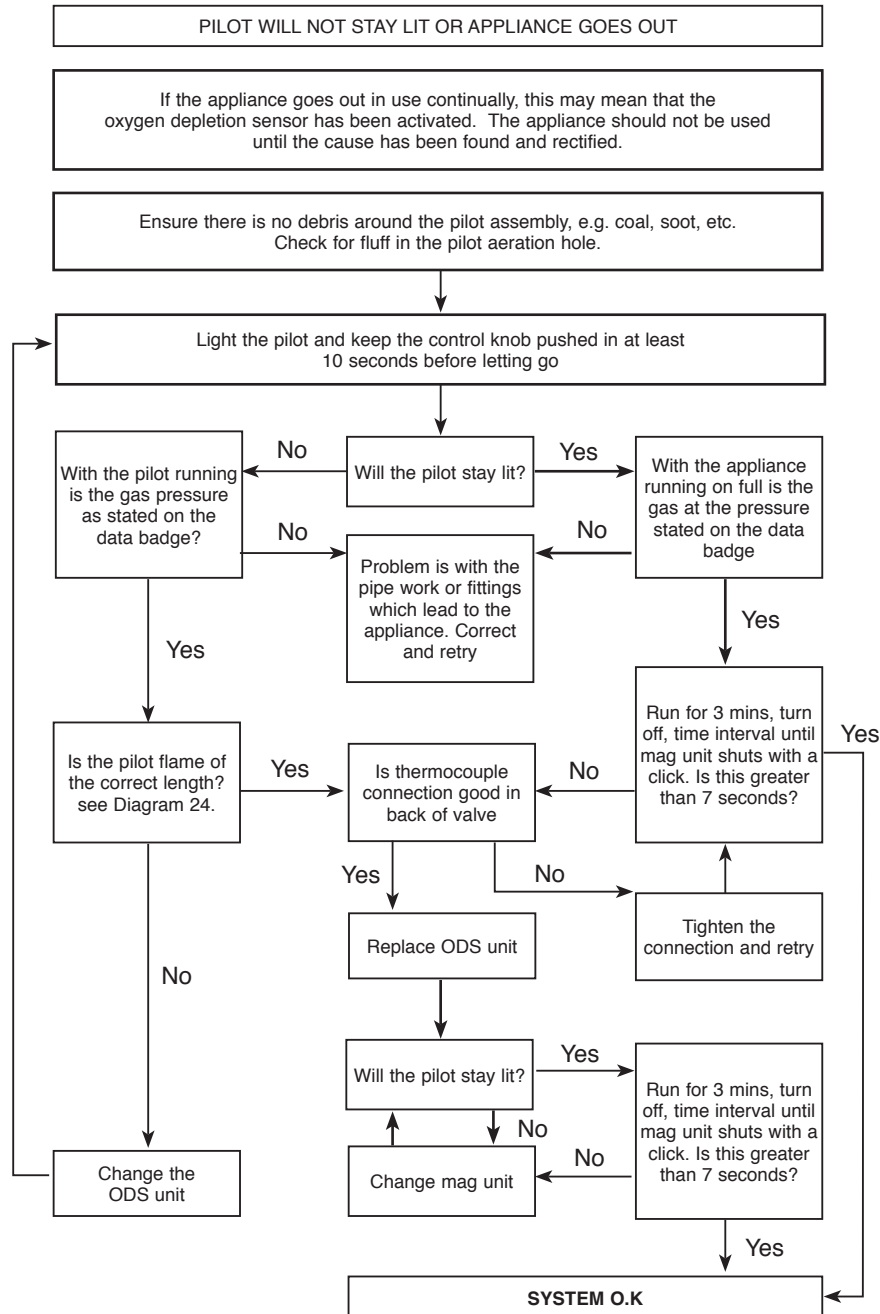
IGNITION FUNCTIONAL CHECK 2A MANUAL & REMOTE



Servicing Instructions

Fault Finding Charts

FLAME FAILURE FUNCTIONAL CHECK 3

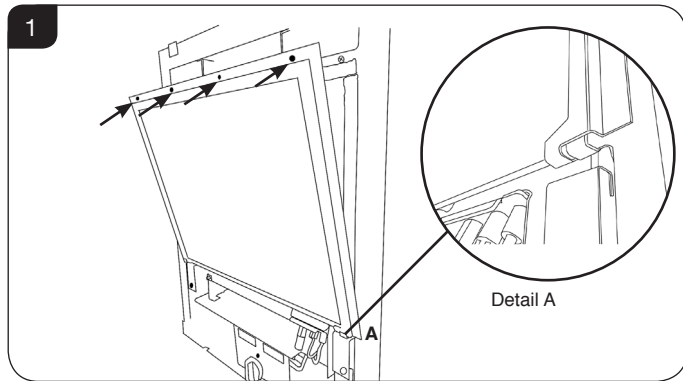


Servicing Instructions - Replacing Parts

1. Servicing

As part of the annual service, the space behind the firebox must be inspected for any debris, which may have fallen down the chimney.

- 1.1 To remove the main burner from the firebox first remove the decorative front. There are 2 screws securing the front to the appliance. Refer to separate instructions.
- 1.2 Turn off the gas supply at the isolation device located under the appliance.
- 1.3 Disconnect the gas supply leaving the isolation device on the supply pipe and not the appliance.
- 1.4 Remove the glass frame by removing the 4 screws in the retaining bracket, see Diagram 1.
- 1.5 Lift the glass frame off the lower locations tabs, see Diagram 1, Detail A and carefully place to one side.



- 1.7 The glass frame must be refitted to the appliance following cleaning or servicing. Ensure that the fibre glass seal on the box is intact, then lower the glass frame into the lower location tabs on the box. The tabs should locate between the glass and the decorative front, see Diagram 1, Detail A.
- 1.8 Secure the glass frame using 4 screws in the retaining bracket, see Diagram 1. Replace ALL of the securing screws ensuring that a screw is present in all fixing slots.

NEVER OPERATE THE APPLIANCE WHEN THE GLASS FRAME IS REMOVED OR BROKEN.

Refer to the separate decorative front instructions to replace the front on the appliance.



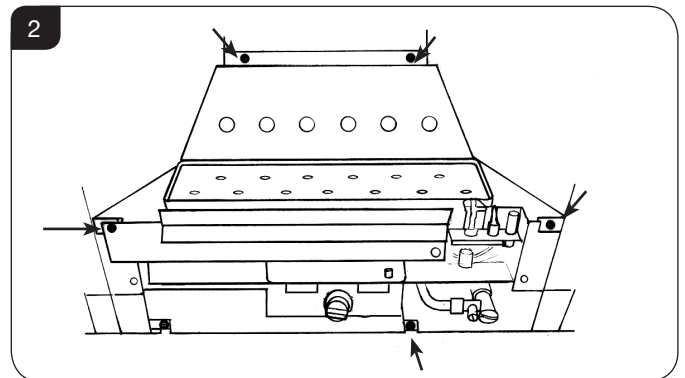
UNDER NO CIRCUMSTANCES SHOULD THE APPLIANCE BE USED IF ANY OF THE GLASS FRAME RETAINING SCREWS ARE LOOSE OR MISSING.

Coal Effect Only

- 1.6 Remove the loose coals, and place on a dry, clean surface.
- 1.7 Remove the front coal, flame baffle and all the ceramic liners. All these items are very fragile and need to be stored carefully.

Manual Control

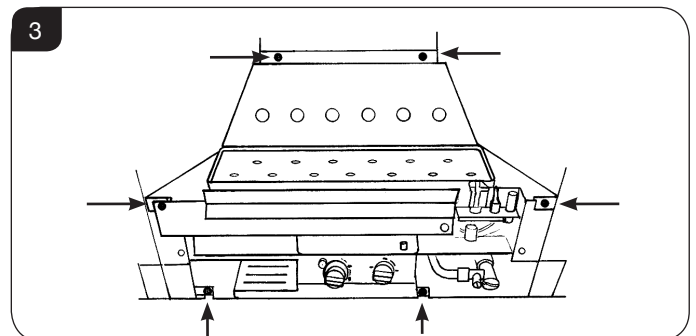
- 1.8 Remove the 5 screws securing the burner unit to the firebox, see Diagram 2.



- 1.9 Clean any debris from the burner skin.
- 1.10 The burner unit can now be removed.

Remote Control

- 1.11 Remove the 6 screws securing the burner unit to the firebox, see Diagram 3.



- 1.12 Clean any debris from the burner skin.
- 1.13 The burner unit can now be removed.

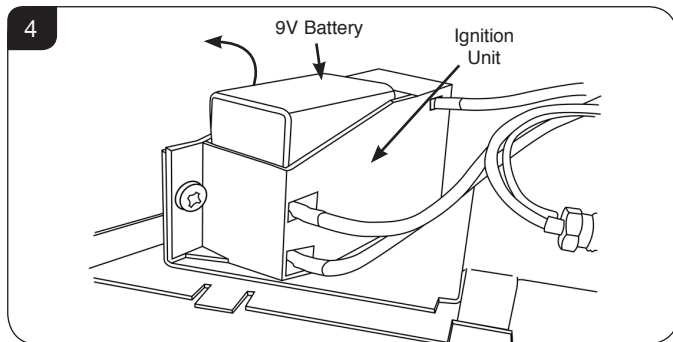
Servicing Instructions - Replacing Parts

Slide Control

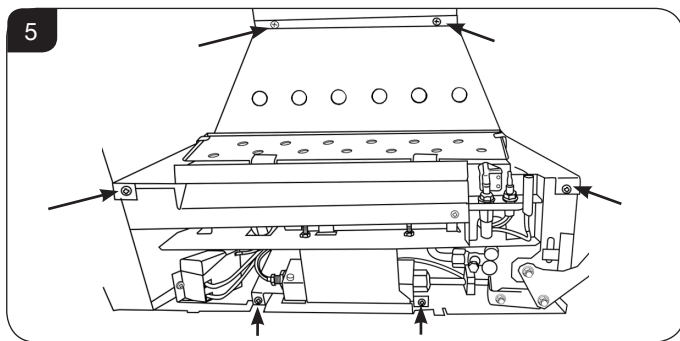
- 1.14 Remove the battery before carrying out work on this appliance.

Removing the battery:

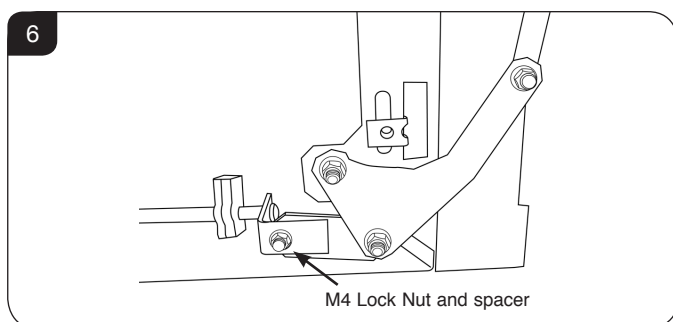
- 1.15 The battery box is located at the bottom left of the appliance behind the ash cover, see Diagram 4.



- 1.16 Remove the 6 screws securing the burner unit to the firebox, see Diagram 5.



- 1.17 Remove the M4 lock nut and spacer securing the slide arm to the appliance, see Diagram 6. Ensure that the spacer is retained and replaced when the burner unit is reinstalled.



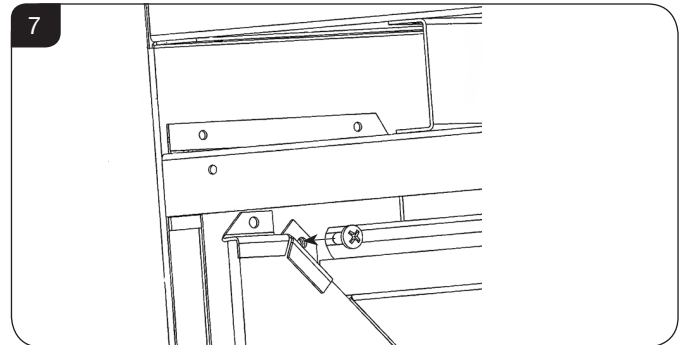
- 1.18 Clean any debris from the burner skin.

- 1.19 The burner unit can now be removed.
Take care not to catch the slide mechanism.

White Stone Effect Only

- 1.20 Remove the white stones and place on a clean dry surface.

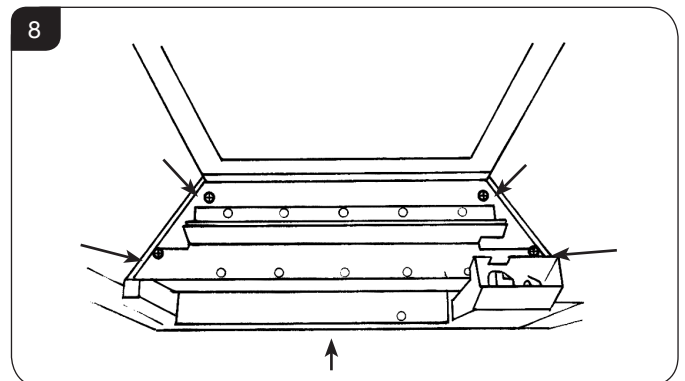
- 1.21 Remove the two decorative panel securing clamps, see Diagram 7.



- 1.22 Carefully remove the enamel back panel by rotating it out of the firebox.

TAKE EXTREME CARE WHILST REMOVING THESE PANELS NOT TO SCRATCH OR CHIP THE PANEL ON THE SIDES OF THE FIREBOX.

- 1.23 Remove the 5 screws securing the burner:



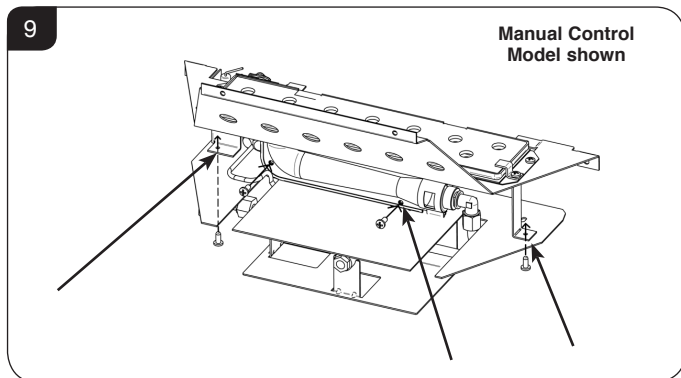
- 1.24 Gently slide the whole burner assembly forward.

- 1.25 Clean any debris from the burner skin.

Servicing Instructions - Replacing Parts

2. General

- 2.1 To service any of the following parts of the appliance, it will be necessary to remove the burner unit from the firebox. To remove the burner refer to Servicing Section 1.
- 2.2 The heat shield needs to be removed from the burner for servicing. To do this remove the three screws indicated in Diagram 9 and slide the shield forward.



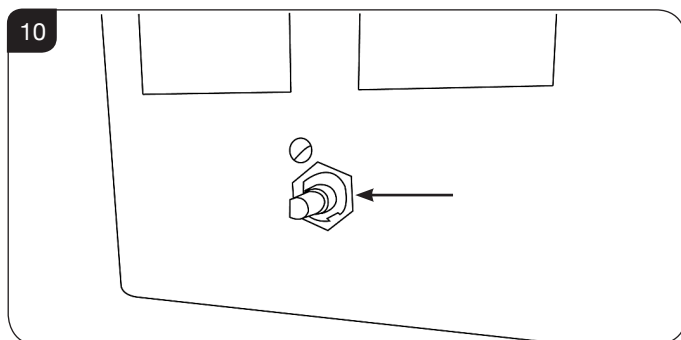
3. Ignition Lead

- 3.1 The different control versions of this appliance have different servicing requirements for the Ignition Lead. Follow the relevant section for each product.

Manual Control

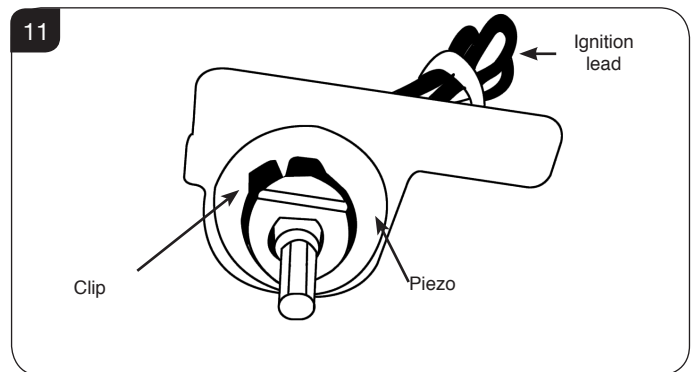
- 3.2 The Ignition lead and Piezo on this appliance are part of one complete unit and must be replaced at the same time.

To replace the unit remove the control knob on the front of the valve cover and undo the nut securing the valve, see Diagram 10.

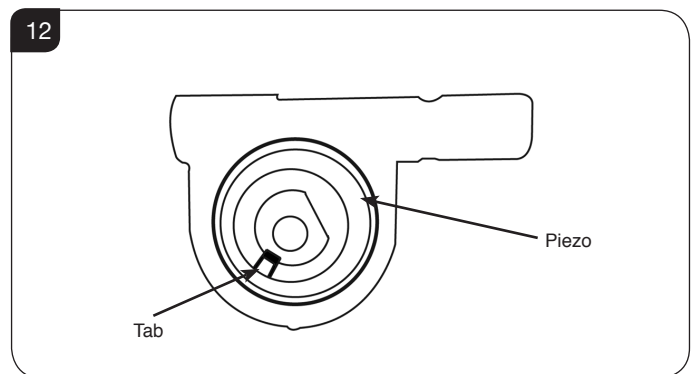


- 3.3 Disconnect all other valve connections on the rear of the valve.
- 3.4 The valve will now come off.

- 3.5 Remove the clip from around the front of the valve, see Diagram 11.



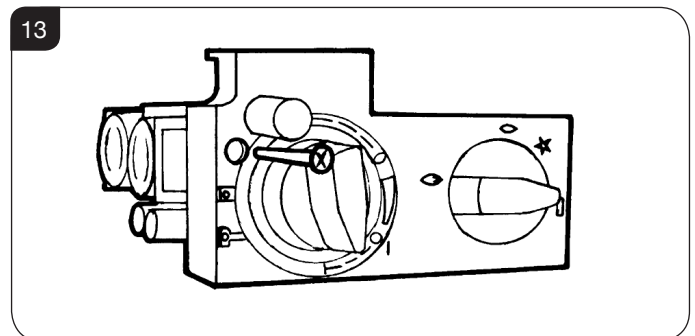
- 3.6 Rotate the Piezo anti-clockwise until the tab appears in the slot at the front, see Diagram 12.



- 3.7 Withdraw the Piezo unit forward from the valve.
- 3.8 Replace with a new unit and re-assemble the valve into the burner unit .
- 3.9 Check the operation of the Piezo ignitor making sure that both ignition 'clicks' are functioning.
- 3.10 Reassemble the appliance.

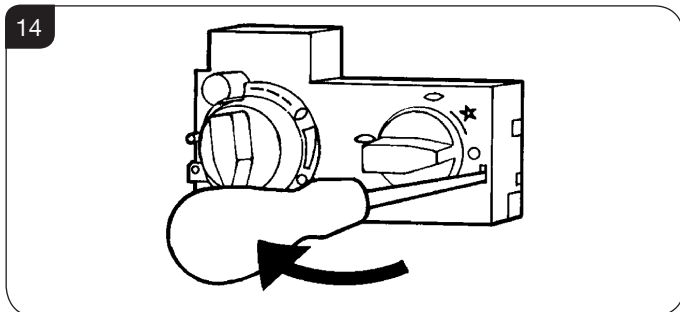
Remote Control

- 3.11 Undo the single screw that secures the left hand side of the control cover, see Diagram 13.

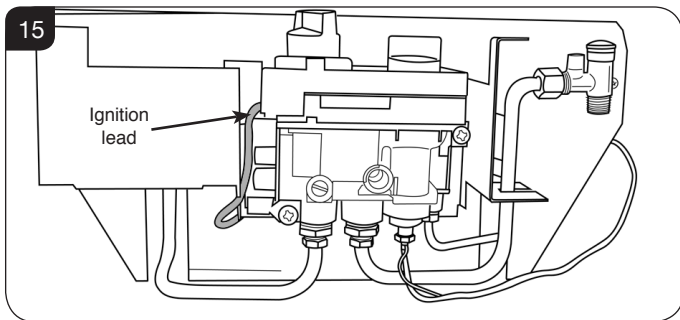


Servicing Instructions - Replacing Parts

- 3.12 To release the right hand side of the control cover insert the narrow blade screwdriver into the slot shown in Diagram 14, lever it gently and pull from the right hand side at the same time. The cover will now come off, there is a small cylindrical metal spacer inside the cover, this must be kept and replaced on the fixing screw during re-assembly.



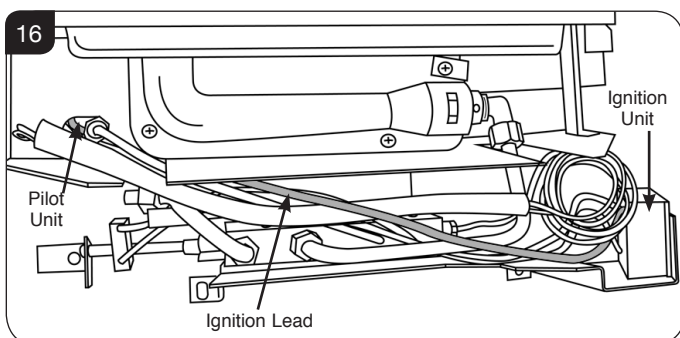
- 3.13 Disconnect the ignition lead from the gas valve and the pilot, see Diagram 15.



- 3.14 Replace with a new ignition lead following the same route as the old one. Replace the valve cover and the pilot assembly.
3.15 Refit the burner.
3.16 Check the operation of the new ignition lead.
3.17 Reassemble the appliance.

Slide Control

- 3.18 Disconnect the ignition lead from the ignition unit and the pilot unit, see Diagram 16.



- 3.19 Replace with a new ignition lead following the same route as the old one.
3.20 Refit the burner.
3.21 Check the operation of the new ignition lead.
3.22 Reassemble the appliance.

4. Piezo Manual & Remote only

Note: For the Manual Control Valve the Ignition lead and Piezo are part of one complete unit and must be replaced at the same time, see Section 3.

Remote Control:

- 4.1 The Piezo assembly used on this appliance is not serviceable and is unlikely to fail. If a new piezo is required it will be necessary to change the gas valve, refer to Section 6.

5. ODS Pilot Unit

Note: The pilot unit on the appliance is a non serviceable unit due to the complex nature of its manufacture.

Replacement of the complete unit must be carried out when one of the following items becomes faulty:

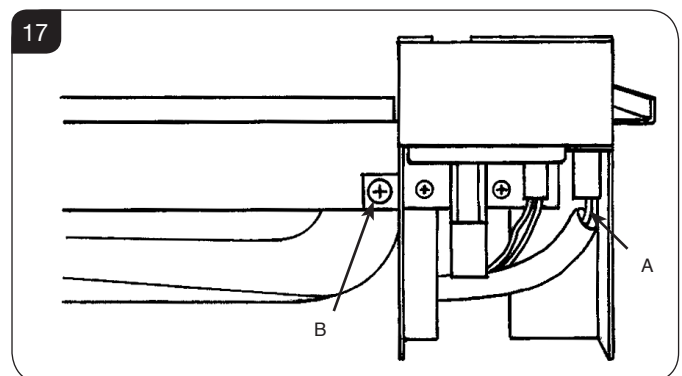
- Pilot injector
- Ignition electrode
- Thermocouple

Access to the White Stone Effect pilot unit differs from the Coal Effect. Follow the relevant instruction for your appliance.

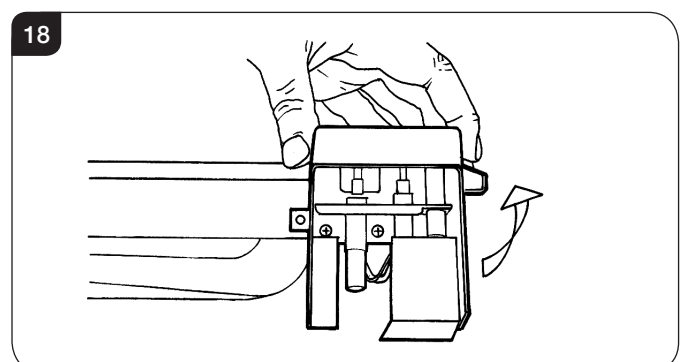
Remove the main burner, see Section 1.

White Stone Effect

- 5.1 Gently pull the ignition lead off the electrode, see Diagram 17, Arrow A and undo the screw, see Diagram 17, Arrow B.

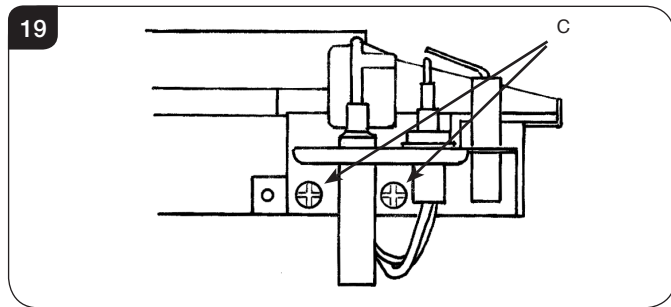


- 5.2 Lift the shroud up and away from the pilot unit.



Servicing Instructions - Replacing Parts

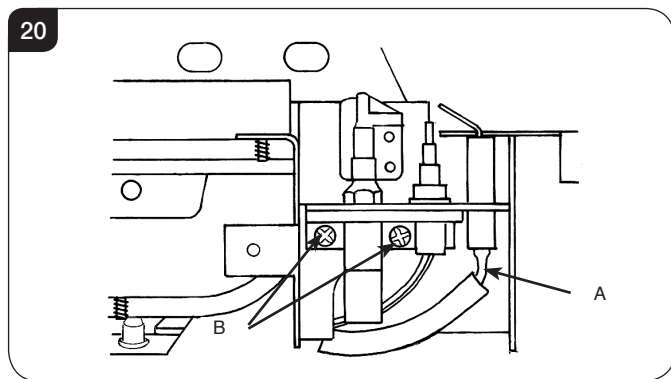
- 5.3 Remove the 2 screws securing the pilot assembly, see Diagram 19, Arrow C.



- 5.4 Replace the pilot assembly, see 5.13.

Coal Effect

- 5.5 Gently pull the ignition lead off the electrode, see Diagram 20, Arrow A.
- 5.6 Remove the 2 screws securing the pilot assembly, see Diagram 20 Arrow B.

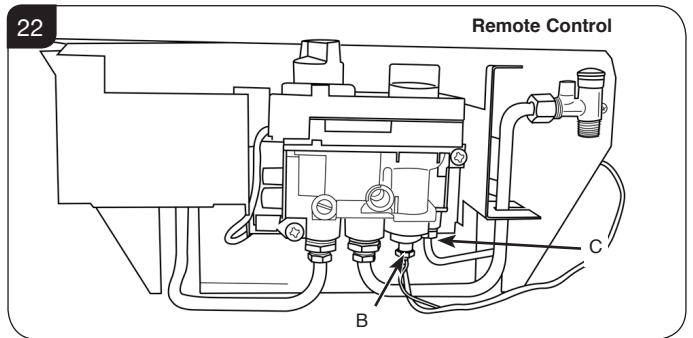
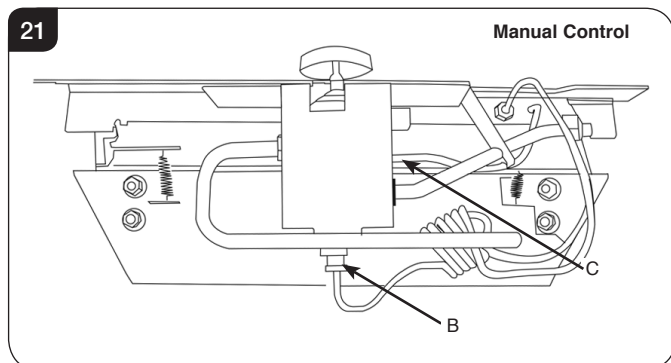


- 5.7 Follow the relevant instruction for your appliance.

- Manual or Remote Control, see 5.8.
- Slide Control models, see 5.10.

Manual Control & Remote Control

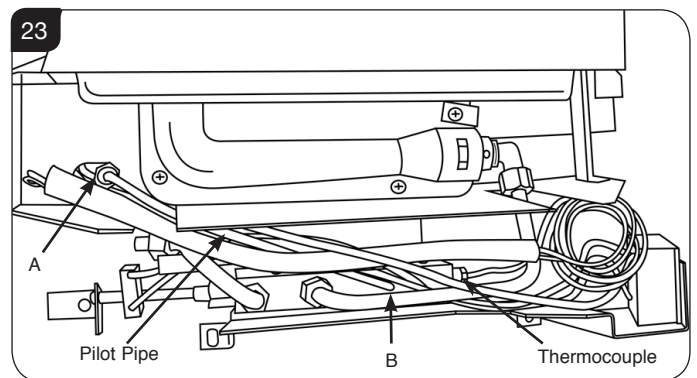
- 5.8 Undo the thermocouple connection at the back of the gas valve and the pilot pipe at the pilot unit, see Diagrams 21 or 22, Arrows B and C.



- 5.9 Replace the pilot assembly, see 5.13.

Slide Control

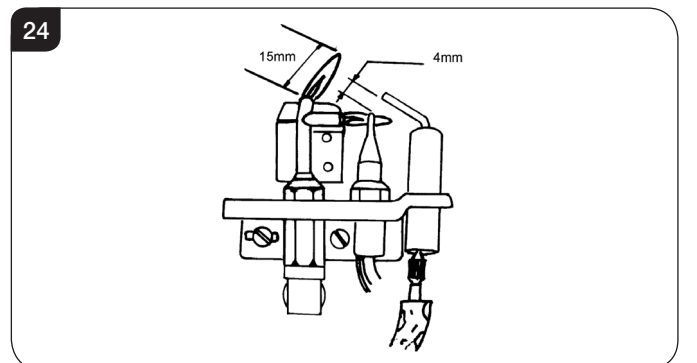
- 5.10 Undo the thermocouple connection from the side of the gas valve, see Diagram 23.
- 5.11 Undo the pilot pipe from the pilot unit, see Diagram 23, arrow A and from the gas valve, see Diagram 23, arrow B.



- 5.12 Replace the pilot assembly, see 5.13.

All Models

- 5.13 Replace with a new pilot assembly and check the spark gap, see Diagram 24.



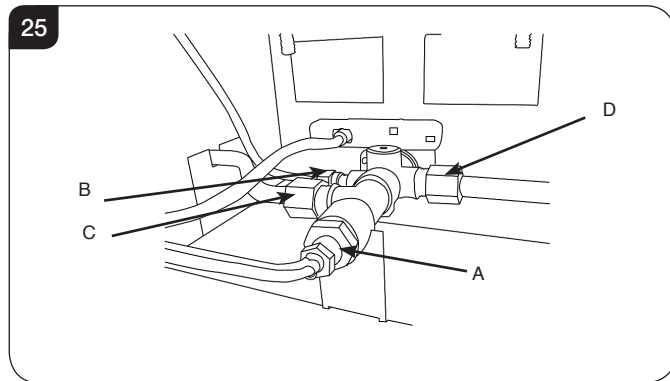
- 5.14 After reassembly check for gas soundness and carry out a flame failure functional check as detailed in the Fault Finding chart, especially the time it takes for the mag unit to close.

Servicing Instructions - Replacing Parts

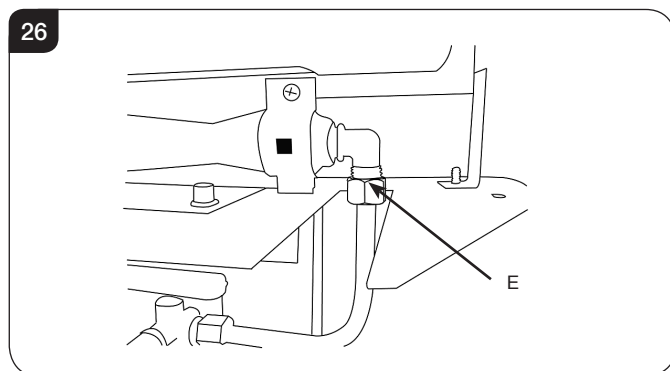
6. Gas Valve

Manual Control

- 6.1 To remove the gas valve first remove the thermocouple, see Diagram 25, Arrow A.



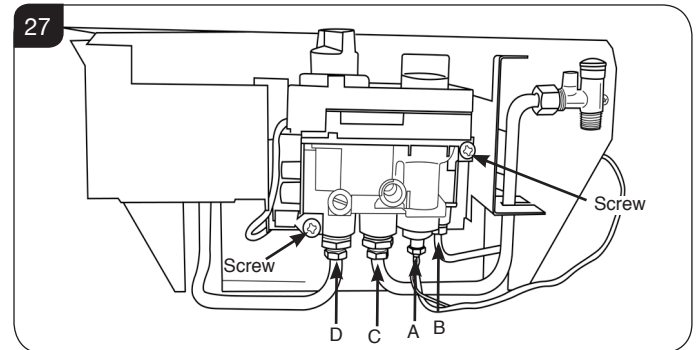
- 6.2 Undo the pilot pipe from the gas valve, see Diagram 25, Arrow B.
- 6.3 Undo the inlet pipe from the gas valve, see Diagram 25, Arrow C.
- 6.4 Undo the main injector feed pipe from the gas valve, see Diagram 25, Arrow D.
- 6.5 Disconnect the injector nut, see Diagram 26, Arrow E.



- 6.6 Undo the 2 bolts securing the gas valve to the appliance and remove the valve unit.
- 6.7 Replace in reverse order.
- 6.8 Check all joints for gas leaks, check operation of the thermocouple and ignition lead.

Remote Control

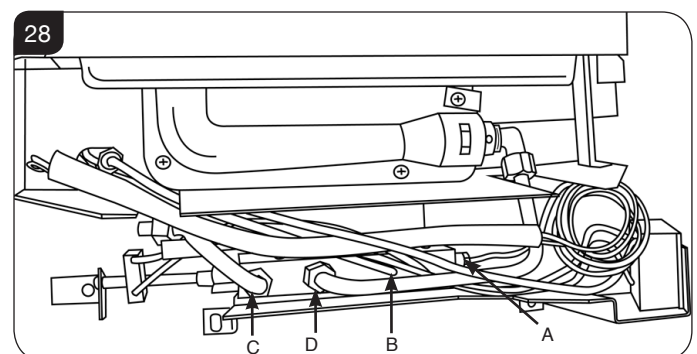
- 6.9 To remove the gas valve first remove the thermocouple, see Diagram 27, Arrow A.



- 6.10 Undo the pilot pipe from the gas valve, see Diagram 27, Arrow B.
- 6.11 Undo the inlet pipe from the gas valve, see Diagram 27, Arrow C.
- 6.12 Undo the main injector feed pipe from the gas valve, see Diagram 27, Arrow D.
- 6.13 Disconnect the ignition lead from the pilot unit.
- 6.14 Undo 2 screws securing the gas valve to the bracket, see Diagram 27.
- 6.15 The gas valve can now be removed from the burner unit.
- 6.16 To replace the gas valve reverse the above procedure.
- 6.17 Check for gas leaks.

Slide Control

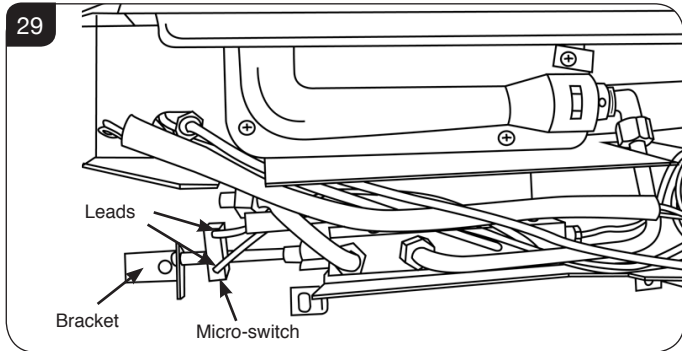
- 6.18 To remove the gas valve first remove the thermocouple, see Diagram 28, Arrow A.



- 6.19 Undo the pilot pipe from the gas valve, see Diagram 28, Arrow B.
- 6.20 Undo the inlet pipe from the gas valve, see Diagram 28, Arrow C.
- 6.21 Undo the main injector feed pipe from the gas valve, see Diagram 28, Arrow D.

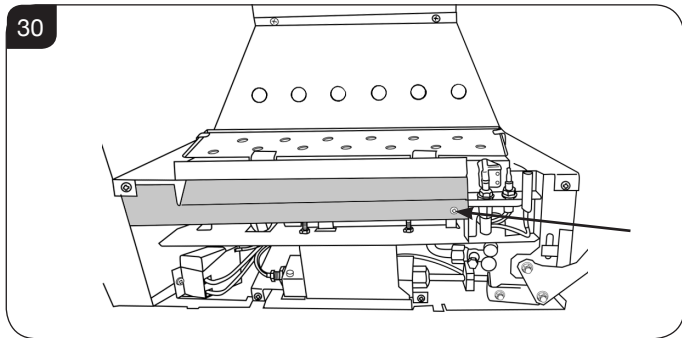
Servicing Instructions - Replacing Parts

6.22 Disconnect the 2 leads from the micro-switch, see Diagram 29.

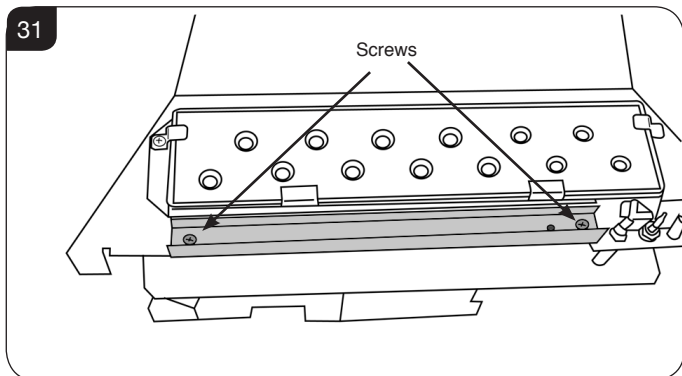


6.23 Undo the screw from the end of the spindle and remove the bracket, see Diagram 29. Ensure bracket is replaced during reassembly.

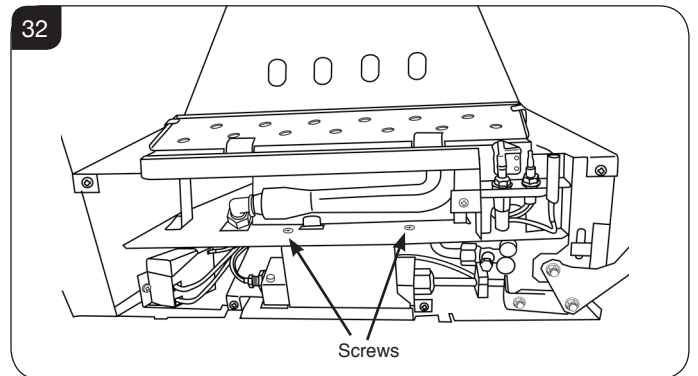
6.24 Remove the front baffle by undoing the screw securing it to the burner unit, see Diagram 30.
Ensure the baffle is replaced during re-assembly.



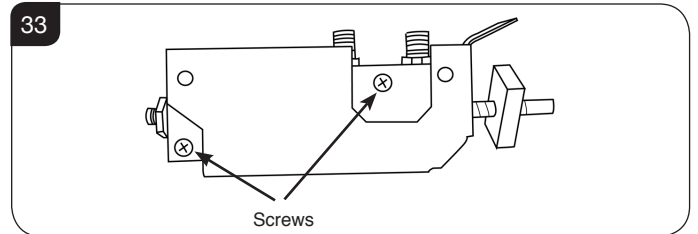
6.25 Remove the front channel from the top of the burner unit by undoing the 2 screws, see Diagram 31.
Note: When replacing the front channel ensure that the end with the 2 holes is located to the right side of the burner unit with the taller face to the front.



6.26 Undo the 2 screws securing the bracket to the bottom of the burner unit, see Diagram 21.



6.27 Undo 2 screws securing the gas valve to the bracket, see Diagram 33.

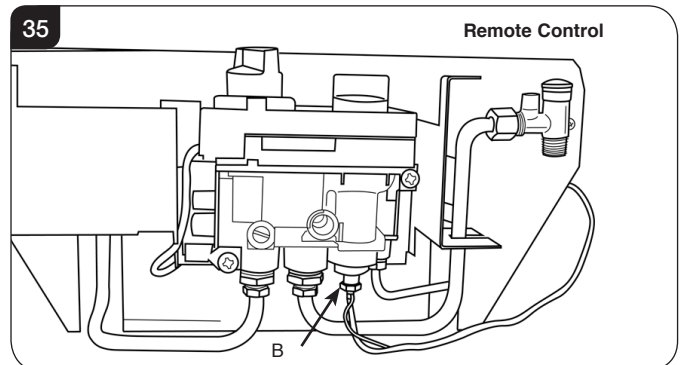
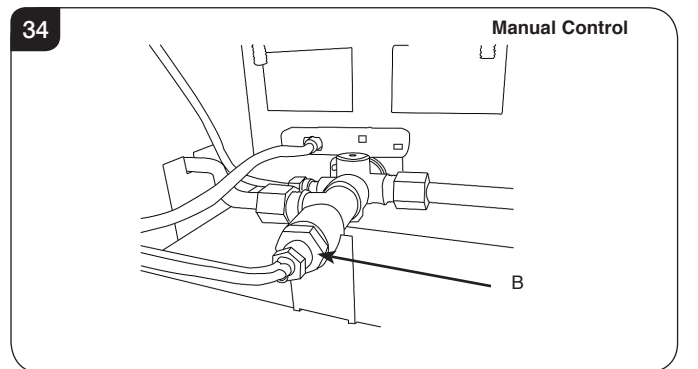


6.28 Replace in reverse order.

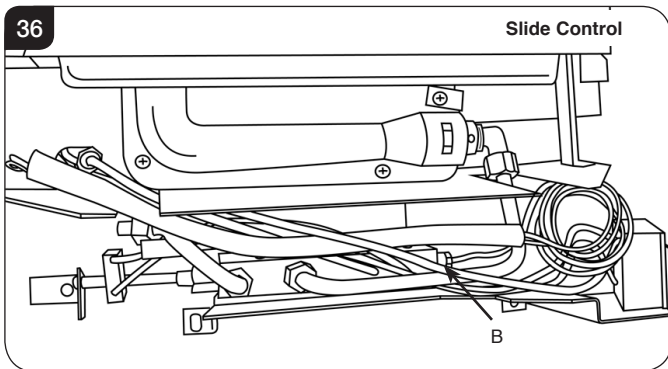
6.29 Check for gas leaks.

7. Mag Unit

7.1 Undo the thermocouple nut, see Diagram 34, 35 or 36, Arrow B.



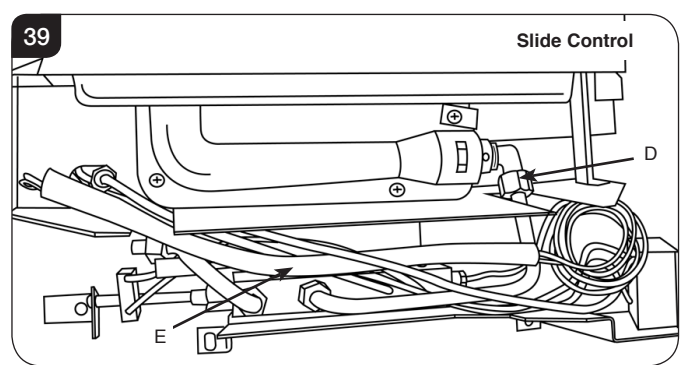
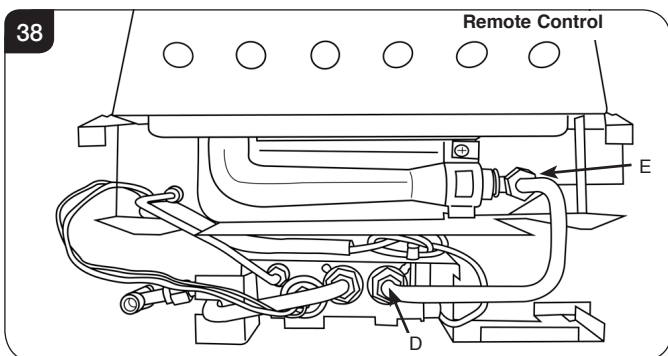
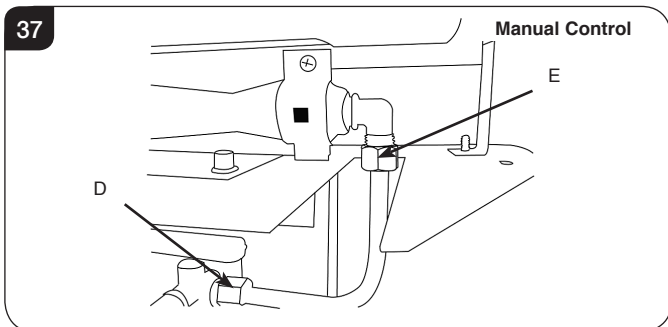
Servicing Instructions - Replacing Parts



- 7.2 Undo the mag unit retaining nut at the back of the control valve behind the thermocouple nut.
- 7.3 After removing the retaining nut, the mag unit can be tapped out and a replacement fitted:
- 7.4 Replace the mag unit retaining nut and tighten.
Note - this is a gas-tight seal.
- 7.5 Replace the thermocouple and check for gas leaks.
- 7.6 After reassembly, carry out the flame failure functional check as detailed in the Fault Finding chart, especially the time it takes for the mag unit to close.

8. Main Injector

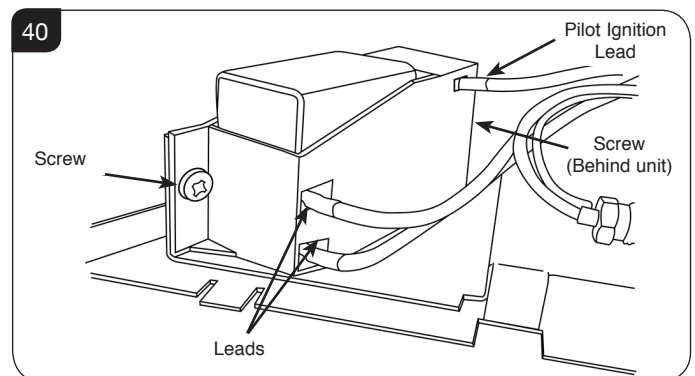
- 8.1 Undo the injector compression nut and valve nut, see Diagram 37, 38 or 39, Arrows D and E, and pull the pipe clear of the injector body.



- 8.2 Rotate the injector until it is fully removed.
- 8.3 Replace with the correct replacement injector. When ordering, always state the model, gas type and serial number.
- 8.4 Reassemble and turn the gas supply on, check for any leaks.

9. Ignition Unit (Slide Control Model only)

- 9.1 Remove the battery, see Section 2.
- 9.2 Remove the 2 leads and the pilot ignition lead from the ignition unit, see Diagram 40.



- 9.3 Undo the 2 screws securing the unit in place, see Diagram 40.
- 9.4 Replace in reverse order.

Servicing Instructions - Replacing Parts

10. Changing between Gas Types

The following parts must be changed when converting an appliance from one gas type to another:

Manual Control:

PART		COAL EFFECT	STONE EFFECT
BURNER ASSEMBLY	NG	GZ8373	GZ8322
	LPG	GZ8374	GZ8326
DATABADGE	NG	PR1055	PR1040
	LPG	PR1056	PR1054
BURNER COVER GASKET	NG	CE0273	N/A
	LPG	CE0498	NA/

Remote Control:

PART		COAL EFFECT	STONE EFFECT
BURNER ASSEMBLY	NG	GZ10745	GZ11166
	LPG	GZ11164	GZ11167
DATABADGE	NG	PR1877-LG-HE	PR1877-LG-HE
	LPG	PR1877-LG-HE	PR1877-LG-HE
BURNER COVER GASKET	NG	CE0273	N/A
	LPG	CE0498	N/A

Slide Control:

PART		COAL EFFECT	STONE EFFECT
BURNER ASSEMBLY	NG	GZ9523	GZ11130
	LPG	GZ11093	GZ11132
DATABADGE	NG	PR1590-LG-HE	PR1590-LG-HE
	LPG	PR1590-LG-HE	PR1590-LG-HE
BURNER COVER GASKET	NG	CE0273	N/A
	LPG	CE0498	N/A

All Models

Note: The control valve will be set for the particular appliance and gas type. In all instances, when ordering new parts, be sure to quote the appliance type and serial number.

Use only genuine Gazco replacement parts. Nonstandard components will invalidate the guarantee and may be dangerous.

Servicing Instructions - Replacing Parts

11. Spares Part Lists - Stone Effect

	Manual	Remote	Slide Control
STONE CHIPPINGS		CE0732	
ENAMEL PANEL		GZ8425	
NATURAL GAS PARTS			
MAIN INJECTOR		IN0044	
PILOT ASSEMBLY		PI0036	
AERATION PLATE		GZ3270	
GAS VALVE (NG ONLY)	GC0156	GC0088K	GC0168
LPG PARTS			
MAIN INJECTOR		IN0065	
PILOT ASSEMBLY		PI0037	
AERATION PLATE		GZ3867	
GAS VALVE (LPG ONLY)	GC0158	GC0088K	GC0168
MISCELLANEOUS			
MAG UNIT	GC0160	GC0092	GC0173
PIEZO UNIT	GC0159	-	-
IGNITION LEAD	-	GC0090	EL0578
CONTROL COVER	-	GC0087	-
UPGRADE KIT	-	8455	-
IGNITOR UNIT	-	-	EL0573
MICROSWITCH	-	-	EL0572

Servicing Instructions - Replacing Parts

12. Spares Part Lists - Coal Effect

	Manual	Remote	Slide Control
FRONT COAL		CE0490	
FLAME BAFFLE		CE0491	
SIDE PANEL LH		CE0482	
SIDE PANEL RH		CE0483	
REAR PANEL		CE0497	
TOP PANEL		CE0484	
COALS AND PEBBLES		CE0496	
NATURAL GAS PARTS			
MAIN INJECTOR		IN0064	
PILOT ASSEMBLY		PI0036	
AERATION PLATE		GZ3269	
GAS VALVE (NG ONLY)	GC0156	GC0088K	GC0168
RESTRICTOR PLATES	TBC	TBC	TBC
LPG PARTS			
MAIN INJECTOR		IN0031	
PILOT ASSEMBLY		PI0037	
AERATION PLATE		GZ3866	
GAS VALVE (LPG ONLY)	GC0158	GC0088K	GC0168
RESTRICTOR PLATES	TBC	TBC	TBC
MISCELLANEOUS			
MAG UNIT	GC0160	GC0092	GC0173
PIEZO UNIT	GC0159	-	-
IGNITION LEAD	-	GC0090	EL0578
CONTROL COVER	-	GC0087	-
UPGRADE KIT	-	8455	-
IGNITOR UNIT	-	-	EL0573
MICROSWITCH	-	-	EL0572

Service Records

1ST SERVICE

Date of Service
Next Service Due
Signed
Retailer's Stamp/Gas Safe Registration Number

2ND SERVICE

Date of Service
Next Service Due
Signed
Retailer's Stamp/Gas Safe Registration Number

3RD SERVICE

Date of Service
Next Service Due
Signed
Retailer's Stamp/Gas Safe Registration Number

4TH SERVICE

Date of Service
Next Service Due
Signed
Retailer's Stamp/Gas Safe Registration Number

5TH SERVICE

Date of Service
Next Service Due
Signed
Retailer's Stamp/Gas Safe Registration Number

6TH SERVICE

Date of Service
Next Service Due
Signed
Retailer's Stamp/Gas Safe Registration Number

7TH SERVICE

Date of Service
Next Service Due
Signed
Retailer's Stamp/Gas Safe Registration Number

8TH SERVICE

Date of Service
Next Due
Signed
Retailer's Stamp/Gas Safe Registration Number

9TH SERVICE

Date of Service
Next Service Due
Signed
Retailer's Stamp/Gas Safe Registration Number

10TH SERVICE

Date of Service
Next Service Due
Signed
Retailer's Stamp/Gas Safe Registration Number

Gazco Limited, Osprey Road, Sowton Industrial Estate, Exeter, Devon, England EX2 7JG
Technical Customer Services: (01392) 261950 Fax: (01392) 261951
E-mail: technicalservices@gazco.com

A member of the Stovax Group
E & O E