



Yeoman CL Range

Balanced Flue Log Effect Stove

With Upgradeable Control Valve



Instructions for Use, Installation and Servicing

For use in GB, IE (Great Britain and Republic of Ireland)

IMPORTANT

THE OUTER CASING, FRONT AND GLASS PANEL BECOME EXTREMELY HOT DURING OPERATION AND WILL RESULT IN SERIOUS INJURY AND BURNS IF TOUCHED. IT IS THEREFORE RECOMMENDED THAT A FIREGUARD COMPLYING WITH BS 8423 (LATEST EDITION) IS USED IN THE PRESENCE OF YOUNG CHILDREN, THE ELDERLY OR INFIRM.

ENSURE THAT ALL COMBUSTIBLE MATERIALS ARE NOT POSITIONED ABOVE OR NEAR TO THE APPLIANCE OUTER CASING.

This product contains a heat resistant glass panel. This panel should be checked during Installation and at each servicing interval. If any damage is observed on the front face of the glass panel (scratches, scores, cracks or other surface defects), the glass panel must be replaced and the appliance must not be used until a replacement is installed. Under no circumstances should the appliance be used if any damage is observed, the glass panel is removed or broken.

It is essential that ALL of the screws that retain the glass frame are replaced and tightened correctly. Under no circumstances should the appliance be operated if any of these screws are loose or missing.

These Instructions must be left with the appliance for future reference and for consultation when servicing the appliance. Please make the customer aware of the correct operation of the appliance before leaving these instructions with them.

The commissioning sheet found on Page 3 of this Instruction manual must be completed by the Installer prior to leaving the premises.

Contents

Yeoman CL Range - Balanced Flue

Covering the following models:

Model	NATURAL GAS		LPG	
	Top Exit	Rear Exit	Top Exit	Rear Exit
CL3	N/A	YM581-038	N/A	YM581-443
CL5	YM581-114	YM581-100	YM581-536	YM581-503
CL8	YM581-207	YM581-174	YM581-654	YM581-601

Appliance Commissioning Checklist3

User Instructions4

Installation Instructions12

Technical Specifications 12

Site Requirements 15

Installation 20

Commissioning 32

Servicing Instructions.....33

Fault Finding 33

How to Replace Parts 35

Spare Parts List 44

Service Records 53

Information Requirement - Gas Heaters 54



If you have purchased your stove or fire from an authorised stockist within our Expert Retailer Network, then automatically your product will carry a 2 year warranty as standard. The 2 year warranty can be further extended to a total warranty period of 5 years by registering your Yeoman Stove or Fireplace within one month of the latter of the purchase date or installation date. Accordingly, the start date for the warranty period is the date of purchase. During the registration process, the Expert Retailer details will be required for your Extended Warranty to be activated. Any product purchased outside of our Expert Retailer Network will carry a standard 12 month, non-extendable warranty.

It is a condition of the Extended Warranty that the installation complies with the relevant Building Regulations and is carried out by a suitably trained and qualified individual (GasSafe in the UK or equivalent in other countries) with the certificate of installation and the Commissioning Report on Page 3 completed and retained by the end user.

Full terms and conditions are detailed in the Warranty Statement on the Yeoman website www.yeomanstoves.com. In the event of any conflict of information the wording on the website shall prevail.

Important Note: Should any problems be experienced with your product, claims must first be submitted to the Expert Retailer where the appliance was purchased from who will offer immediate assistance or contact Yeoman on your behalf.



It is a requirement of the Building Regulations 2010 that the installation of this appliance is notified to the Local Authority. It is the responsibility of the GasSafe registered installer to carry out this notification to the Local Authority via the GasSafe register Competent Persons Scheme in England and Wales (different rules apply in Scotland and Northern Ireland).

When the installation has been notified, GasSafe will send a Building Regulations Compliance Certificate to you containing details of the work completed. Please ensure that the person responsible for the installation of this appliance completes this notification and records it in the Appliance Commissioning Checklist on page 3.

IT IS YOUR RESPONSIBILITY TO COMPLY WITH THE BUILDING REGULATIONS AND BE ABLE TO PRODUCE THIS CERTIFICATE SHOULD IT BE REQUIRED IN THE FUTURE.

Appliance Commissioning Checklist

To assist us in any guarantee claim please complete the following information:-

IMPORTANT NOTICE

Explain the operation of the appliance to the end user, hand the completed instructions to them for safe keeping, as the information will be required when making any guaranteed claims.

FLUE CHECK	PASS	FAIL	
1. Flue Is correct for appliance			
2. Flue flow Test N/A			
3. Spillage Test N/A			
GAS CHECK			
1. Gas soundness & let by test			
2. Standing gas pressure	mb		
3. Appliance working pressure (on High Setting) Minimum Pressure Requirement: NG - 17.5mbar LPG - 34.5mbar NB All other gas appliances must be operating on full	mb		
4. Gas rate	m ³ /h		
5. Does Ventilation meet appliance requirements N/A			
6. Have controls been upgraded (Upgradeable models only)	8455 Standard	YES	NO
	8456 Programmable Thermostatic and Timer	YES	NO
SAFETY CHECK			
1. Check soundness of the Thermocouple connections - including tightness and lead integrity			
2. Glass checked to ensure no damage, scratches, scores or cracks			
3. Glass frame secured correctly and all screws replaced			
BUILDING CONTROL NOTIFICATION	YES	NO	
1. Installer notified GasSafe/Local Authority of installation via Competent Persons Scheme?			

RETAILER AND INSTALLER INFORMATION

Retailer	Installation Company.....
.....
.....
Contact No.....	Engineer.....
Date of Purchase.....	Contact No.....
Model No.	GasSafe Reg No.
Serial No.....	Date of Installation
Gas Type	

User Instructions

Welcome

Congratulations on purchasing your Yeoman CL stove, if installed correctly Yeoman hope it will give you many years of warmth and pleasure for which it was designed.

The purpose of this manual is to familiarise you with your appliance, and give guidelines for its installation, operation and maintenance. If, after reading, you need further information, please do not hesitate to contact your Yeoman retailer.

WARNING



In the event of a gas escape or if you can smell gas, please take the following steps:

- **Immediately turn off the gas supply at the meter/emergency control valve**
- **Extinguish all sources of ignition**
- **Do not smoke**
- **Do not operate any electrical light or power switches (On or Off)**
- **Ventilate the building(s) by opening doors and windows**
- **Ensure access to the premises can be made**

Please report the incident immediately to the National Gas Emergency Service Call Centre on 0800 111 999 (England, Scotland and Wales) , 0800 002 001 (N. Ireland) or in the case of LPG, the gas supplier whose details can be found on the bulk storage vessel or cylinder.

The gas supply must not be used until remedial action has been taken to correct the defect and the installation has been recommissioned by a competent person.

1. General

- 1.1 Installation and servicing must only be carried out by a competent person whose name appears on the GasSafe register. To ensure the engineer is registered with GasSafe they should possess an ID Card carrying the following logo:



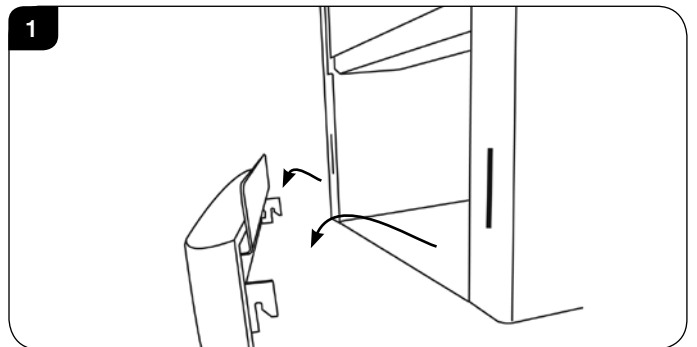
- 1.2 In all correspondence, please quote the appliance type and serial number, which can be found on the data badge. The databadge is located on a chain behind the lower plinth.
- 1.3 **Do not** place curtains above the appliance: You must have 300mm clearance between the appliance and any curtains at either side.

- 1.4 No furnishings or other objects should be placed within 1 metre of the front of the appliance.
- 1.5 If a shelf is fitted, a distance of 225mm above the appliance is required.
- 1.6 If any cracks appear in the glass panel do not use the appliance until the panel has been replaced.
- 1.7 If, for any reason, the flue has to be removed from the appliance, the seals must be replaced in the inner spigot.
- 1.8 Do not obstruct the flue terminal in any way i.e. by planting flowers, trees shrubs etc. in the near vicinity, or by leaning objects up against the terminal guard.
- 1.9 Do not put any objects on the terminal guard; it will lose its shape.
- 1.10 Do not use a garden sprinkler or hose near the terminal.
- 1.11 This product is guaranteed for 5 years from the date of installation, as set out in the terms and conditions of sale between Yeoman and your local Yeoman Retailer. Please consult with your local Yeoman Retailer if you have any questions. In all correspondence always quote the Model Number and Serial Number.

2. Operating the Appliance

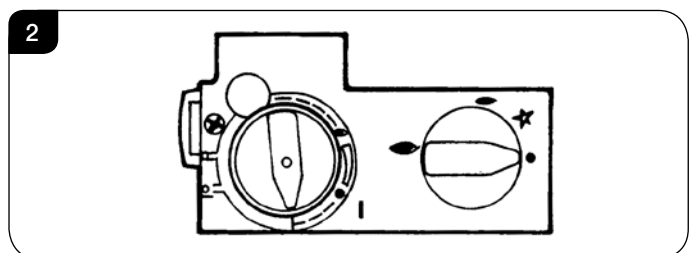
The control valve is located behind the plinth.

- 2.1 Remove the plinth to access the controls by lifting the hooks clear of the slots on the front of the appliance, see Diagram 1.



The valve has two controls, see Diagram 2.

1. The right-hand knob controls the pilot ignition.
2. The left-hand knob controls the main burner.



- 2.2 Refer to separate instructions if your appliance is upgraded to include battery remote control. The instructions below apply whether or not you have the remote upgrade.

User Instructions

Lighting the Pilot

2.3 To start the left-hand and right-hand control knobs must both point to off (●):

2.4 Press in the right-hand control knob and rotate anti-clockwise until a click is heard. Continue to press in. The knob points to the pilot (←).

The pilot is lit.

2.5 Keep the knob depressed for 10 seconds before releasing. The pilot remains lit.

Repeat the above steps if the pilot does not stay lit.

NOTE: If the pilot goes out, the Interlock system prevents you lighting again for a short period.

2.6 If, after repeating the above steps the pilot does not light, contact your Retailer or Installer.

2.7 Turn the right-hand knob to the left to main burner setting (↔).

Adjusting the Flame height

2.8 You can now adjust the flame height and temperature using the left-hand control knob.

2.9 Turn the left-hand knob anti-clockwise to increase the flame height.

2.10 Turn clockwise to decrease the height.

i **IMPORTANT: YELLOW FLAMES TYPICALLY APPEAR WHEN THE APPLIANCE HAS REACHED NORMAL OPERATING TEMPERATURE. THIS CAN TAKE UP TO 30 MINUTES.**

! **WARNING: IF THE APPLIANCE FAILS TO LIGHT OR BECOMES EXTINGUISHED IN USE, WAIT 3 MINUTES BEFORE ATTEMPTING TO RELIGHT.**

3. Turning OFF the Appliance

3.1 To turn the main burner off turn the left-hand knob until it points to off (●). Just the pilot remains lit.

3.2 Press in and turn the right-hand knob until it points to off (●). The pilot goes out.

4. Upgrading the Appliance

4.1 The appliance is fitted with a control valve that can easily be upgraded to battery powered remote control.

There are two versions of this control which can be obtained through your local Yeoman stockist.

There is no requirement for this upgrade to be carried out by an approved Gas engineer. However Yeoman recommend that this task is undertaken by a suitably competent person.

4.2 This upgrade can be fitted before or after installation but if side clearances are limited then it will be easier to upgrade the appliance before installation. Full instructions are included with the kit.

i **If the appliance is left unattended for long periods of time (e.g. vacation), it is recommended to place the control valve in the Off or Pilot position.**
Take care when leaving the appliance unattended, in exceptional circumstances sound waves from sources other than the transmitter can cause changes in the flame height adjustment.
DO NOT install two or more appliances using upgradeable controls in the same room, interference between the remote control frequencies can occur.

Standard Remote Control (PART NUMBER 8455)

4.3 This remote control can control the gas appliance after the pilot has been lit. It can turn the main burner on and regulate it from low through to high and back again. It can turn the main burner off leaving the pilot burning.

Thermostatic and Timer Remote Control (PART NUMBER 8456)

4.4 This remote control can control the gas appliance after the pilot has been lit.

MANUAL MODE

Can be used to turn the main burner on and manually regulate it from low through to high and back again. It can also be used to turn the main burner off leaving the pilot burning.

AUTO MODE

Will automatically regulate the room to a pre-set temperature.

TIMER MODE

Will turn the appliance on and off according to a pre-set programme and automatically regulate the room temperature during the two on periods.

User Instructions

5. Cleaning the Appliance



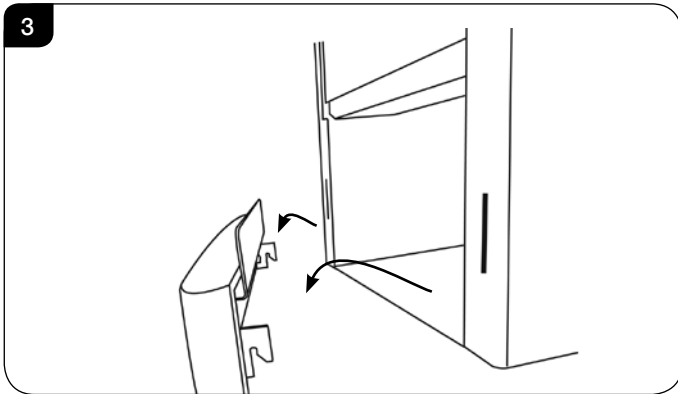
IMPORTANT: THE OUTER PANNELLING OF THE YEOMAN CL IS MADE FROM CAST IRON. USE CAUTION WHEN INSTALLING, REMOVING AND STORING AS THE COMPONENTS ARE HEAVY AND SHOULD BE HANDLED CAREFULLY.

5.1 Make sure the fire and surrounds are cool before cleaning.

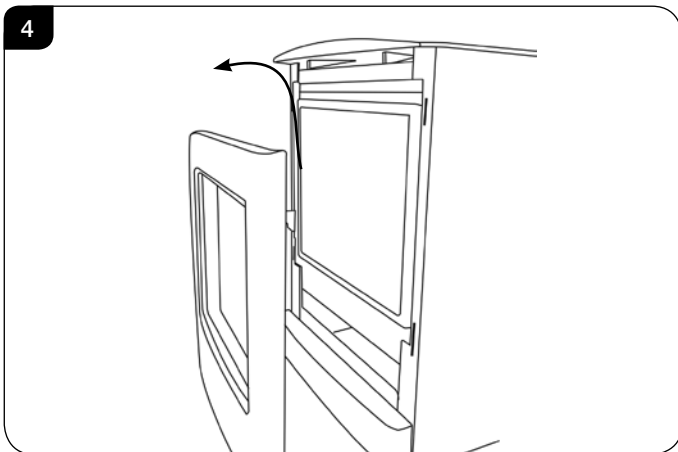
Use:

- A dry cloth to clean the appliance casting.
- A damp cloth for the glass front.

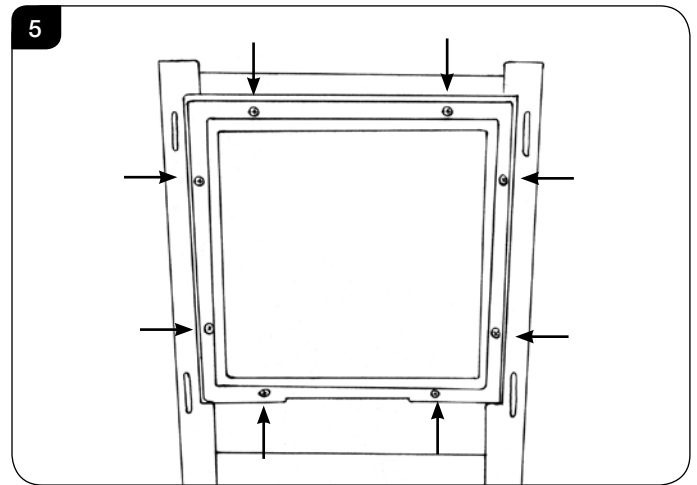
5.2 Remove the plinth to access the controls by lifting the hooks clear of the slots on the front of the appliance, see Diagram 3.



5.3 Remove the frame to gain complete access to the control valve and the viewing aperture by lifting the hooks clear of the slots on the front of the appliance, see Diagram 4.



5.4 Using screwdriver remove the eight screws securing the window panel to the appliance, see Diagram 5. Take care to support the glass when removing the screws.



5.5 The glass frame must be refitted to the appliance following cleaning or servicing. Hold in position and secure with the screws.

5.6 Replace ALL of the securing screws ensuring that a screw is present in all fixing slots.



UNDER NO CIRCUMSTANCES SHOULD THE APPLIANCE BE USED IF ANY OF THE GLASS FRAME RETAINING SCREWS ARE LOOSE OR MISSING.

User Instructions

6. Arrangement of Fuel Bed

Advice on handling and disposal of fire ceramics



The fuel effect of the log version of this appliance is made from Refractory Ceramic Fibre (RCF), a material which is commonly used for this application.

Protective clothing is not required when handling these articles, but we recommend you follow normal hygiene rules of not smoking, eating or drinking in the work area and always wash your hands before eating or drinking.

To ensure that the release of RCF fibres are kept to a minimum, during installation and servicing a HEPA filtered vacuum is recommended to remove any dust accumulated in and around the appliance before and after working on it. When servicing the appliance it is recommended that the replaced items are not broken up, but are sealed within heavy duty polythene bags and labelled as RCF waste.

RCF waste is classed as stable, non-reactive hazardous waste and may be disposed of at a licensed landfill site.

Excessive exposure to these materials may cause temporary irritation to eyes, skin and respiratory tract; wash hands thoroughly after handling the material.

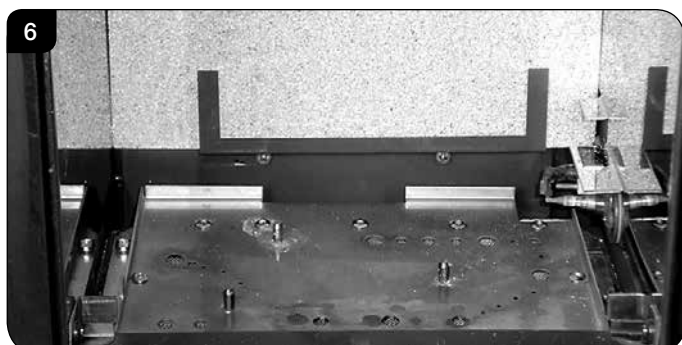
7. Log Layout

LOGS MUST BE POSITIONED ACCORDING TO THE FOLLOWING INSTRUCTIONS TO GIVE THE CORRECT FLAME EFFECT.

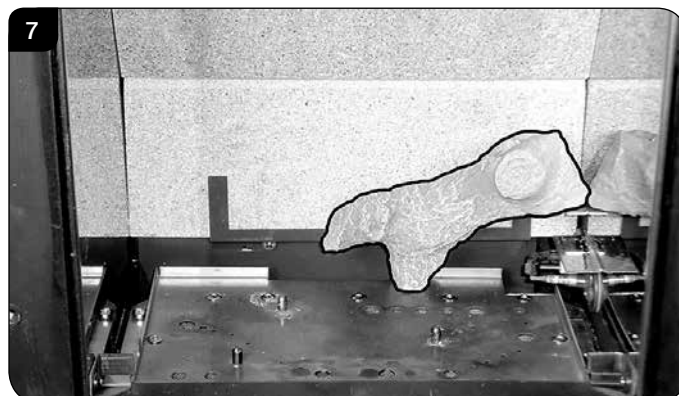
CL3 Layout

All logs can be identified by a letter (A - E) on their underside. Logs B and E also have holes to locate each onto a burner stud.

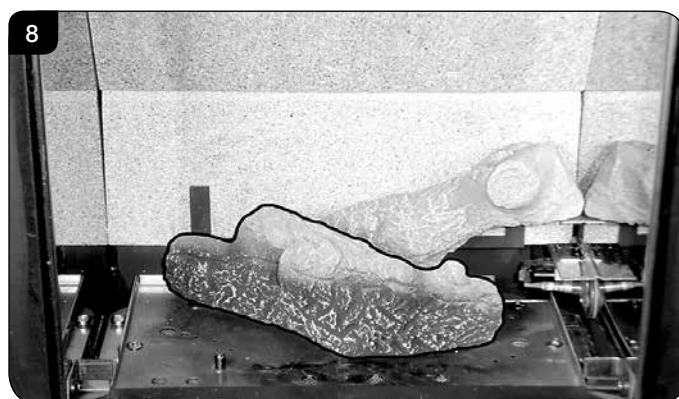
- 7.1 Ensure the burner tray is clean and free from any debris, see Diagram 6.



- 7.2 Place Log A on the higher rear bracket and push up against the back panel, see Diagram 7.



- 7.3 Place Log B over the two middle studs on the burner tray, see Diagram 8.



- 7.4 Place Log E onto the stud and behind the tag on the left hand side of the burner tray. Rest against Log B, see Diagram 9.



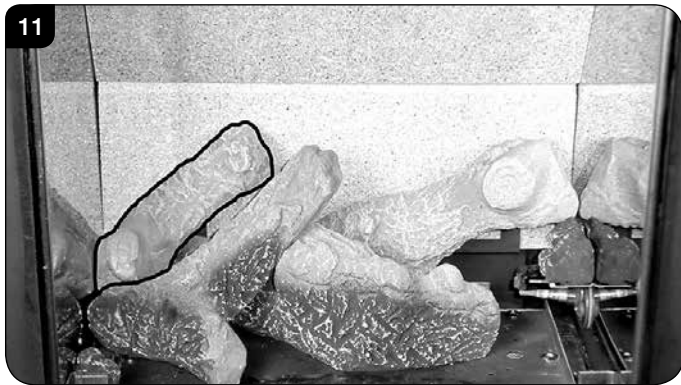
User Instructions

- 7.5 Place the small Ember at the front left of the firebox, against the rear of the log support bracket to obscure the reflection of the burner screw.

Place the larger Ember on the lower bracket above the pilot on the right hand side with the thicker edge facing the front and flat edges to the base and side, see Diagram 10.



- 7.6 Log C rests on the cutout on Log E and is pushed up to the side and rear of the firebox, see Diagram 11.



- 7.7 Place the pointed bottom of log D into the corner of the burner tray and rest on the location stud on log B, see Diagram 12.



- 7.8 Sparingly spread an amount of the Embaglow fibres provided, covering the ports in the burner tray. Use a small piece in front of the log on the left hand side and a long strip in front of log B, see Diagram 13.

Take care not to use more than half a packet per application.

WARNING - DO NOT PLACE NEAR THE PILOT AREA.

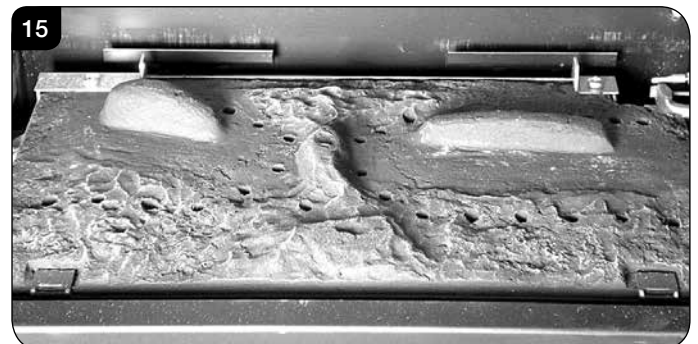


- 7.9 Lower log guard into position, see Diagram 14.



CL5 Layout

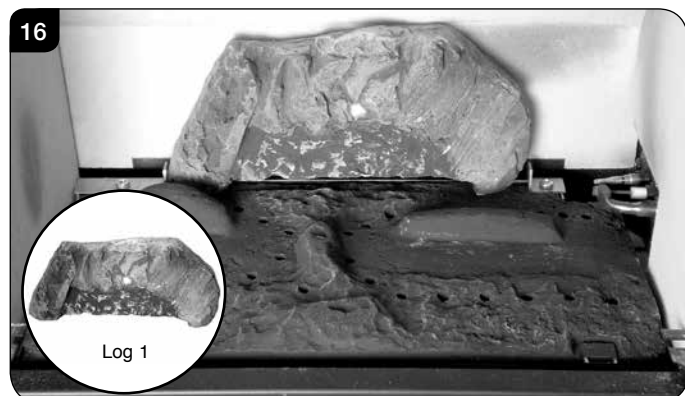
- 7.10 Ensure the burner tray is clean and free from any debris, see Diagram 15.



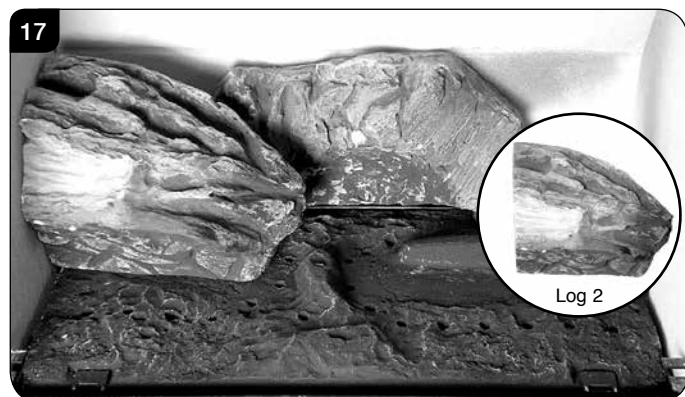
The three logs that make up the fuel bed are visually distinct and fit into specific parts on the burner tray.

User Instructions

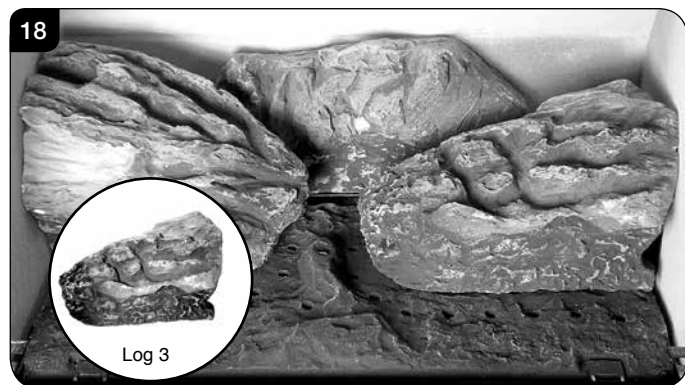
- 7.11 Place the rear log into position between the rear brackets and pushed up against the back panel, see Diagram 16.



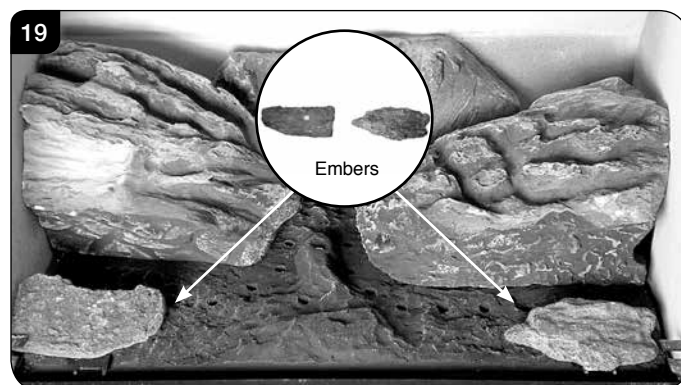
- 7.12 Place the second log into the left hand groove on the burner tray, see Diagram 17. The log should butt up against the raised molding and the left hand side liner.



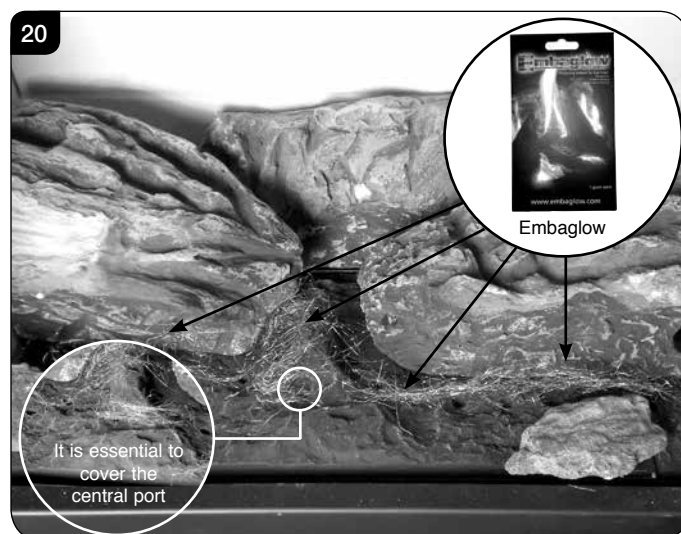
- 7.13 Place the third log into the groove on the right hand side, see Diagram 18. The log should butt up against the raised molding and the right hand side liner.



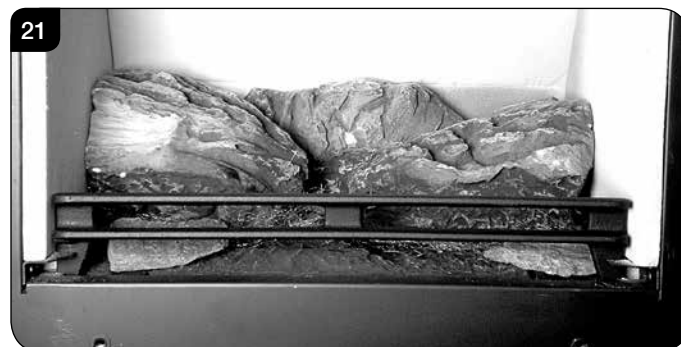
- 7.14 Once the logs are in there are two embers which can be loosely placed at the front of the fuel bed and cover the tabs securing the burner tray, see Diagram 19.



- 7.15 Sparingly spread an amount of the Embaglow fibres provided, covering the ports in the burner tray, see Diagram 20. **It is essential to cover the port in the middle of the burner tray in order to get the most visually appealing flame picture.** Take care not to use more than half a packet per application. **WARNING - DO NOT PLACE NEAR THE PILOT AREA.**



- 7.16 Fix log guard into position, see Diagram 21.

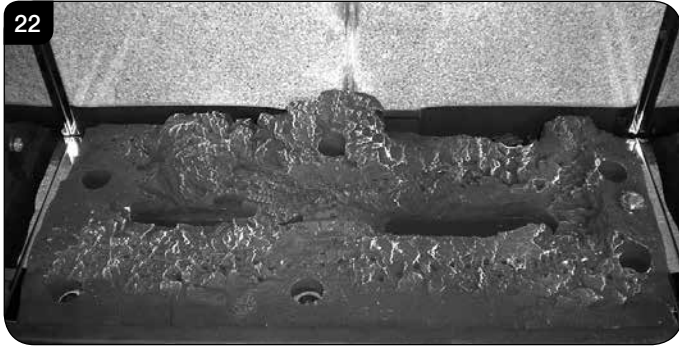


User Instructions

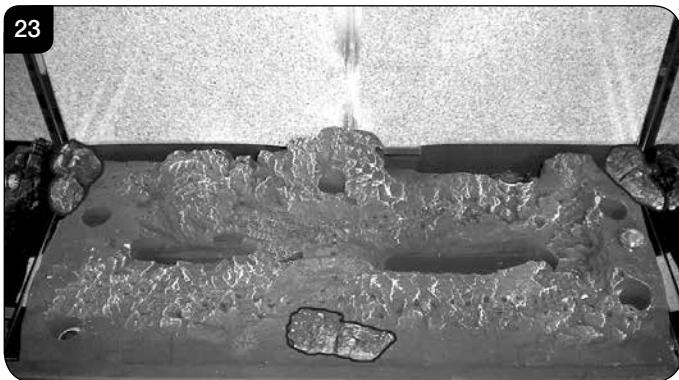
CL8 Layout

The logs for the fuel bed are clearly individually labelled, A to D.

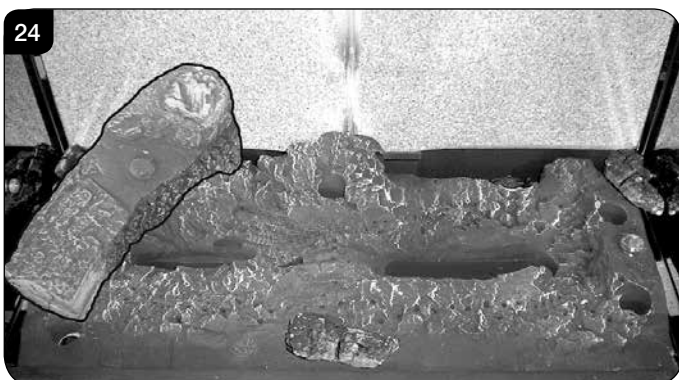
- 7.17 Ensure the burner tray is clean and free from any debris, see Diagram 22.



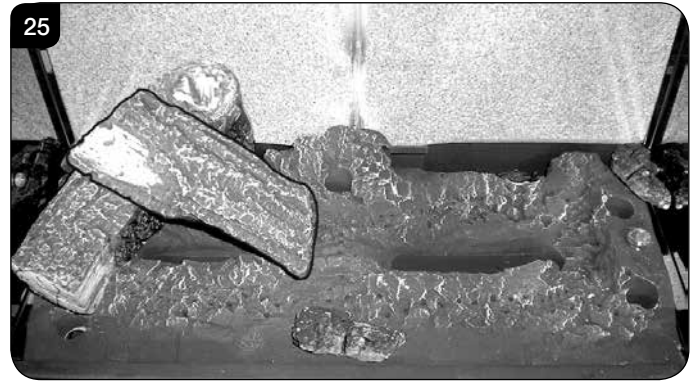
- 7.18 There are 3 embers. Place 2 embers in the back corners of the burner, resting in the cut outs, see Diagram 23. Place the last ember loosely at the front of the fuel bed to cover the hole in the centre.



- 7.19 Place Log D on the left hand side of the burner. There is a hole on the underside of Log D which fits over the raised stud on the left of the burner. The back of the log should rest flat against the back panel, see Diagram 24.



- 7.20 Place Log B on top of Log D. There is a hole on the underside of Log B which fits over the raised stud on Log D to secure in place. The right hand side of the log rests in the groove in the burner, see Diagram 25.



- 7.21 Place Log C on the right hand side of the burner. There is a hole on the underside of Log C which fits over the raised stud on the right of the burner. The back of the log should rest flush against the back panel, see Diagram 26.



- 7.22 Place the log guard into position on the grooves on the sides of the firebox, see Diagram 27.



User Instructions

- 7.23 Place Log A across Log C. There is a hole on the underside of Log A which fits over the raised stud on Log C to secure in place. The small cut out on the left side of the log rests onto the log guard, see Diagram 28.

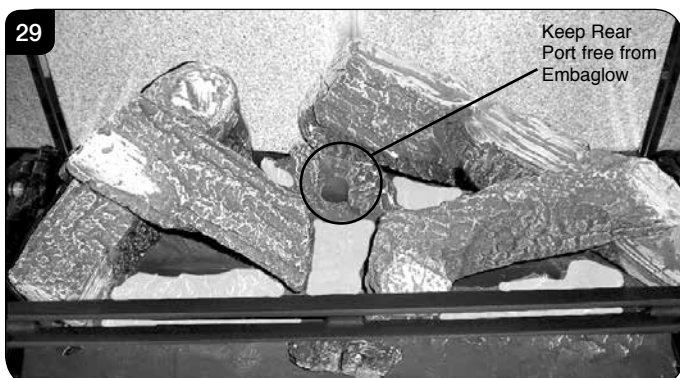


- 7.24 Once the logs are in place use some of the Embaglow wire wool provided and sparingly cover the ports in the burner tray in the highlighted areas shown in Diagram 29.

Take care not to use more than half a packet per application.

WARNING - DO NOT PLACE NEAR THE PILOT AREA.

IT IS ESSENTIAL TO KEEP THE REAR PORT FREE FROM OBSTRUCTION.



- 7.25 Once the fuel bed arrangement is complete, replace the glass frame and secure, see User Section 5.

8. Flame Failure Device

- 8.1 This is a safety feature incorporated on this appliance which automatically switches off the gas supply if the pilot goes out and fails to heat the thermocouple.

IF THIS OCCURS DO NOT ATTEMPT TO RELIGHT THE APPLIANCE FOR 3 MINUTES.

9. Running In

- 9.1 During initial use of a new YEOMAN appliance a strong odour will be encountered as various surface coatings become hot for the first time. Although these odours are harmless it is recommended that the appliance is operated on maximum for 4 to 8 hours in order to fully burn off these coatings. After this period the odours should then disappear.

If the odours persists, please contact your installer for advice.

- 9.2 During the first few hours of burning there may be discolouration of the flames. This will also disappear after a short period of use.

10. Servicing

- 10.1 The appliance must be serviced every 12 months by a qualified Gas Engineer. In all correspondence always quote the Model number and the Serial number which may be found on the Commissioning Checklist (Page 3).

11. Ventilation

- 11.1 This appliance requires no additional ventilation.

12. Installation Details

- 12.1 Your installer should have completed the commissioning sheet at the front of this book. This records the essential installation details of the appliance. In all correspondence always quote the Model number and Serial number.

13. Hot Surfaces

- 13.1 Parts of this appliance become hot during normal use.
- 13.2 Provide a suitable fire guard to protect young children and the infirm.

Installation Instructions

Technical Specification

Covering the following models:

Model	NATURAL GAS		LPG	
	Top Exit	Rear Exit	Top Exit	Rear Exit
CL3	N/A	YM581-038	N/A	YM581-443
CL5	YM581-114	YM581-100	YM581-536	YM581-503
CL8	YM581-207	YM581-174	YM581-654	YM581-601

Model	Gas CAT.	Gas Type	Working Pressure	Aeration	Injector	Gas Rate m ³ /h	Input kW (Gross)		Country
							High	Low	
CL3 BF	I ₂ H	Natural (G20)	20mbar	6mm x 6mm	185	0.305	3.2	2	GB, IE
	I ₃ P	Propane (G31)	37mbar	8mm x 15mm	90	0.117	3.1	2	GB, IE
CL5 BF	I ₂ H	Natural (G20)	20mbar	6mm x 10mm	158	0.409	4.3	2.5	GB, IE
	I ₃ P	Propane (G31)	37mbar	6mm x 10mm	110	0.162	4.3	2.5	GB, IE
				16mm x 23mm					
CL8 BF	I ₂ H	Natural (G20)	20mbar	2 x 9mm Ø	390	0.629	6.6	3.9	GB, IE
	I ₃ P	Propane (G31)	37mbar	2 x 18mm Ø	185	0.248	6.6	3.7	GB, IE
CL3 - Efficiency Class 1 - 85.1% Net / NOx Class 4									
CL5 - Efficiency Class 1 - 95.4% Net / NOx Class 4									
CL8 - Efficiency Class 1 - 90.8% Net/ NOx Class 4									
Flue Outlet Size Ø 100mm									
Flue Inlet Size Ø 150mm									
Gas Inlet Connection Size Ø 8mm									

i The net efficiency of this appliance has been measured as specified in EN613:2001 and the result after conversion to gross using the appropriate factor from Table E4 of SAP 2012 is 73% for the CL3, 85.95% for the CL5, and 81.81% for the CL8. The test data has been certified by Kiwa Nederland BV. The gross efficiency value may be used in the UK Government's Standard Assessment Procedure (SAP) for energy rating of dwellings.

Installation Instructions

Technical Specification

RESTRICTOR REQUIREMENT CL3 & CL5 ONLY				
VERTICAL & HORIZONTAL FLUE			TOP EXIT - VERTICAL ONLY INCLUDING OFFSET	
CL3 & CL5 BF			CL5 BF	
Vertical Flue Height	Horizontal Length	Restrictor Size	Vertical Flue Height	Restrictor Size
500mm - 999mm	250mm - 1000mm	No restrictor	3000 - 4999mm	Ø 52mm (Sliding)
1000mm - 1999mm	250mm - 1000mm	Ø 60mm	5000mm - 10,000mm	Ø 40mm (Sliding)
2000mm - 3000mm	250mm - 5000mm	Ø 52mm		

RESTRICTOR REQUIREMENT NAT. GAS				
VERTICAL & HORIZONTAL FLUE			TOP EXIT - VERTICAL ONLY INCLUDING OFFSET	
CL8 BF			CL8 BF	
Vertical Flue Height	Horizontal Length	Restrictor Size	Vertical Flue Height	Restrictor Size
500mm - 999mm	Up to 1000mm	Ø 80mm	3000mm - 5999mm	Ø 47mm (Sliding)
1000mm - 1499mm	upto 1000mm	Ø 70mm	6000mm - 10000mm	Ø 40mm (Sliding)
1500mm - 3000mm	upto 2000mm	Ø 60mm		
1500mm - 3000mm	2000mm - 5000mm	Ø 70mm		

RESTRICTOR REQUIREMENT LPG				
VERTICAL & HORIZONTAL FLUE			TOP EXIT - VERTICAL ONLY INCLUDING OFFSET	
CL8 BF			CL8 BF	
Vertical Flue Height	Horizontal Length	Restrictor Size	Vertical Flue Height	Restrictor Size
500mm - 999mm	Up to 1000mm	N/A	3000mm - 5999mm	Ø 52mm (Sliding)
1000mm - 1499mm	upto 1000mm	Ø 80mm	6000mm - 10000mm	Ø 47mm (Sliding)
1500mm - 3000mm	upto 2000mm	Ø 70mm		
2000mm - 3000mm	2000mm - 5000mm	Ø 80mm		

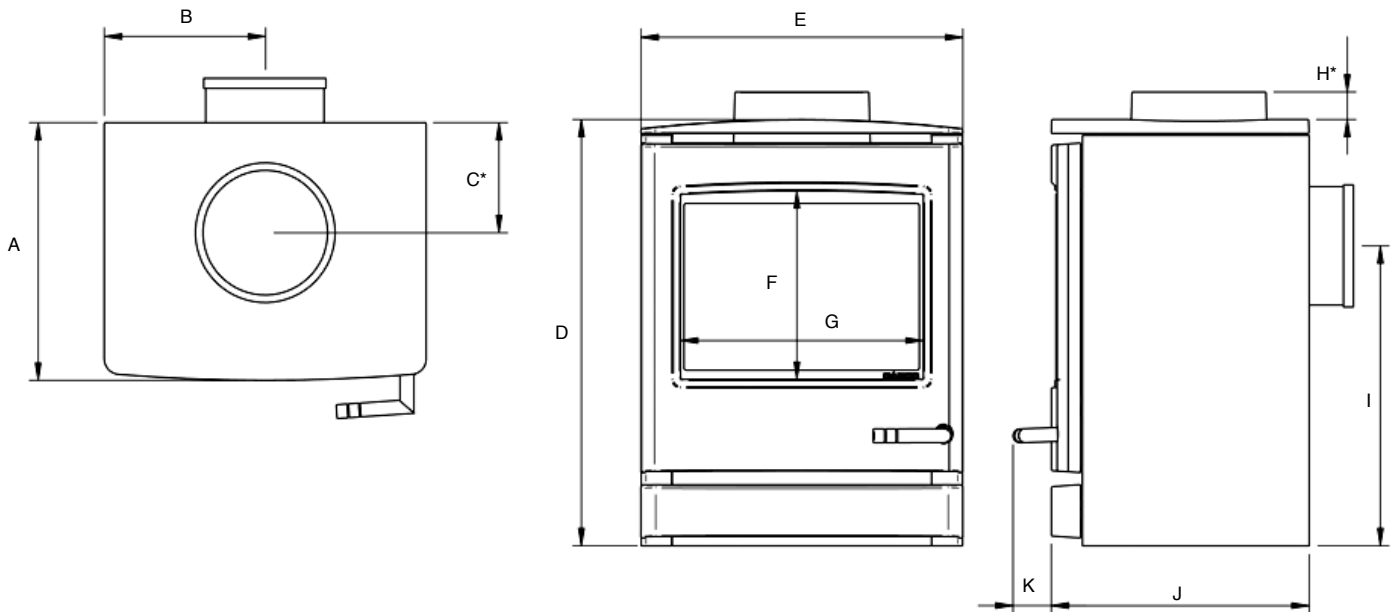
Installation Instructions

Technical Specification

This appliance has been certified for use in countries other than those stated. To install this appliance in these countries, it is essential to obtain the translated instructions and in some cases the appliance will require modification. Contact Yeoman for further information.

PACKING CHECKLIST

Qty Description	Fixing Kit containing:-
For Log Layout	1 x Instruction Manual
1 x Log Set	2 x Wood Screws
1 x Packet of Embaglow	2 x Rawl Plugs
	2 x Self Tapping Screws
	2 x Wingnuts
	1 x Fixing Plate
	2 x Washers
	1 X 40mm Ø Flue Restrictor (CL5/CL8 Vertical Flue only)
	1 x 80mm Ø Flue Restrictor (CL8 Up & Out Flue only)



* Note: CL5 & CL8 only. CL3 Rear Exit only

Model	A	B	C*	D	E	F	G	H*	I	J	K
CL3	313	186	N/A	541	371	243	252	N/A	379	313	49
CL5	333	208	142	551	416	244	314	35	388	333	49
CL8	365	277	129	604	553	274	427	52	462	364	49

Installation Instructions

Site Requirements

1. Flue and Chimney Requirements

Note: This appliance must only be installed with the flue supplied.

You must adhere to the following:

- 1.1 The flue must be sited in accordance with BS5440: Part 1 (latest edition) see Diagram 1.
- 1.2 Fit a guard to protect people from any terminal less than 2 metres above any access such as level ground, a balcony or above a flat roof.
- 1.3 All vertical and horizontal flues must be securely fixed and fire precautions followed in accordance with local and national codes of practice.
- 1.4 A restrictor may be required. Refer to Technical Specifications on page 13.

- 1.5 Two types of flue terminals are available, horizontal and vertical. To measure for a horizontal terminal:

- Decide on the terminal position.
- Measure the height from the top of the appliance to the centre of the required outlet.

For minimum and maximum flue dimensions see Diagram 3. Allow enough room either above or to the side of the appliance to assemble the flue on top.

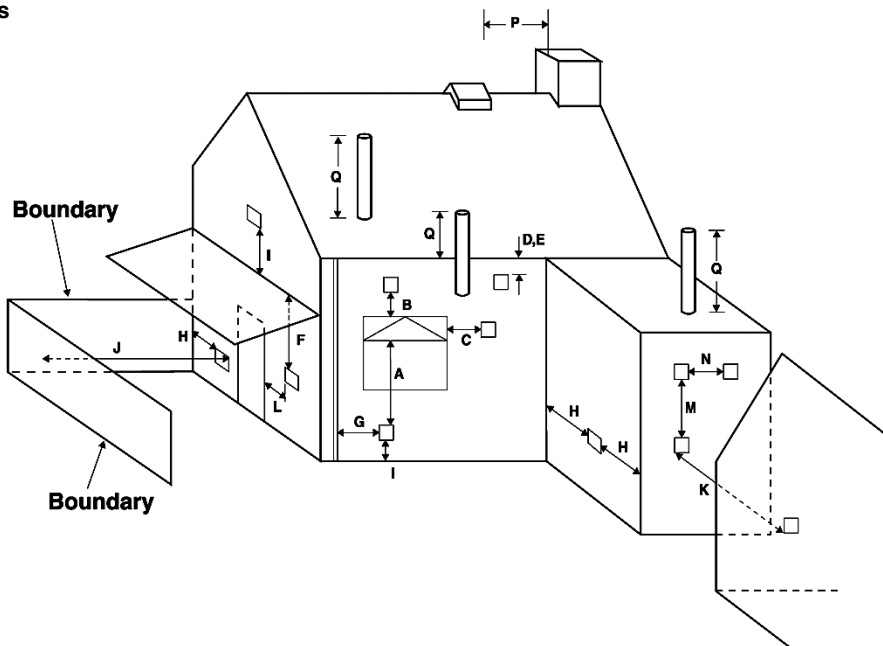
Assemble a horizontal flue in the following order:

- Vertical section
- 90° elbow
- Horizontal plus terminal

Support the opening of a masonry installation with a lintel.

- 1.6 Only the horizontal terminal section can be reduced in size.

1 UK Dimensions



Dimension	Terminal Position	Minimum Distance
A*	Directly below an opening	600mm
B*	Above an opening	300mm
C*	Horizontally next to an opening	400mm
D	Below gutters, soil pipes or drain pipe	300mm
E	Below eaves	300mm
F	Below balcony or car port roof	600mm
G	From a vertical drain pipe or soil pipe	300mm
H	From an internal or external corner or to a boundary alongside the terminal	600mm
I	Above ground, roof or balcony level	300mm

Dimension	Terminal Position	Minimum Distance
J	From a surface or boundary facing the terminal	600mm
K	From a terminal facing the terminal	600mm
L	From an opening in the car port (e.g. door, window) into the dwelling	1200mm
M	Vertically from a terminal on the same wall	1200mm
N	Horizontally from a terminal on the same wall	300mm
P	From a structure on the roof	600mm
Q	Above the highest point of intersection with the roof	300mm

* In addition, the terminal should not be nearer than 300mm to an opening in the building fabric formed for the purpose of accommodating a built-in element such as a window frame.

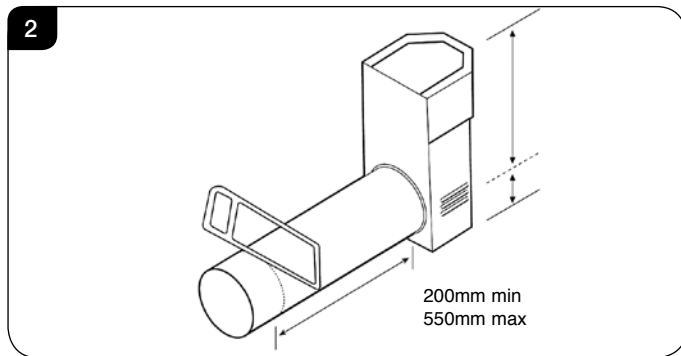
Installation Instructions

Site Requirements

2. Rear Flue

2.1 This flue extends horizontally from the back of the appliance, see Diagram 2.

ALL MODELS (8526)



Terminal dimensions:
395 x 200 x 200 mm (H x W x D)
Guard supplied
Cut to length as required on site, see Diagram 2.

3. Top Exit Flues (CL5 & CL8 only)

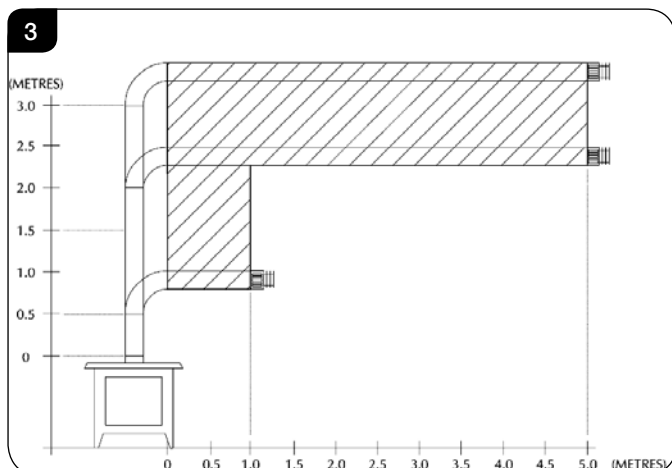
There are two types of flue terminal: horizontal (Section 3B) and vertical (Section 3D).

3a. Top Flue Up and Out Kit

3.1 This flue rises vertically from the top of the appliance, then continues horizontally outward, see Diagrams 3 & 4. The basic kit comprises:

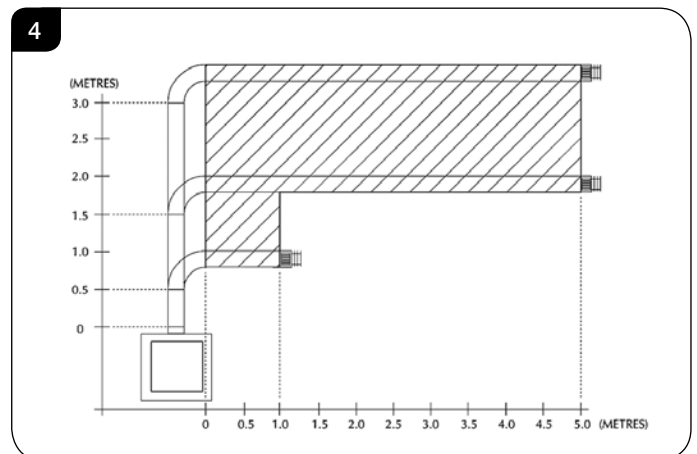
CL5 BF (8523/8523AN)

- 1 x 500mm vertical length
- 1 x 500mm terminal length
- 1 x 90 degree elbow
- 1 x wall plate
- 1 x 52mm restrictor
- 1 x 60mm restrictor
- 1 x 75mm restrictor
- 4 x fixing screw



CL8 BF (8509/ 8509AN)

- 1 x 500mm terminal length
- 1 x 200mm vertical length
- 1 x 90 degree elbow
- 1 x 500mm vertical length
- 1 x wall plate
- 1 x 60mm restrictor
- 1 x 70mm restrictor
- 1 x 75mm restrictor
- 4 x fixing screw



ALL MODELS

- 3.2 This kit provides the minimum materials. Extra lengths can be added to the vertical and horizontal sections; refer to Section 4.
- 3.3 Refer to Installation Instructions, Technical Specification on page 12 to identify when to use a restrictor.

3b. For horizontal terminal installations:

- 3.4 Decide on the terminal position.
- 3.5 Measure the height from the top of the appliance to the centre of the required hole. For minimum and maximum dimensions see Diagram 3 & 4.
- 3.6 To fit the flue you must have access to the top or the side of the appliance to connect the flue.
- 3.7 Assemble the vertical sections making sure the top plate and flue collar are fitted before the flue pipe.
- 3.8 Add the 90° elbow.
- 3.9 Add the horizontal section and terminal. **Only the horizontal part can be reduced in size.**
- 3.10 A masonry installation requires the addition of a suitable lintel to support the opening. Refer to Installation Instructions, Technical Information for details of the flue length.

Installation Instructions

Site Requirements

3c. Top Flue Up and Out with Additional Bend

3.11 An additional bend can be used on the horizontal section (45° or 90°) but the overall horizontal flue is reduced, see Diagram 5.

5

All Models	
When A = 1.0 to 1.499 metres B+C = 1.0 metre max	(No restrictor)
CL3 & CL5 only	
When A = 1.499 to 3.0 metres B+C = 4.0 metres max	(75mm diameter restrictor)
CL8 only	
When A = 1.499 to 3.0 metres B+C = 2.0 - 4.0 metres max	Nat Gas (70mm diameter restrictor) LPG (No restrictor)

3d. Top Flue Vertical Kit (999-539/999-539AN)

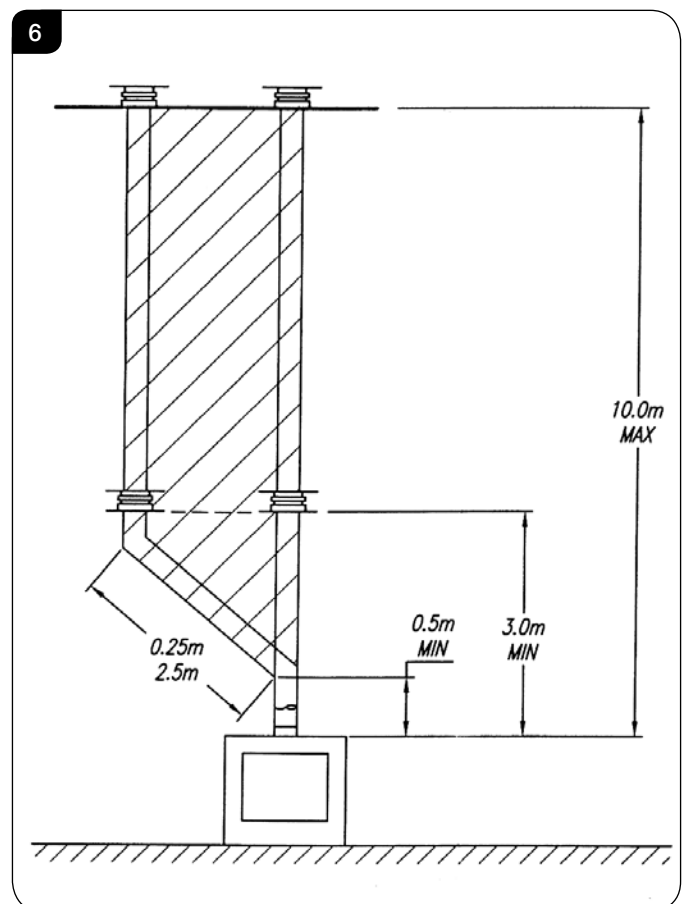
3.12 This flue is vertical from the top of the appliance, see Diagram 6. A minimum vertical rise of 3m (9'10") to a maximum of 10m (32'10").

The basic kit comprises:

- 2 x 1m lengths
- 1 x 1m terminal lengths
- 1 x 52mm restrictor (sliding plate assembly)
- 1 x 47mm restrictor (sliding plate assembly)

ALL MODELS

- 3.13 Extra lengths can be added, see Diagram 6.
- 3.14 Refer to Installation Instructions, Technical Specification to identify when to use a restrictor.



3e. Top Flue Vertical Offset Kit (8530/8530AN)

3.15 Used with kit 999-539. A minimum rise of 500mm (19½) is required to the first bend, see Diagram 6.

Installation Instructions

Site Requirements

4. Optional Extra Flue Lengths and Bends

Nominal Length	Actual Length	Stainless Finish	Anthracite Finish
200mm	140mm	8527	8527AN
500mm	440mm	8528	8528AN
1000mm	940mm	8529	8529AN
45° Bend	N/A	8507	8507AN
90° Bend	N/A	8508	8508AN
Optional Flue Collar		8548MB	

5. Gas Supply

THIS APPLIANCE IS INTENDED FOR USE ON A GAS INSTALLATION WITH A GOVERNED METER.

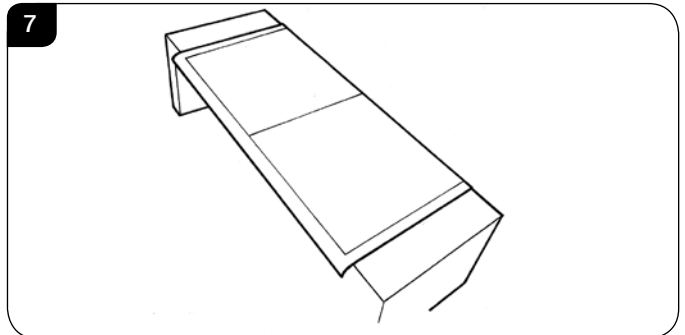
- 5.1 Before installation, ensure that the local distribution conditions (identification of the type of gas and pressure) and the adjustment of the appliance are compatible.
- 5.2 Ensure the gas supply delivers the required amount of gas and is in accordance with the rules in force.
- 5.3 You can use soft copper tubing on the installation and soft soldered joints outside the appliance and below the fire.
- 5.4 A factory fitted isolation device is part of the inlet connection; no further isolation device is required.
- 5.5 All supply gas pipes must be purged of any debris that may have entered prior to connection to the appliance.
- 5.6 The gas supply enters through the rear of the LEFT-HAND side of the outer box:
- 5.7 The gas supply must be installed in a way that does not restrict the removal of the appliance for servicing and inspection.

6. Ventilation

- 6.1 This appliance requires no additional ventilation.

7. Appliance Location

- 7.1 This appliance has been designed to stand on either a hearth or an optional bench:
 RVACLB100B - Riva Bench Low (100cm wide)
 RVACB100B - Riva Bench (100cm wide)
 RVACLB120B - Riva Bench Low (120cm wide)
 RVACB120B - Riva Bench (120cm wide)
 RVACLB140B - Riva Bench Low (140cm wide)
 RVACB140B - Riva Bench (140cm wide)
- 7.2 **To Install the Bench:**
 Follow Section 1 Installation - All Models in Installation guide PM205 supplied with the bench kit.
- 7.3 **To secure the appliance to the bench:**
 You must consider where you place the appliance on the bench before drilling the bench, see Diagram 7.



Once the position of the appliance has been decided:
 Follow the instructions for securing the appliance on Page 20.

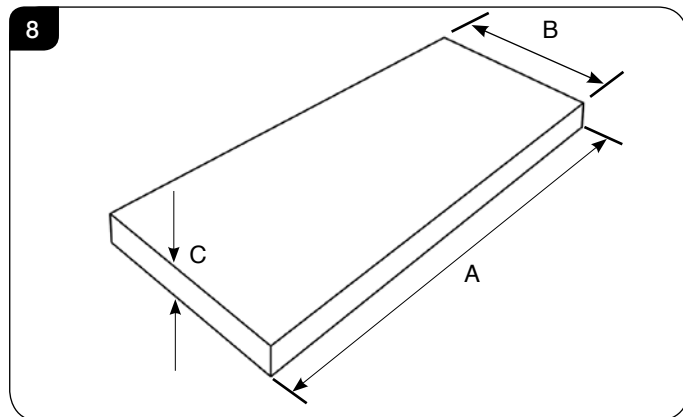
- 7.4 The non-combustible hearth must be at least 12mm thick, and project a minimum of 50mm from the base of the appliance in all directions.
- 7.5 The appliance is not suitable for installation against a combustible wall. A combustible side wall must be a minimum of 150mm from the appliance.
- 7.6 This appliance can be installed with an up and out flue (vertical wall - horizontal flue) or with a vertical flue with roof termination (see **Flue Options, Section 2 Site Requirements**).

Installation Instructions

Site Requirements

HEARTH INSTALLATION

7.7 Building Regulations state this appliance must stand on a non-combustible hearth that is at least 12mm thick and projects 50mm minimum from the base of the appliance in all directions, however Yeoman recommend the hearth extends to the following dimensions, see Diagram 8.

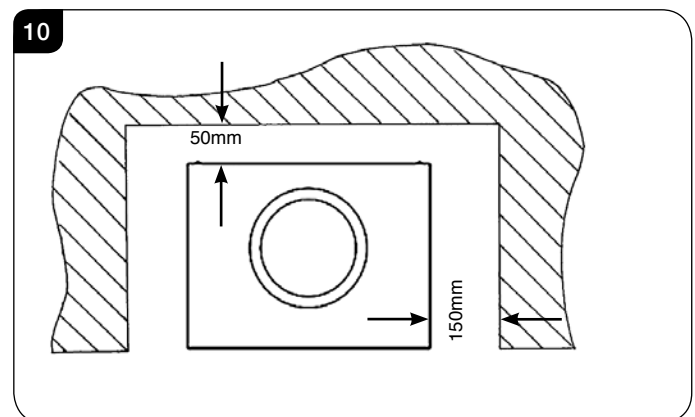
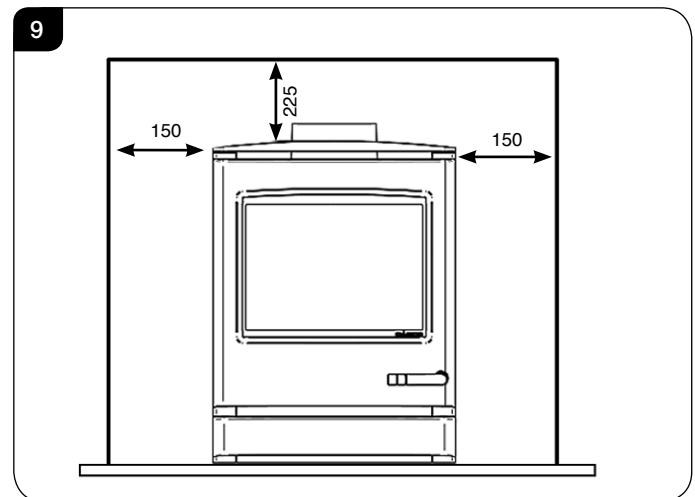


Dimensions	CL3	CL5	CL8
A	671mm	716mm	853mm
B	413mm	433mm	464mm
C	12mm	12mm	12mm

MINIMUM CLEARANCE

- 7.8 The appliance is not suitable for installation against a combustible wall.
- 7.9 **Ensure that all minimum clearances to combustible materials are complied with, see Diagrams 9 & 10.**

The specified clearances provide the minimum distance to combustible materials. If the appliance is intended to be installed into a non-combustible opening the clearance to the **sides and above** the appliance can be reduced. However, it is recommended that the specified clearances are maintained irrespective of the materials used in the construction of the opening to allow adequate air flow and access to controls. **The clearance at the rear of the appliance must always be a minimum of 50mm.**



Installation Instructions

1. Safety Precautions

- 1.1 For your own and other's safety, you must install this appliance according to local and national codes of practice. Failure to install the appliance correctly could lead to prosecution. **Read these instructions before installing and using this appliance.**
- 1.2 These instructions must be left intact with the user.
- 1.3 Do not attempt to burn rubbish on this appliance.
- 1.4 Keep all plastic bags away from young children.
- 1.5 Do not place any object on or near to the appliance and allow adequate clearance above the appliance.

IF THE APPLIANCE IS EXTINGUISHED OR GOES OUT IN USE, WAIT 3 MINUTES BEFORE ATTEMPTING TO RELIGHT THE APPLIANCE.



IMPORTANT: REFER TO DATA BADGE AND TECHNICAL SPECIFICATION AT THE FRONT OF THE MANUAL TO ENSURE THE APPLIANCE IS CORRECTLY ADJUSTED FOR THE GAS TYPE AND CATEGORY APPLICABLE IN THE COUNTRY OF USE.

FOR DETAILS OF CHANGING BETWEEN GAS TYPES REFER TO SERVICING, SECTION 13, REPLACING PARTS.

Unpacking

- 1.6 Remove the appliance from its packaging, and check that it is complete and undamaged.
 - 1.7 The cast plate is stored on top of the appliance. Remove and store in a safe place.
- Put the loose ceramic parts to one side so that they are not damaged during installation.

2. Upgrading the Appliance

- 2.1 The appliance is fitted with a control valve that can easily be upgraded to battery powered remote control. There are two versions of this control which can be obtained through your local Yeoman stockist. There is no requirement for this upgrade to be carried out by an approved Gas engineer. However Yeoman recommend that this task is undertaken by a suitably competent person.
- 2.2 This upgrade can be fitted before or after installation but if side clearances are limited then it will be easier to upgrade the appliance before installation. Full instructions are included with the kit.



If the appliance is left unattended for long periods of time (e.g. vacation), it is recommended to place the control valve in the Off or Pilot position.

Take care when leaving the appliance unattended, in exceptional circumstances sound waves from sources other than the transmitter can cause changes in the flame height adjustment.

DO NOT install two or more appliances using upgradeable controls in the same room, interference between the remote control frequencies can occur.

Standard Remote Control (PART NUMBER 8455)

- 2.3 This remote control can control the gas appliance after the pilot has been lit. It can turn the main burner on and regulate it from low through to high and back again. It can turn the main burner off leaving the pilot burning.

Thermostatic and Timer Remote Control (PART NUMBER 8456)

- 2.4 This remote control can control the gas appliance after the pilot has been lit.

MANUAL MODE

Can be used to turn the main burner on and manually regulate it from low through to high and back again. It can also be used to turn the main burner off leaving the pilot burning.

AUTO MODE

Will automatically regulate the room to a pre-set temperature.

TIMER MODE

Will turn the appliance on and off according to a pre-set programme and automatically regulate the room temperature during the two on periods.

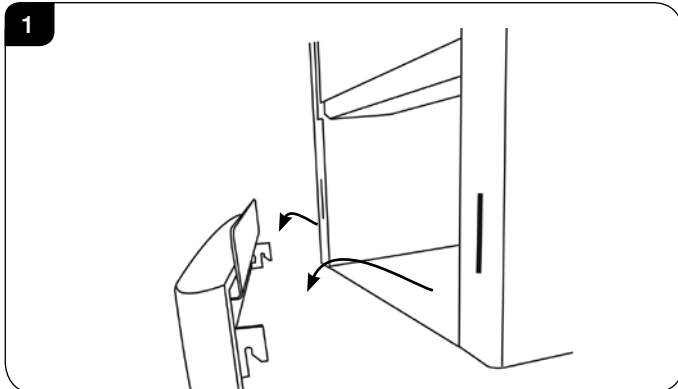
Installation Instructions

3. Installation of the Appliance

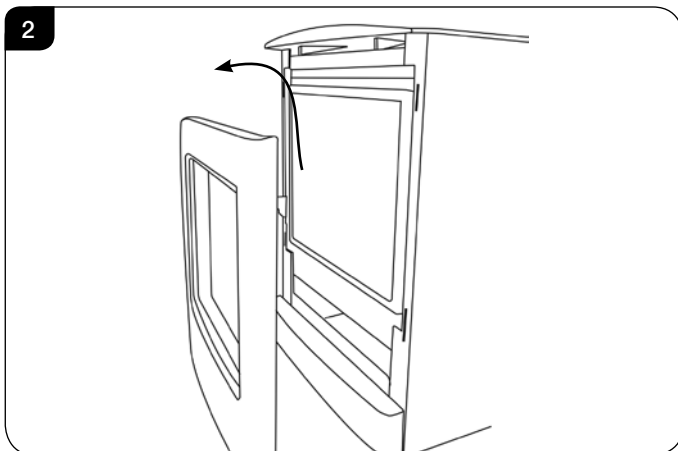


IMPORTANT: THE OUTER PANNELLING OF THE YEOMAN CL IS MADE FROM CAST IRON. USE CAUTION WHEN INSTALLING, REMOVING AND STORING AS THE COMPONENTS ARE HEAVY AND SHOULD BE HANDLED CAREFULLY.

- 3.1 Remove the plinth to access the controls by lifting the hooks clear of the slots on the front of the appliance, see Diagram 1.



- 3.2 Remove the frame to gain complete access to the control valve and the viewing aperture by lifting the hooks clear of the slots on the front of the appliance, see Diagram 2.

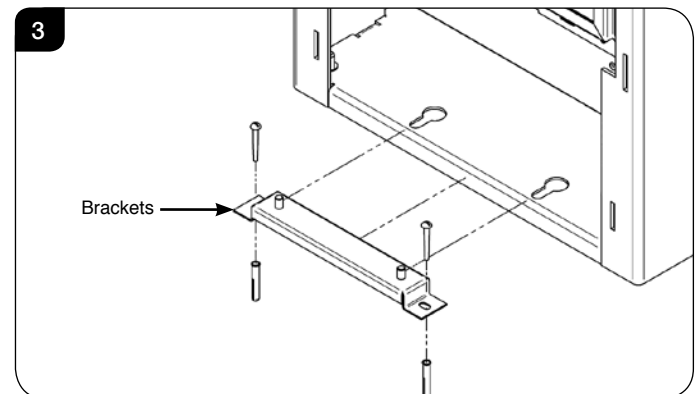


CL3 & CL5 only

SECURING THE APPLIANCE

The appliance sits on a mounting bracket to secure it in place to either the hearth or bench.

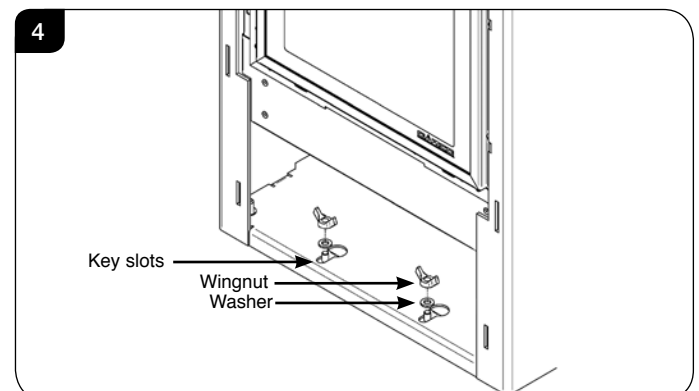
- 3.3 Position the appliance: Loosely attach the bracket to the appliance and place centrally on the hearth OR in the desired position on the bench. Remove the appliance leaving the bracket in the correct position and mark the holes to drill the bracket screws, see Diagram 3.



- 3.4 Remove the bracket and drill the guide holes.
3.5 Fix the bracket either to the hearth or the bench, see Diagram 3.

NOTE: Use the wood screws and rawl plugs in the fixing kit supplied for hearth mounting installations and the self tapping screws for installation onto a bench.

- 3.6 Lift the appliance so as to locate the key slots in the carcass onto the fixing screws. There are two large holes the lower flanges on the front edges of the base, see Diagram 4.



- 3.7 Place the two large washers over the studs and fix with two wingnuts, see Diagram 4.

Installation Instructions

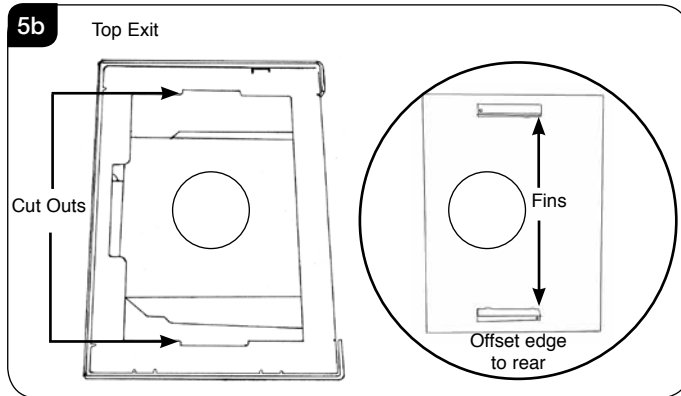
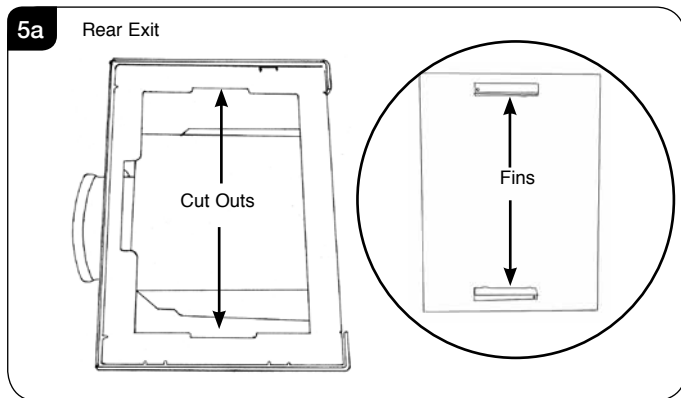
4. Fitting the Top Plate

- 4.1 The Yeoman CL has a decorative plate that sits on top of the outer box. Depending on the choice of flue exit this top will have a hole for the flue pipe to pass through or be completely smooth.

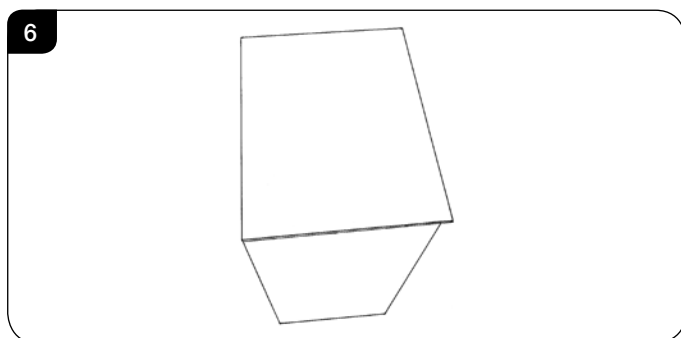
The hole will be situated in an off set position to the rear edge of the cast top.
When installing the spigot must be put in place before the cast top is located. Then the connection to the flue can be made.

NOTE: For Top Exit appliances the flue collar must be placed on the flue exit before the top is fitted.

- 4.2 To fit the top line up the raised fins on the underside of the cast top plate with the cut outs in the top of the box, see Diagram 5a & 5b.



- 4.3 When properly fitted the rear of the cast top plate should sit flush with the rear of the appliance, see Diagram 6.



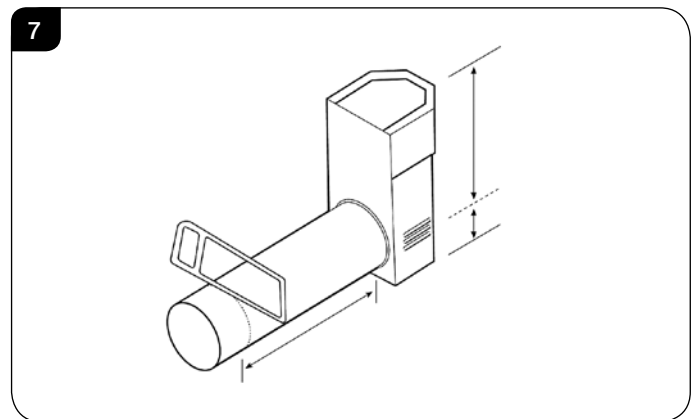
5. Flue Assembly

- 5.1 Refer to **Site Requirements** page 15 onward.

5a. Rear EXIT - Horizontal flue

Flue Length

- 5.2 Measure the total wall thickness and add 65mm.
5.3 The total flue length gives a minimum clearance of 50mm between the rear of the appliance and the wall.
5.4 Insert the square cardboard sleeve into the flue to support the inner tube.
5.5 Cut through the flue and sleeve, see Diagram 7.



- 5.6 **REMOVE THE CARDBOARD REMNANTS FROM THE FLUE.**

- 5.7 File the cut edges smooth.

Terminal

On the outside wall:

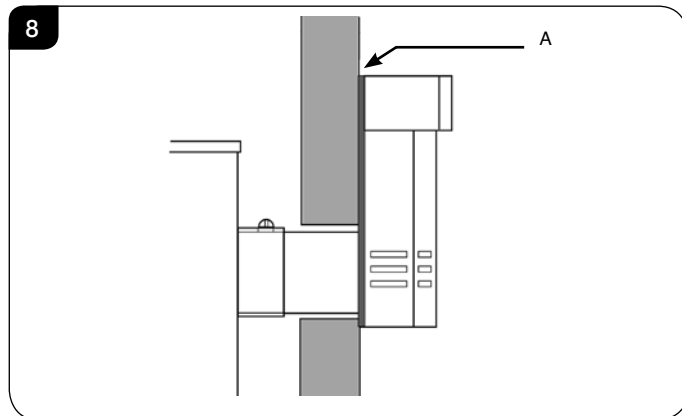
- 5.8 Position the flue assembly into the hole. The terminal should be flat against the wall.
5.9 Make sure the terminal is vertical, see Diagram 7.
5.10 Mark the four fixing holes.
5.11 Remove the terminal to drill the holes.
5.12 Insert wall plugs supplied.

DO NOT FIX THE FLUE AT THIS STAGE.

Installation Instructions

Flue and Appliance Fixings

- 5.13 Position the appliance observing appropriate clearances.
- 5.14 Apply a bead of suitable weatherproof sealant (silicone or similar) to perimeter of back face of terminal, see Diagram 8.



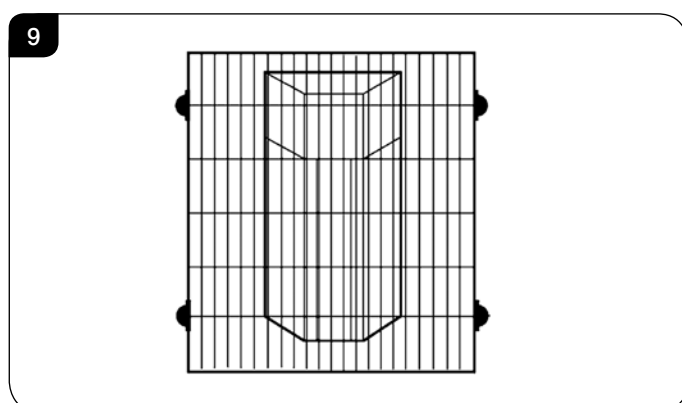
- 5.15 Feed the flue through the wall, making sure it runs smoothly.

On the inside wall:

- 5.16 Engage the flue in the inner and outer spigots.
- 5.17 Make sure rubber seals on the spigots are not damaged.

From outside:

- 5.18 Insert four screws in the flanges of the flue terminal.
- 5.19 Check sealant has formed a water-tight joint to the wall.
- 5.20 Any terminal less than 2m above any access (level ground, balcony or flat roof with access) must be fitted with the guard supplied, see Diagram 9.



5b. Top Exit - Up & Out (CL5 & CL8 only)

ENSURE THE BLACK DECORATIVE TOP AND COLLAR ARE FITTED TO THE TOP OF THE APPLIANCE PRIOR TO INSTALLATION OF A TOP FLUE EXIT. THIS MUST BE POSITIONED BEFORE INSTALLING THE FLUE.

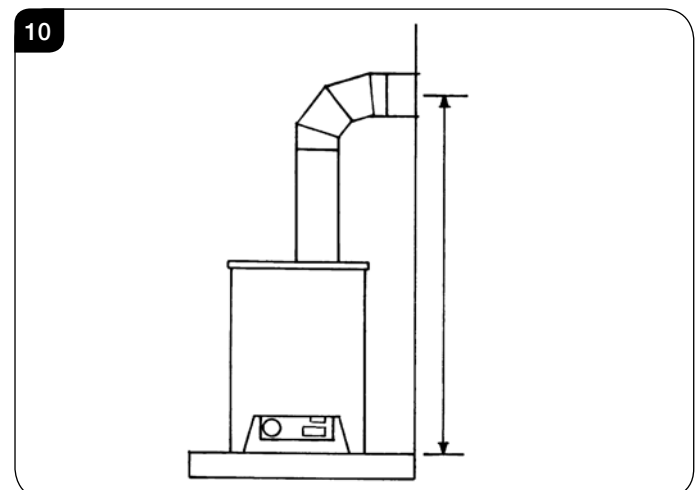
A restrictor may be required with top exit flues. See Technical Specification on page 12 for restrictor sizes.

Wall Plate

- 5.21 A wall plate is supplied to secure the flue to the inside wall. Bend the securing tab to 90° and slot the plate over the flue before bringing the flue through the wall.
- 5.22 Mark the fixing holes using the wall plate as a template. The tab can be above or beneath the flue, see Diagram 10.

Flue Aperture

- 5.23 Mark the height from the top of the hearth to the centre of the horizontal section, see Diagram 10.



- 5.24 **TAKE CARE TO MARK OUT THE FLUE CORRECTLY. IT IS DIFFICULT TO MOVE AFTER INSTALLATION.**
- 5.25 Create a 152mm (6") diameter hole for the flue using either:
 - a) a core drill, or
 - b) a hammer and chisel
- 5.26 Make good at both ends of the hole.

Flue Length

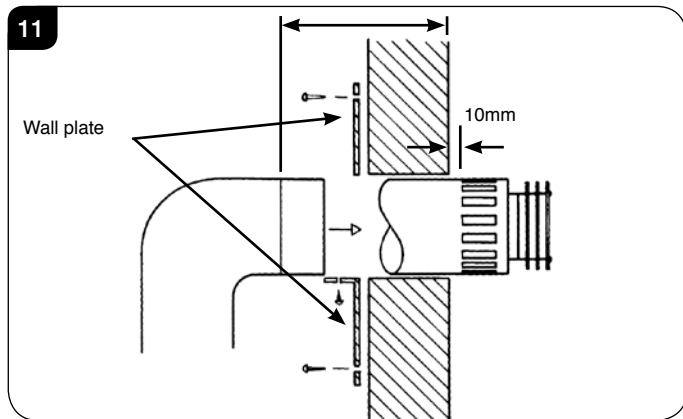
- 5.27 The final length of the flue pipe includes the terminal. The terminal is the only section that can be shortened.

DO NOT SHORTEN ANY OTHER SECTION OF FLUE PIPE.

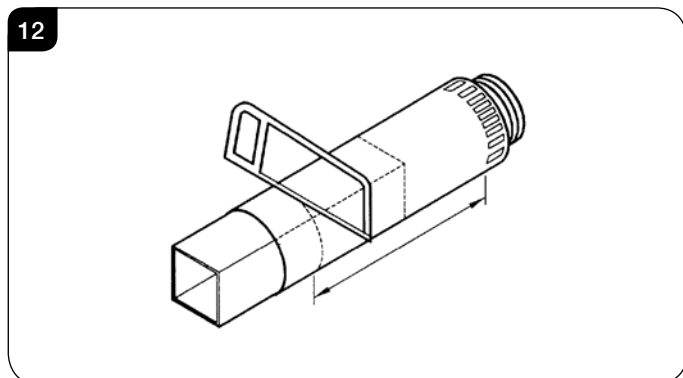
- 5.28 Measure from the outside of the wall to the stop on the 90° elbow.

Installation Instructions

- 5.29 Fit horizontal flue section between the elbow and the terminal at this stage, if required, see Diagram 11.



- 5.30 Mark the correct length all the way around the flue terminal section, see Diagram 11.
- 5.31 Insert the square cardboard sleeve into the flue to support the inner tube.
- 5.32 Cut through the flue and sleeve, see Diagram 12.



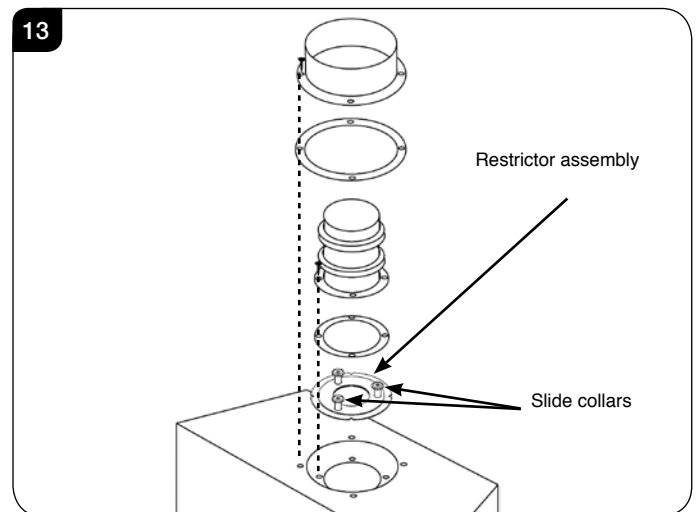
- 5.33 **REMOVE THE CARDBOARD REMNANTS FROM THE FLUE.**
- 5.34 File the cut edge smooth.

Flue and Appliance Fixings

- 5.35 Pull appliance and flue assembly away from the hearth.
- 5.36 Drill four fixing holes for the wall plate and insert wall plugs supplied.
- 5.37 Put the horizontal flue onto the elbow and reposition the appliance.
- 5.38 Check the flue runs smoothly through the wall.
- 5.39 Fix the wall plate to the wall using the four black screws provided.
- 5.40 Drill through the fixing tab of the wall plate using a 3.5mm drill.
- 5.41 Secure with the screw provided.
- 5.42 Make good and weatherproof around the outside of the flue.

5c. Top Exit – Vertical Flue (CL5 & CL8 only)

- 5.43 Where a vertical only flue system has been purchased, refer to Installation & Instructions, Site Requirements, Section 3D.
- 5.44 Pay careful attention to the following:
- Terminal positions
 - Flue supports
 - Weatherproofing
 - Fire precautions
- 5.45 Local and national codes of practice must be followed for all the above.
- 5.46 **A restrictor must be fitted with vertical flues. See Technical Specification on page 12 for restrictor sizes.**
- PLEASE NOTE: When installing the appliance in conjunction with a vertical termination kit, there is a unique kit for use with this appliance (Yeoman Part No. 999-539). This kit differs in that it has restrictors with sliding plates. Please ensure you have the correct kit before proceeding with the installation.**
- 5.47 It is important that the sliding restrictor assembly is used. The restrictor assembly must be fitted with the slide collars uppermost and the top restrictor plate must be checked to ensure it moves freely before the flue is fitted.

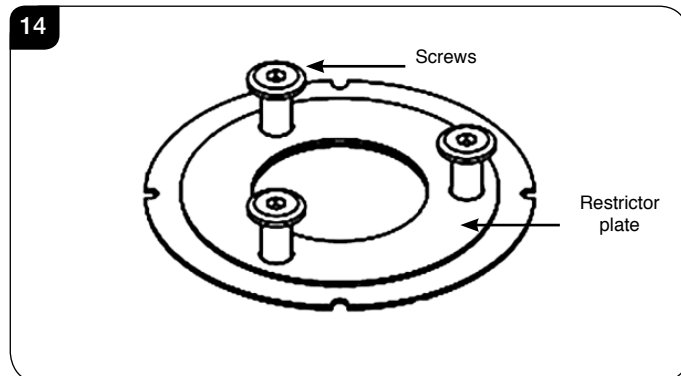


Installation Instructions

5.48 Flue Lengths over 5m (CL5 Top Exit) and Flue Lengths over 6m (CL8 NG)

In the instance where the flue pipe meets the above criteria a 40mm Ø restrictor must be fitted. This restrictor can be found in the appliance packing kit supplied.

5.49 To fit the restrictor undo the bolts on the slide collars on the restrictor assembly, see Diagram 14.



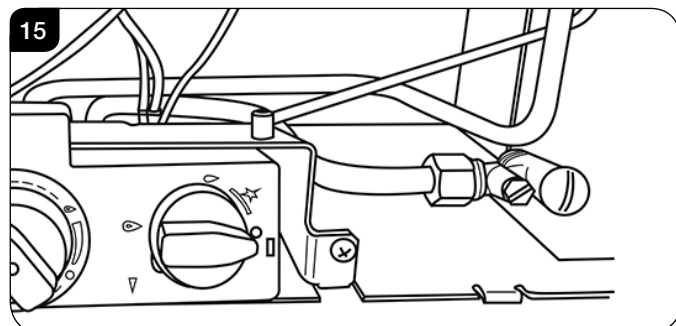
5.50 Remove the restrictor plate that is current in place and fit the 40mm Ø one from the kit. Secure with the screws and ensure that the plate moves freely up and down on the slide collars.

5.51 Fit the restrictor assembly as previously described.

6. Gas Soundness Pressure Check

This is essential to expel any debris that may block the gas controls.

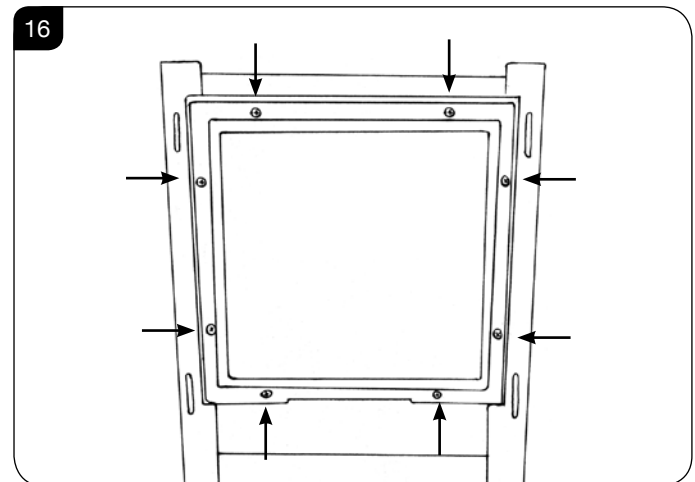
6.1 Connect the gas to the 8mm elbow on the rear of the appliance, see Diagram 15.



6.2 Connect a suitable pressure gauge to the test point located on the inlet fitting and turn the gas supply on. Light the appliance and check all gas joints for possible leaks. Turn the appliance to maximum and check that the supply pressure is as stated on the databadge. Turn the gas off and replace the test point screw, turn the gas on and check the test point for leaks.

7. Removing the Glass

7.1 Using screwdriver remove the eight screws securing the window panel to the appliance, see Diagram 16. Take care to support the glass when removing the screws.



8. Arrangement of the Fuel Bed

Advice on handling and disposal of fire ceramics



The fuel effect of the log version of this appliance is made from Refractory Ceramic Fibre (RCF), a material which is commonly used for this application.

Protective clothing is not required when handling these articles, but we recommend you follow normal hygiene rules of not smoking, eating or drinking in the work area and always wash your hands before eating or drinking.

To ensure that the release of RCF fibres are kept to a minimum, during installation and servicing a HEPA filtered vacuum is recommended to remove any dust accumulated in and around the appliance before and after working on it. When servicing the appliance it is recommended that the replaced items are not broken up, but are sealed within heavy duty polythene bags and labelled as RCF waste.

RCF waste is classed as stable, non-reactive hazardous waste and may be disposed of at a licensed landfill site.

Excessive exposure to these materials may cause temporary irritation to eyes, skin and respiratory tract; wash hands thoroughly after handling the material.

Installation Instructions

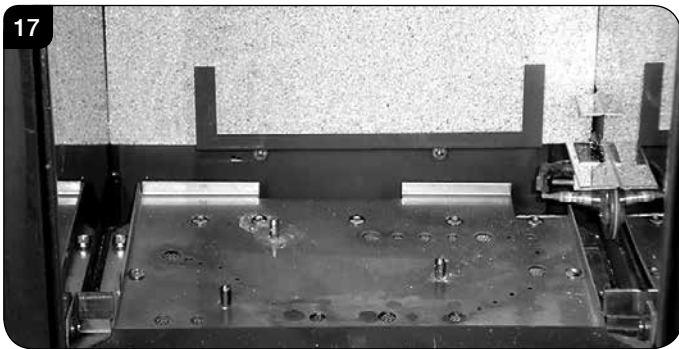
9. Log Layout

LOGS MUST BE POSITIONED ACCORDING TO THE FOLLOWING INSTRUCTIONS TO GIVE THE CORRECT FLAME EFFECT.

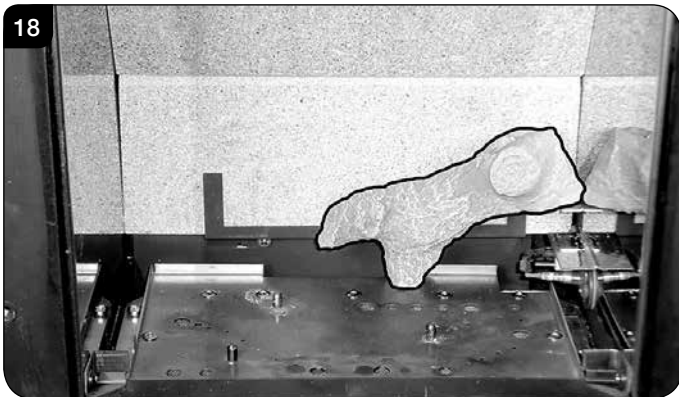
CL3 Layout

All logs can be identified by a letter (A - E) on their underside. Logs B and E also have holes to locate each onto a burner stud.

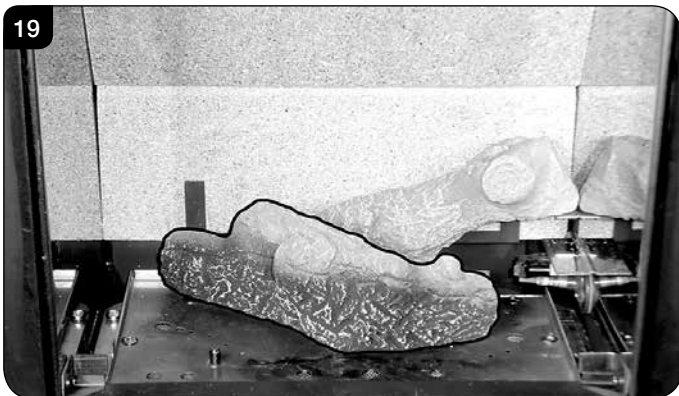
- 9.1 Ensure the burner tray is clean and free from any debris, see Diagram 17.



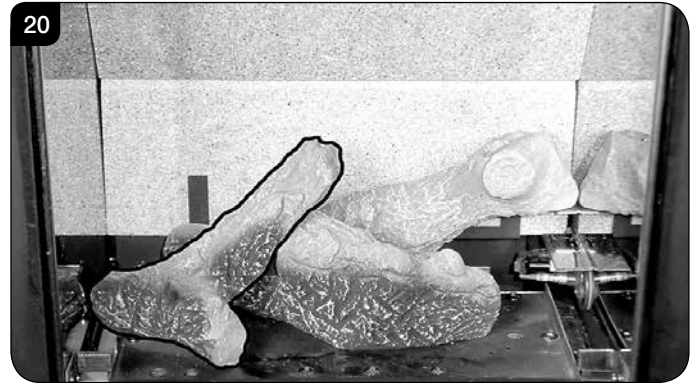
- 9.2 Place Log A on the higher rear bracket and push up against the back panel, see Diagram 18.



- 9.3 Place Log B over the two middle studs on the burner tray, see Diagram 19.

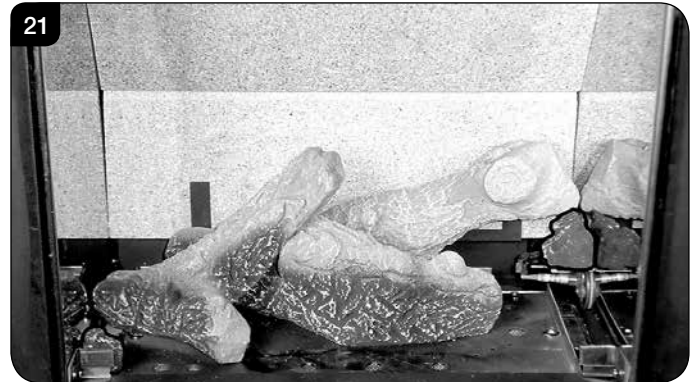


- 9.4 Place Log E onto the stud and behind the tag on the left hand side of the burner tray. Rest against Log B, see Diagram 20 .



- 9.5 Place the small Ember at the front left of the firebox, against the rear of the log support bracket to obscure the reflection of the burner screw.

Place the larger Ember on the lower bracket above the pilot on the right hand side with the thicker edge facing the front and flat edges to the base and side, see Diagram 21.



- 9.6 Log C rests on the cutout on Log E and is pushed up to the side and rear of the firebox, see Diagram 22.



Installation Instructions

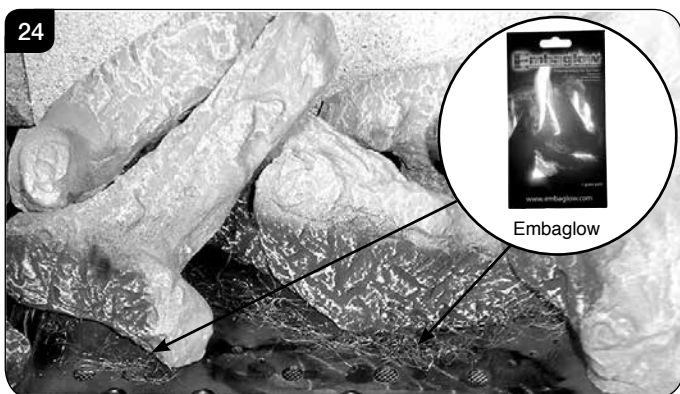
- 9.7 Place the pointed bottom of log D into the corner of the burner tray and rest on the location stud on log B, see Diagram 23.



- 9.8 Sparingly spread an amount of the Embaglow fibres provided, covering the ports in the burner tray. Use a small piece in front of the log on the left hand side and a long strip in front of log B, see Diagram 24.

Take care not to use more than half a packet per application.

WARNING - DO NOT PLACE NEAR THE PILOT AREA.

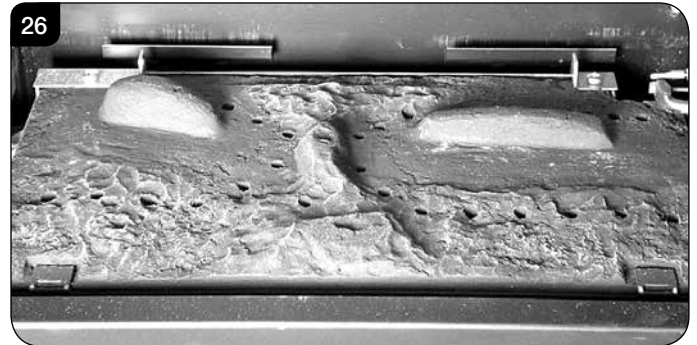


- 9.9 Lower log guard into position, see Diagram 25.



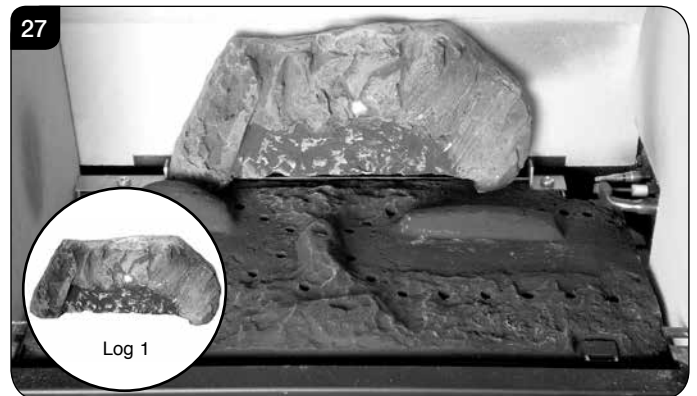
CL5 Layout

- 9.10 Ensure the burner tray is clean and free from any debris, see Diagram 26.

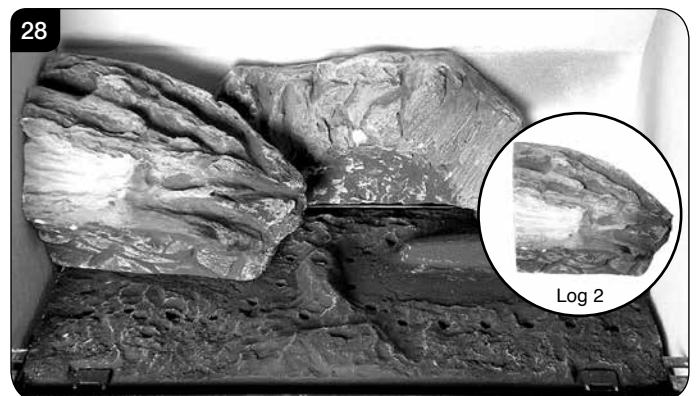


The three logs that make up the fuel bed are visually distinct and fit into specific parts on the burner tray.

- 9.11 Place the rear log into position between the rear brackets and pushed up against the back panel, see Diagram 27.

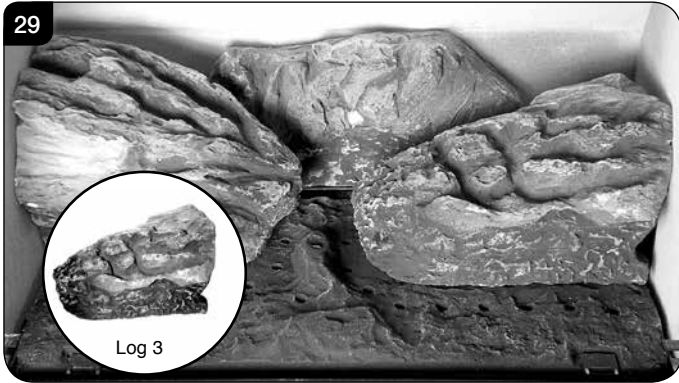


- 9.12 Place the second log into the left hand groove on the burner tray, see Diagram 28. The log should butt up against the raised molding and the left hand side liner.

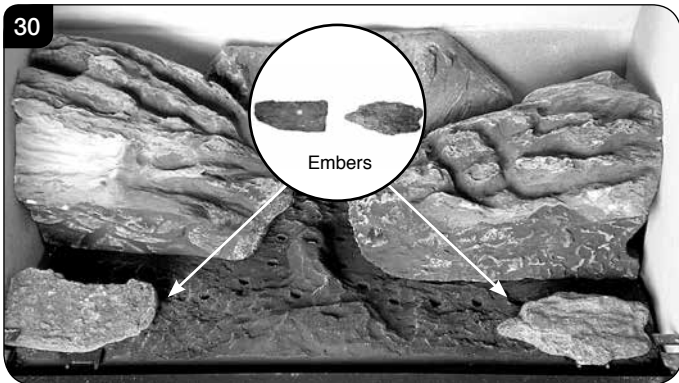


Installation Instructions

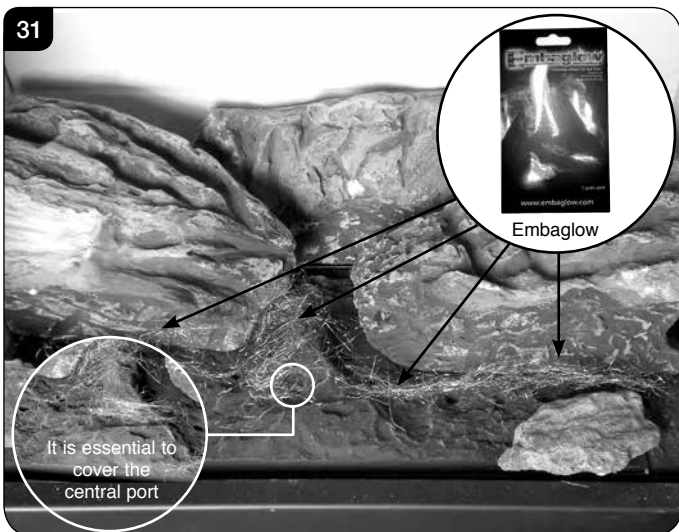
- 9.13 Place the third log into the groove on the right hand side, see Diagram 29. The log should butt up against the raised molding and the right hand side liner.



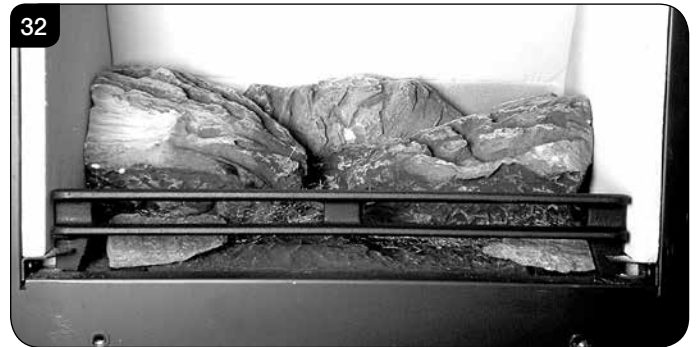
- 9.14 Once the logs are in there are two embers which can be loosely placed at the front of the fuel bed and cover the tabs securing the burner tray, see Diagram 30.



- 9.15 Sparingly spread an amount of the Embaglow fibres provided, covering the ports in the burner tray, see Diagram 31. **It is essential to cover the port in the middle of the burner tray in order to get the most visually appealing flame picture.** Take care not to use more than half a packet per application. **WARNING - DO NOT PLACE NEAR THE PILOT AREA.**



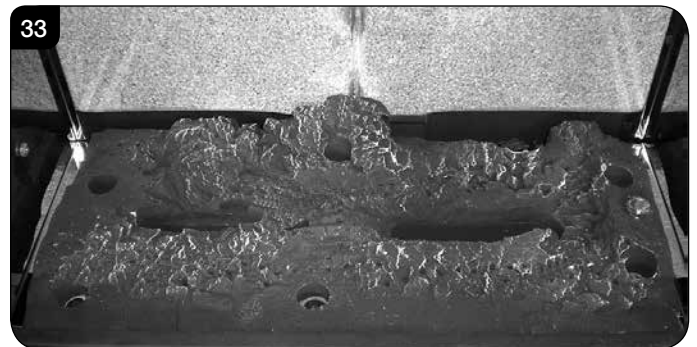
- 9.16 Fix log guard into position, see Diagram 32.



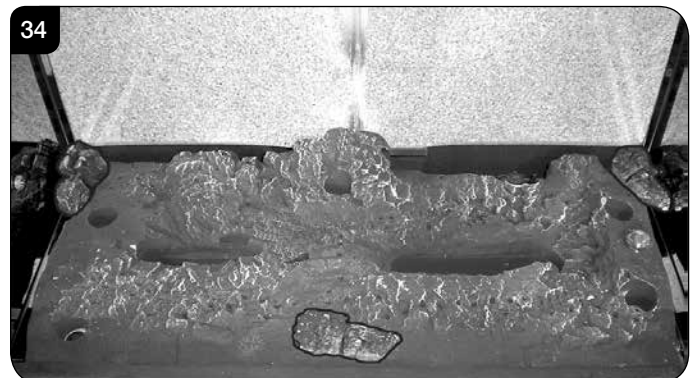
CL8 Layout

The logs for the fuel bed are clearly individually labelled, A to D.

- 9.17 Ensure the burner tray is clean and free from any debris, see Diagram 33.

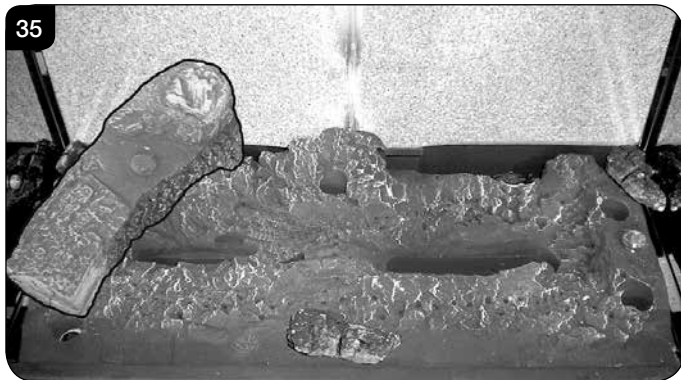


- 9.18 There are 3 embers. Place 2 embers in the back corners of the burner, resting in the cut outs, see Diagram 34. Place the last ember loosely at the front of the fuel bed to cover the hole in the centre.

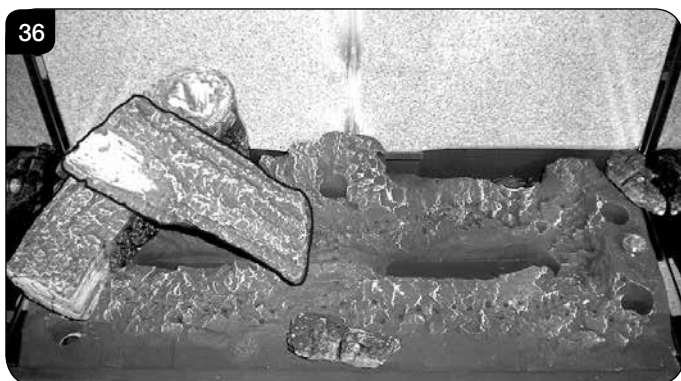


Installation Instructions

- 9.19 Place Log D on the left hand side of the burner. There is a hole on the underside of Log D which fits over the raised stud on the left of the burner. The back of the log should rest flat against the back panel, see Diagram 35.



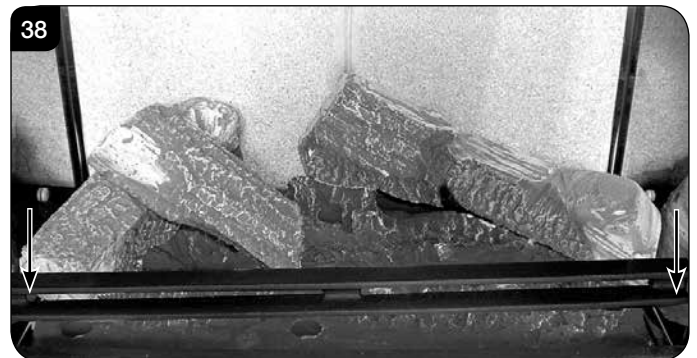
- 9.20 Place Log B on top of Log D. There is a hole on the underside of Log B which fits over the raised stud on Log D to secure in place. The right hand side of the log rests in the groove in the burner, see Diagram 36.



- 9.21 Place Log C on the right hand side of the burner. There is a hole on the underside of Log C which fits over the raised stud on the right of the burner. The back of the log should rest flush against the back panel, see Diagram 37.



- 9.22 Place the log guard into position on the grooves on the sides of the firebox, see Diagram 38.



- 9.23 Place Log A across Log C. There is a hole on the underside of Log A which fits over the raised stud on Log C to secure in place. The small cut out on the left side of the log rests onto the log guard, see Diagram 39.



- 9.24 Once the logs are in place use some of the Embaglow wire wool provided and sparingly cover the ports in the burner tray in the highlighted areas shown in Diagram 40.

Take care not to use more than half a packet per application.

WARNING - DO NOT PLACE NEAR THE PILOT AREA.

IT IS ESSENTIAL TO KEEP THE REAR PORT FREE FROM OBSTRUCTION.

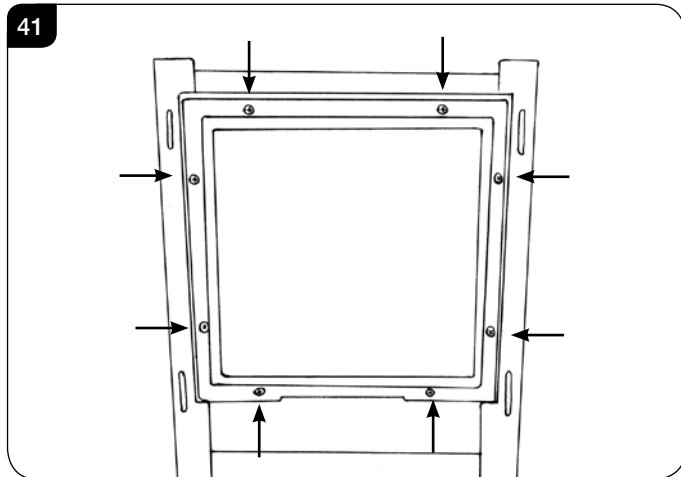


Installation Instructions

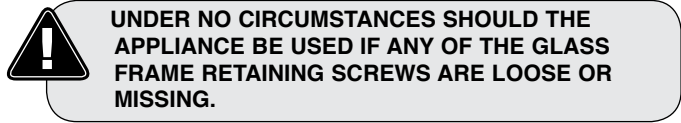
10. Completion of Assembly

10.1 To fit the glass frame:

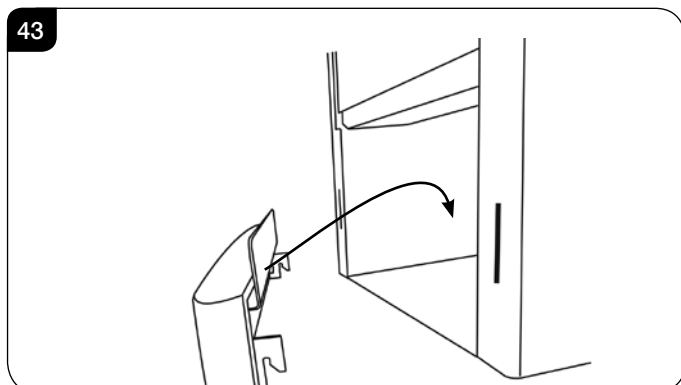
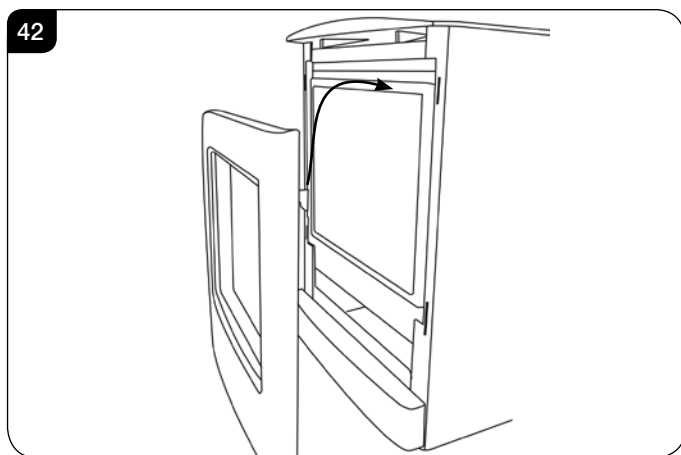
Offer the frame to the foot of the opening and secure using 8 screws as shown, see Diagram 41.



10.2 Replace ALL of the glass frame securing screws ensuring that a screw is present in all fixing slots.



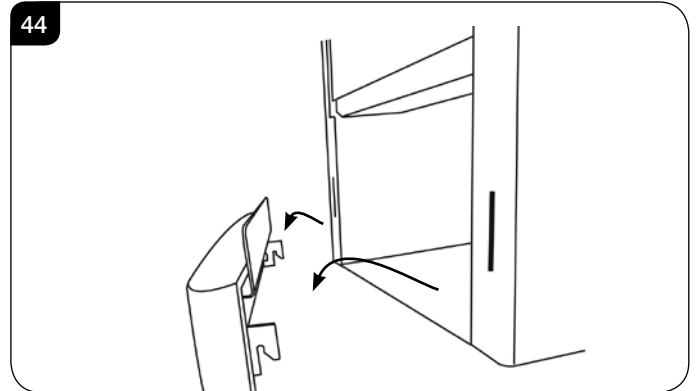
10.3 Fit the front and the plinth by inserting the hooks on the back of the frame into the slots on the front of the appliance, see Diagram 42 & 43.



11. Operating the Appliance

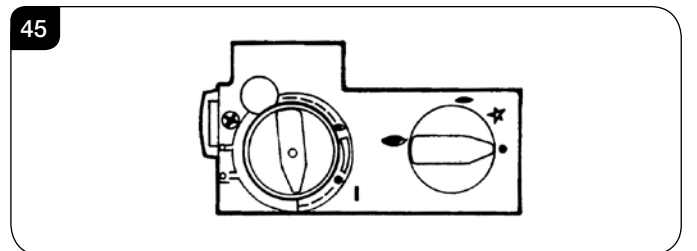
The control valve is located behind the plinth.

11.1 Remove the plinth to access the controls by lifting the hooks clear of the slots on the front of the appliance, see Diagram 44.



The valve has two controls, see Diagram 45.

1. The right-hand knob controls the pilot ignition.
2. The left-hand knob controls the main burner.



11.2 Refer to separate instructions if your appliance is upgraded to include battery remote control. The instructions below apply whether or not you have the remote upgrade.

Lighting the Pilot

- 11.3 To start the left-hand and right-hand control knobs must both point to off (●):
- 11.4 Press in the right-hand control knob and rotate anti-clockwise until a click is heard. Continue to press in. The knob points to the pilot (←).

The pilot is lit.

- 11.5 Keep the knob depressed for 10 seconds before releasing. The pilot remains lit.

Repeat the above steps if the pilot does not stay lit.

NOTE: If the pilot goes out, the Interlock system prevents you lighting again for a short period.

- 11.6 If, after repeating the above steps the pilot does not light, contact your Retailer or Installer.
- 11.7 Turn the right-hand knob to the left to main burner setting (↶).

Installation Instructions

Adjusting the Flame height

- 11.8 You can now adjust the flame height and temperature using the left-hand control knob.
- 11.9 Turn the left-hand knob anti-clockwise to increase the flame height.
- 11.10 Turn clockwise to decrease the height.



IMPORTANT: YELLOW FLAMES TYPICALLY APPEAR WHEN THE APPLIANCE HAS REACHED NORMAL OPERATING TEMPERATURE. THIS CAN TAKE UP TO 30 MINUTES.



WARNING: IF THE APPLIANCE FAILS TO LIGHT OR BECOMES EXTINGUISHED IN USE, WAIT 3 MINUTES BEFORE ATTEMPTING TO RELIGHT.

Commissioning

1. Commissioning

- 1.1 Complete the Commissioning Checklist at the front of this manual covering:
 - Thermocouple soundness checks.
This is to include ensuring the thermocouple is secure on the pilot bracket assembly, lead connection and integrity.
 - Flue checks
 - Gas checks
 - Log/fuel effect layout - flame picture
- 1.2 Ensure all safety checks listed in the Commissioning Section are completed, paying particular attention to the glass panel checks and securing of the glass frame.
- 1.3 Upon completion of the commissioning and testing of the installation and correct operation of the appliance, the installer must instruct the user how to operate the appliance.
- 1.4 Guide the user through the User Instructions paying particular attention to:
 - a) Regular servicing (Section 10 of the User Instructions).
 - b) Ventilation (Section 11 of the User Instructions) - point out the ventilation positions where applicable.
 - c) Hot surfaces (Section 13 of the User Instructions).

Servicing/Fault Finding Charts

1. Servicing Requirements

IMPORTANT – The glass panel on this appliance should be checked for any signs of damage on the front face of the glass panel (scratches, scores, cracks or other surface defects). If damage is observed, the glass panel must be replaced and the appliance must not be used until a replacement is installed. Under no circumstances should the appliance be used if any damage is observed. Please isolate the appliance until a replacement glass panel has been obtained and installed. Replacement glass panels can be purchased from Yeoman via the retailer from which the appliance was purchased or any other Yeoman distributor.

This appliance must be serviced at least once a year by a competent person.

All tests must be carried out in accordance with the current GasSafe recommendations.

1.1 Before Testing:

- Conduct a gas soundness test for the property ensuring there are no leaks before servicing.
- Check the operation of the appliance before testing.

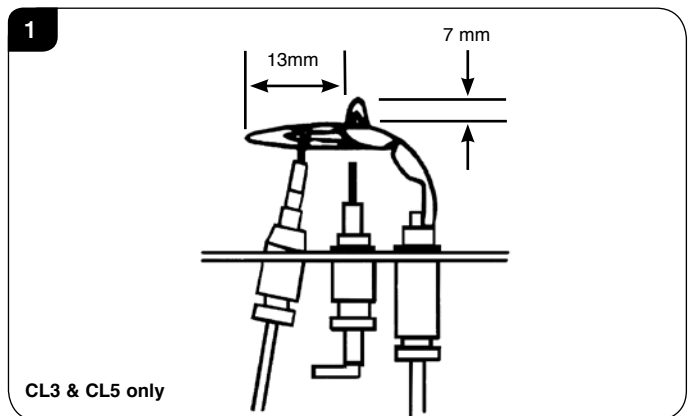
1.2 Special checks:

- Clean the burner using a vacuum cleaner with a soft brush attachment. Ensure all debris is removed from the burner ports.
- Clean away lint or fluff from the pilot.
- Clean away lint or fluff from under the burner.
- Check the spark gap on the pilot is correct.
- Ensure that the glass frame is secured correctly and that all retaining screws are in place.

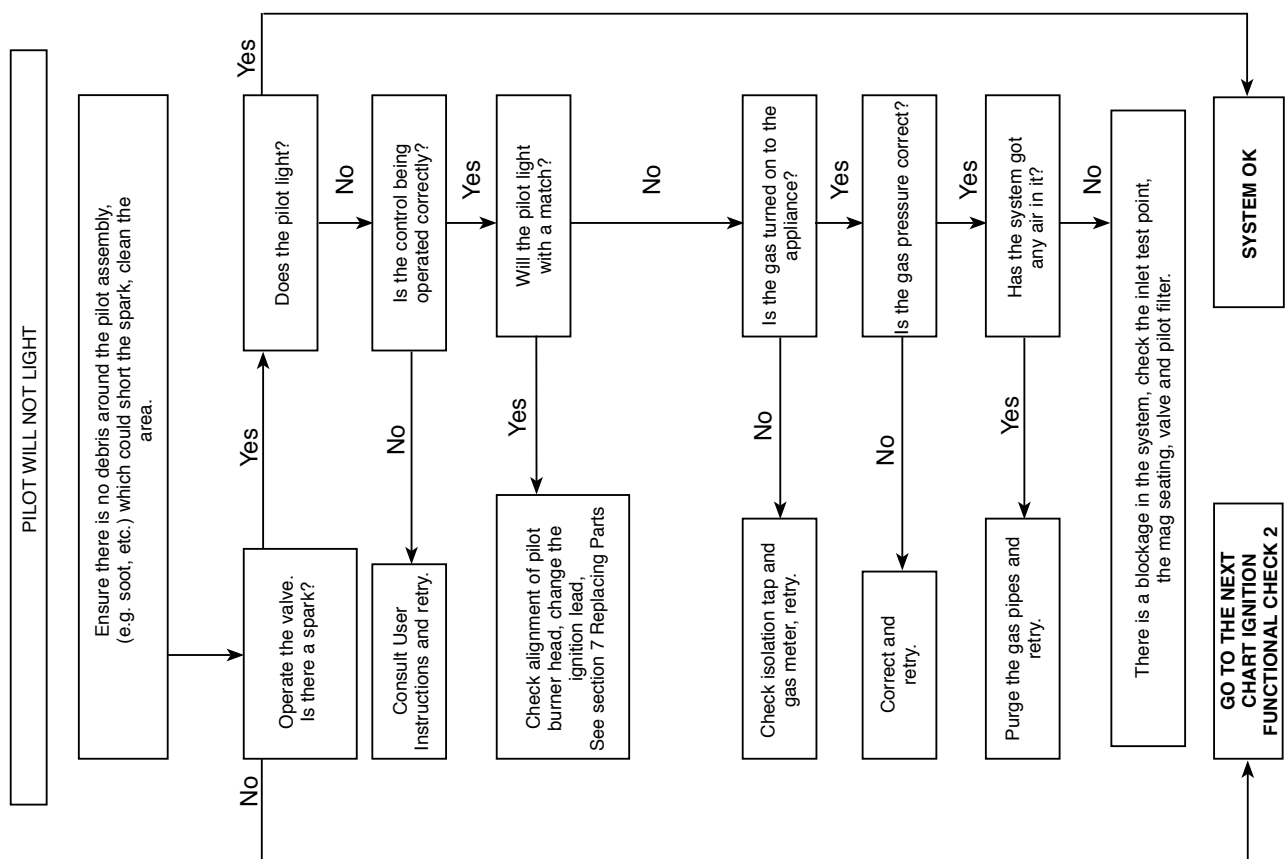
1.3 Correct any faults found during the initial test.

1.4 Re-commission the appliance in accordance with Commissioning Procedures.

1.5 Advise the customer of any remedial work undertaken.



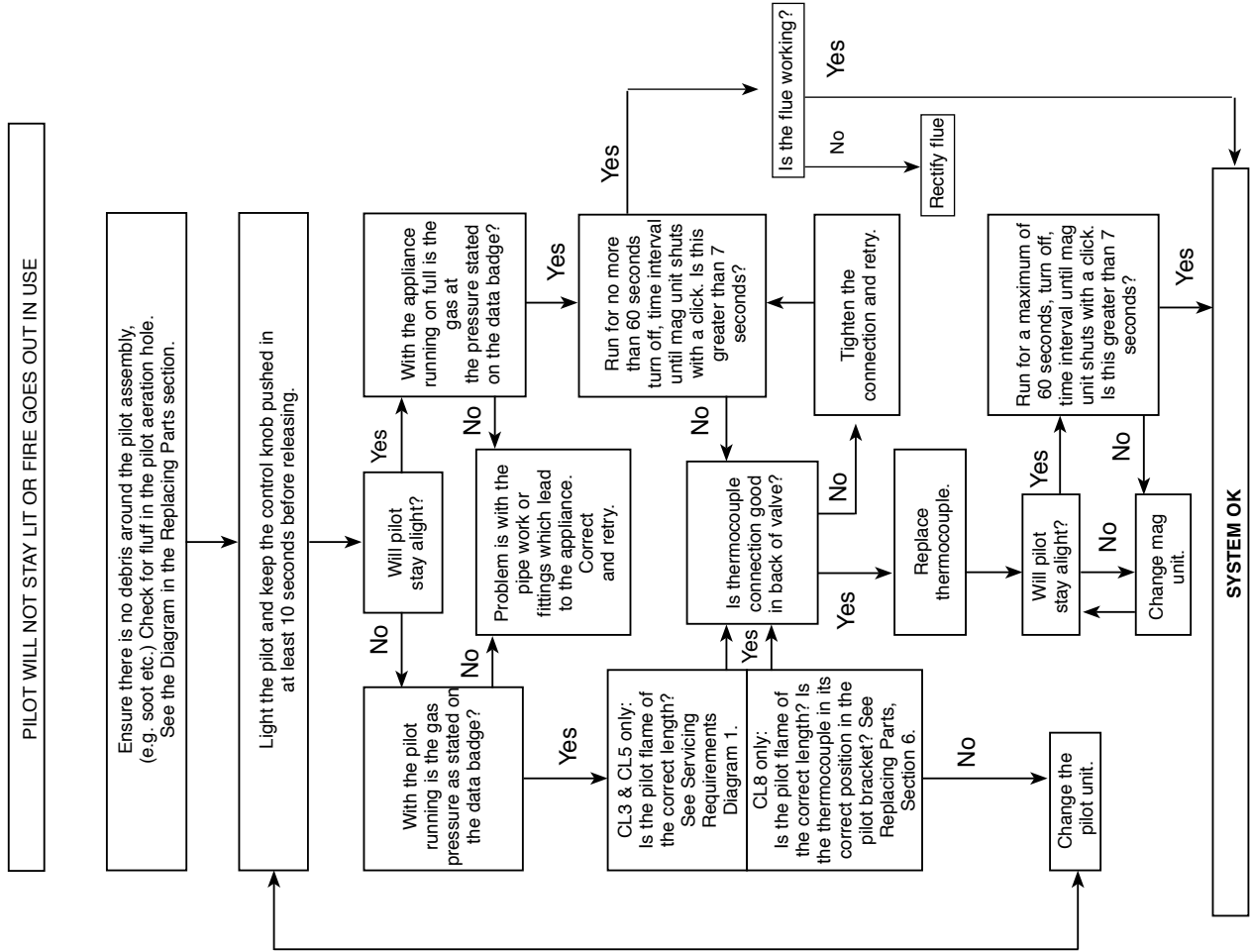
IGNITION FUNCTIONAL CHECK 1



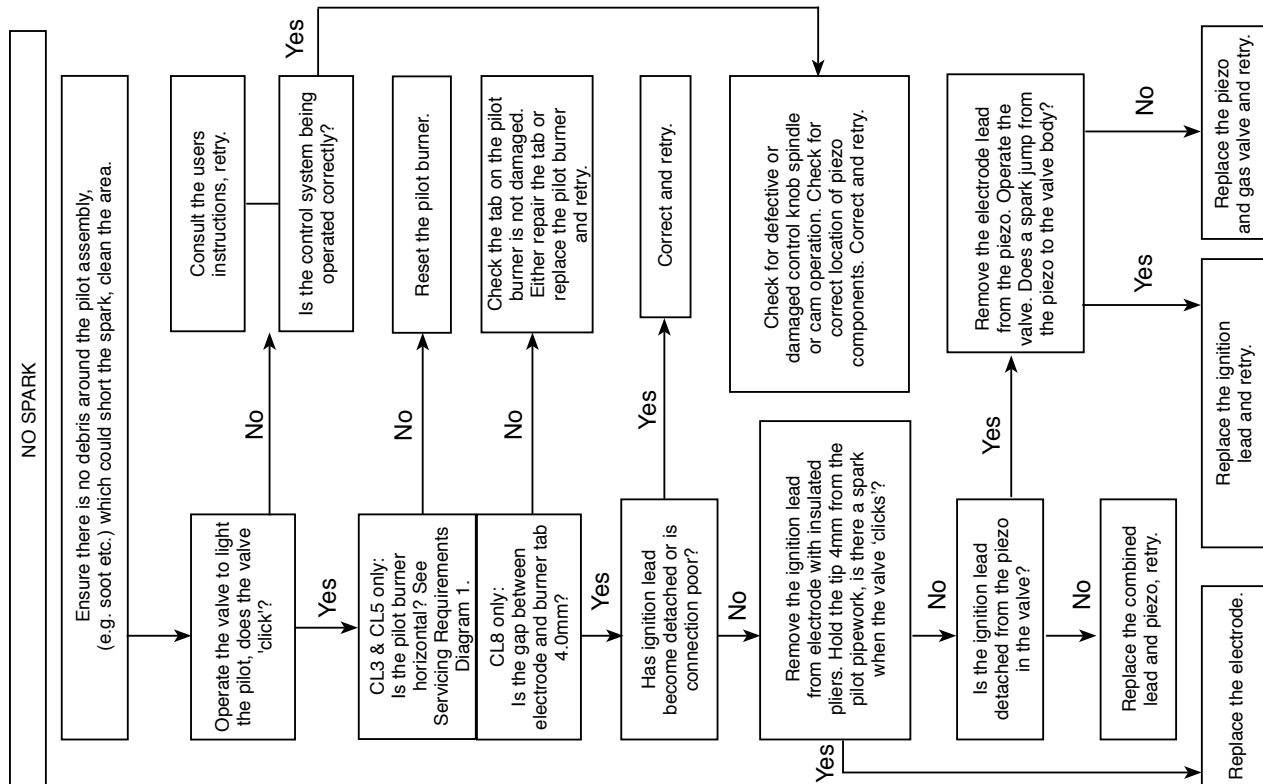
Servicing Instructions

Fault Finding Charts

FLAME FAILURE FUNCTIONAL CHECK 3



IGNITION FUNCTIONAL CHECK 2



Servicing Instructions - Replacing Parts

1. General

- 1.1 All main components can be replaced without removing the appliance from its installation.

IT IS ESSENTIAL THAT THE GAS SUPPLY TO THE APPLIANCE IS TURNED OFF AT THE ISOLATION DEVICE BEFORE PROCEEDING FURTHER.

- 1.2 **Removal of Flue**
If, for any reason, the flue has to be removed from the appliance, the seal must be replaced in the inner spigot.

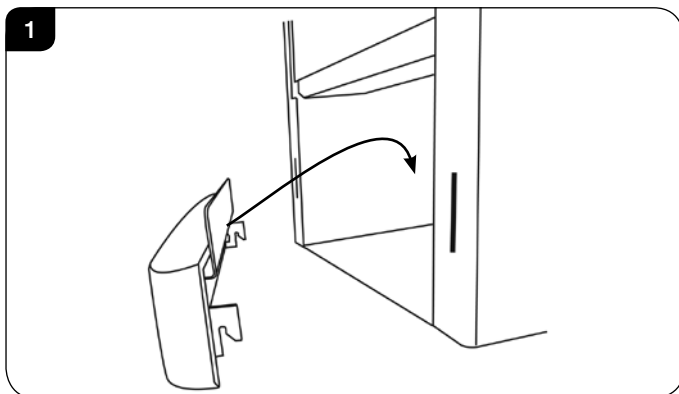
2. Decorative Front



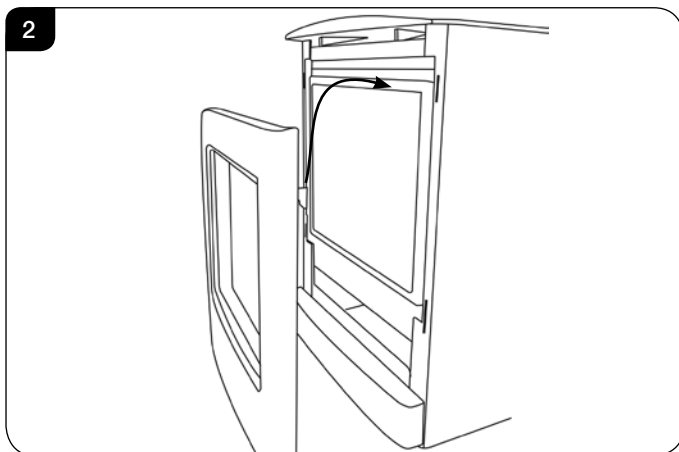
IMPORTANT: THE OUTER PANNELLING OF THE YEOMAN CL IS MADE FROM CAST IRON. USE CAUTION WHEN INSTALLING, REMOVING AND STORING AS THE COMPONENTS ARE HEAVY AND SHOULD BE HANDLED CAREFULLY.

2.1 All Models

Remove the plinth to access the controls by lifting the hooks clear of the slots on the front of the appliance, see Diagram 1.

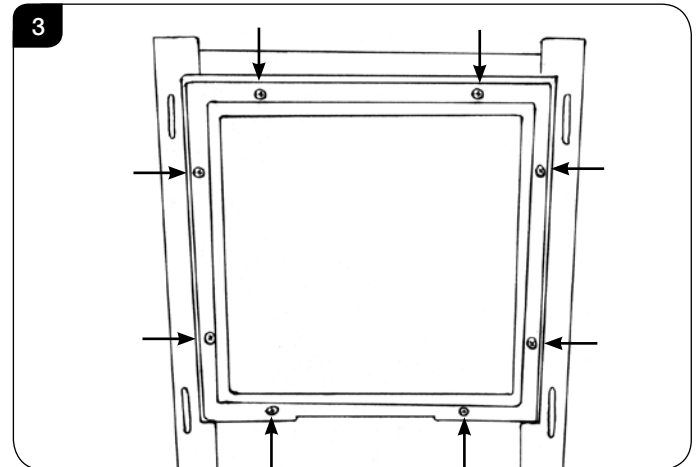


- 2.2 Remove the frame to gain complete access to the control valve and the viewing aperture by lifting the hooks clear of the slots on the front of the appliance, see Diagram 2.



3. Window Frame Assembly

- 3.1 Using screwdriver remove the eight screws securing the window panel to the appliance, Diagram 3.
Take care to support the glass when removing the screws.



- 3.2 Place carefully to one side.
- 3.3 The glass frame must be refitted to the appliance following cleaning or servicing. Hold in position and secure with the screws.
- 3.4 Replace ALL of the securing screws ensuring that a screw is present in all fixing slots.



UNDER NO CIRCUMSTANCES SHOULD THE APPLIANCE BE USED IF ANY OF THE GLASS FRAME RETAINING SCREWS ARE LOOSE OR MISSING.

Servicing Instructions - Replacing Parts

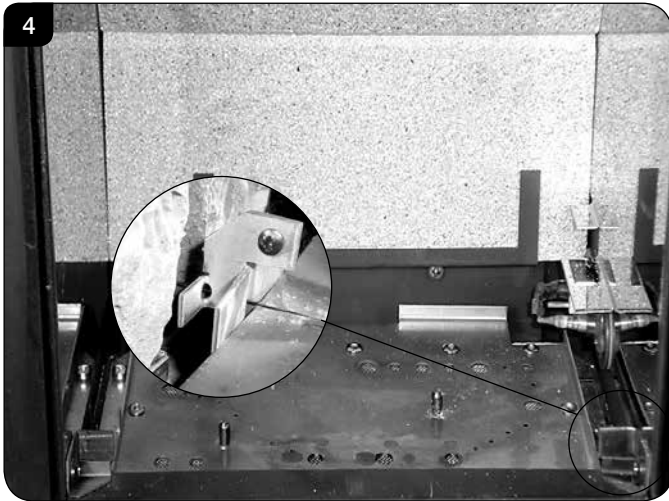
4. Baffle & Liners

- 4.1 To access the burner tray and interior workings of the appliance it may be necessary to remove the baffle and the liners.

4a. Baffle & Liners (CL3 Only)

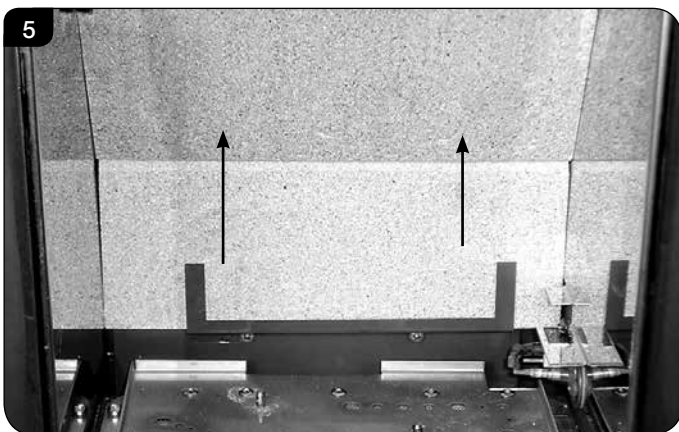
BAFFLE

- 4.2 There is no requirement to remove the baffle for servicing.
- 4.3 The burner can be accessed without the need to remove the side liner panels. If they need to be taken out then first remove the screws securing the two brackets on either side of the firebox. The panels will now slide forward, see Diagram 4.

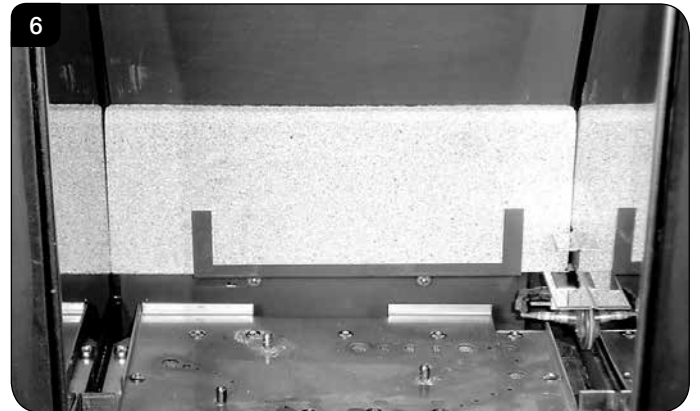


LINERS

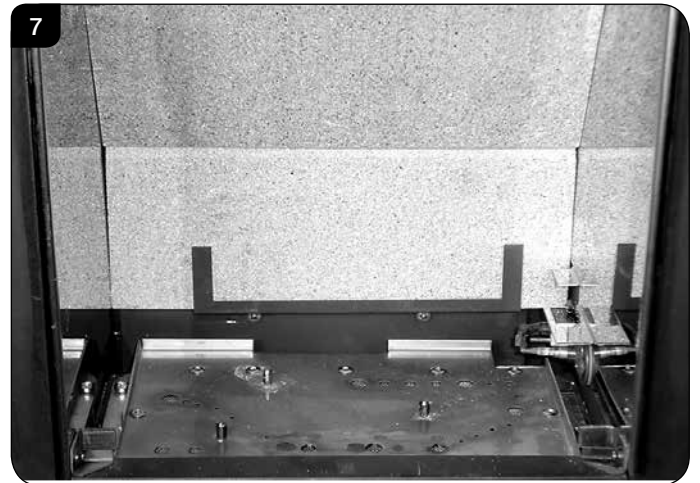
- 4.4 Gently lift the upper rear liner and pull forwards. With the panel raised it should be possible to remove from the liner brackets, see Diagram 5.
Note: It may be necessary to use a flat object like a screwdriver to separate the two panels.



- 4.5 Slide the lower rear liner up and out of the lower bracket, see Diagram 6.



- 4.6 Replace all parts in reverse order ensuring the cutouts in the rear of the lower panel fit over the screws on the back of the firebox, see Diagram 7.

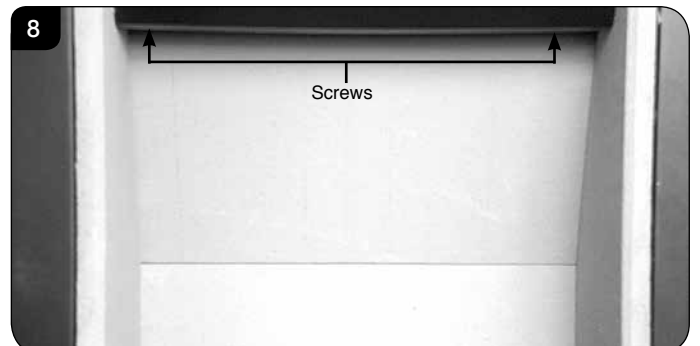


4b. Baffle & Liners (CL5 Only)

BAFFLE

- 4.7 The baffle must be removed before the liners can be taken out of the appliance.

To do this undo the two screws securing it to the roof of the firebox, see Diagram 8.



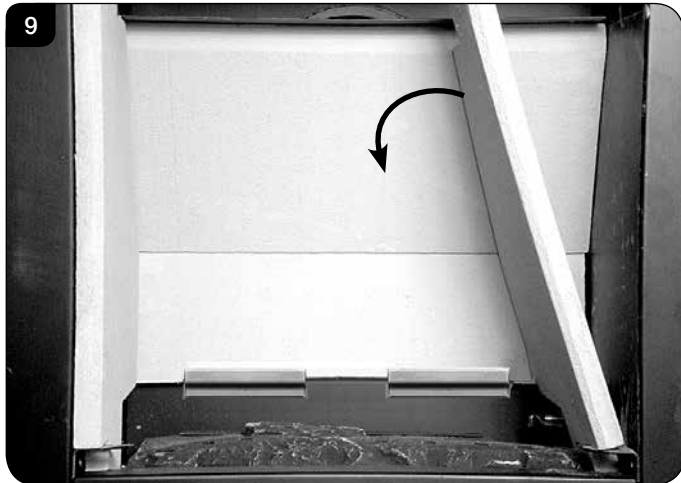
- 4.8 The baffle can now be removed through the front of the appliance.

Servicing Instructions - Replacing Parts

CERAMIC LINERS

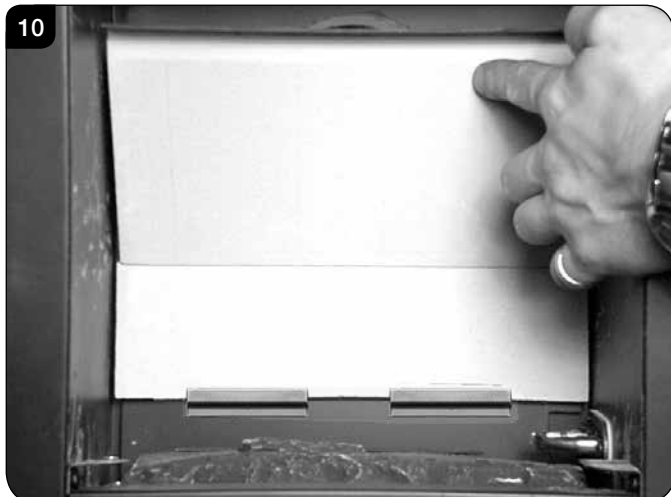
Once the baffle has been placed carefully to one side the liners can then be taken out in the following order.

- 4.9 To remove the Left Hand liner first tilt inwards towards the centre of the firebox before lifting up and pulling out through the front of the firebox, see Diagram 9.

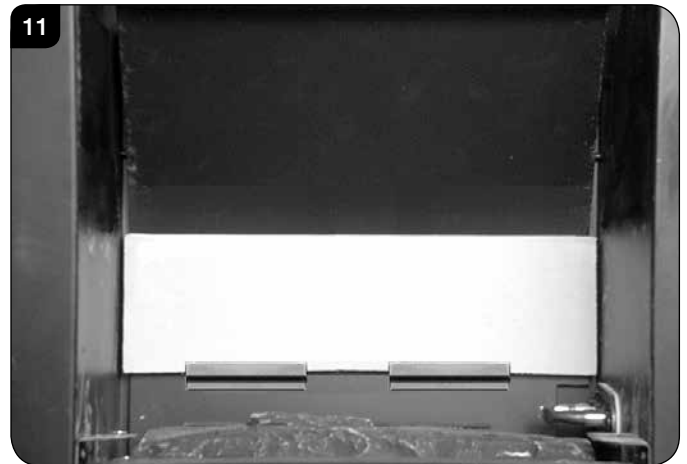


- 4.10 To remove the Right Hand liner first tilt inwards towards the centre of the firebox before lifting up and pulling out through the front of the firebox, see Diagram 9.

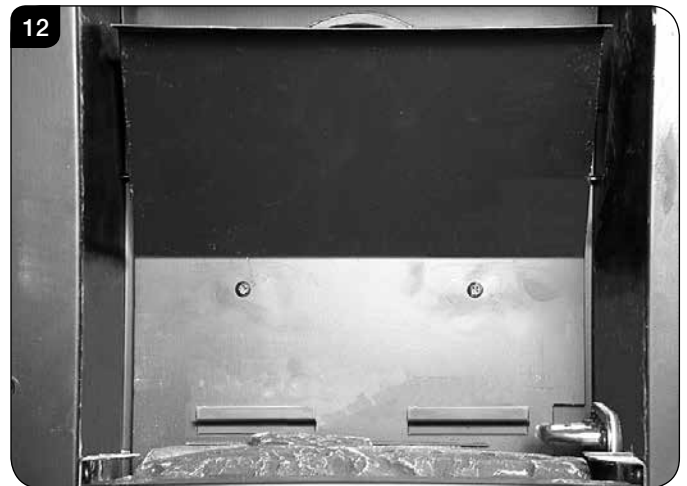
The two side liners also support the raised rear liner. Taking out the side liners will allow the rear liner to drop down so ensure it is supported and removed carefully, see Diagram 10.



- 4.11 The lower rear liner does not need to be removed from the bracket in order to access the burner tray for maintenance, but can be lifted off in order to clean or replace, see Diagram 11.



- 4.12 With the liners and baffle removed the firebox is clear for cleaning and maintenance, see Diagram 12.



- 4.13 To replace the liners and baffle reverse these procedures.

4c. Baffle & Liners (CL8 Only)

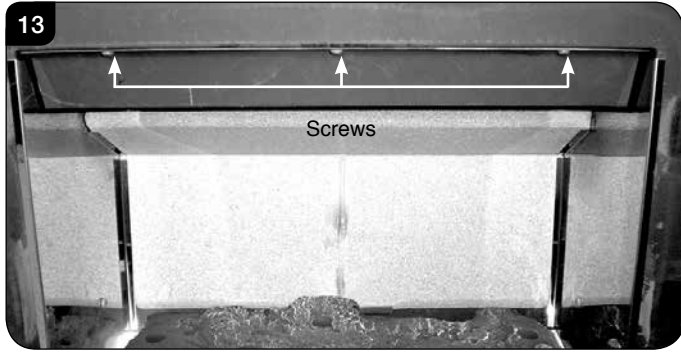
- 4.14 To access the burner tray and interior workings of the appliance it may be necessary to remove the baffles and the liners.
- 4.15 This appliance has 2 baffles, 1 metal and 1 vermiculite, that must be removed before the liners can be taken out of the appliance.
- 4.16 Remove the logs.

Servicing Instructions - Replacing Parts

METAL BAFFLE

To remove the metal baffle:

- 4.17 Undo the 3 screws securing it to the roof of the firebox, see Diagram 13.

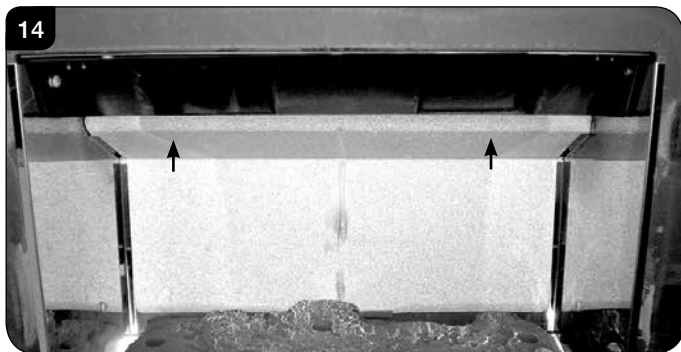


- 4.18 The baffle can now be removed through the front of the appliance.

VERMICULITE BAFFLE

To remove the vermiculite baffle:

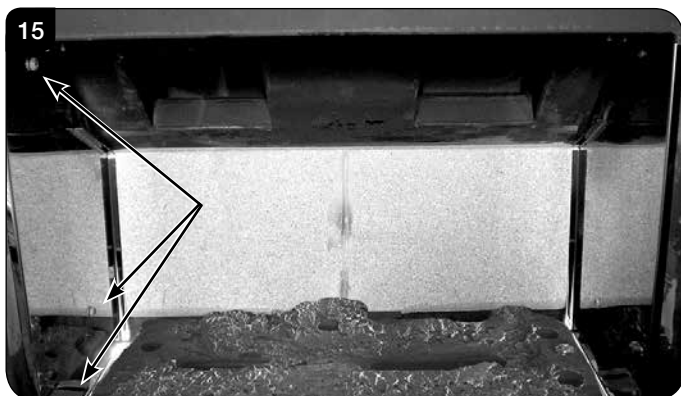
- 4.19 Lift the vermiculite baffle and slide out through the front of the appliance, see Diagram 14.



Once the baffles have been placed carefully to one side the liners can then be taken out in the following order.

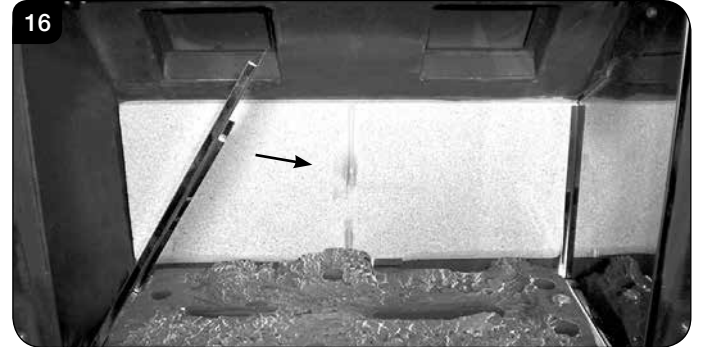
REFLECTIVE LINERS

- 4.20 To remove the left hand liner undo the 3 screws, including the 1 under the log guard bracket, see Diagram 15.



- 4.21 Remove the log guard bracket.

- 4.22 Tilt the liner inwards towards the centre of the firebox before lifting up and pulling out through the front of the firebox, see Diagram 16.



- 4.23 To remove the right hand liner undo the 3 screws, including the 1 under the log guard bracket, see Diagram 15.

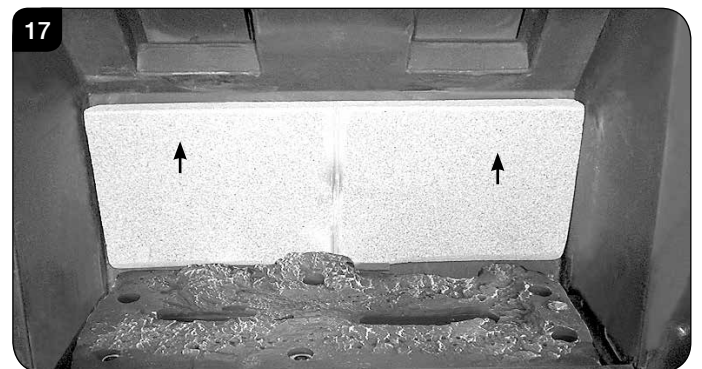
- 4.24 Remove the log guard bracket.

- 4.25 Tilt the liner inwards towards the centre of the firebox before lifting up and pulling out through the front of the firebox, see Diagram 16.

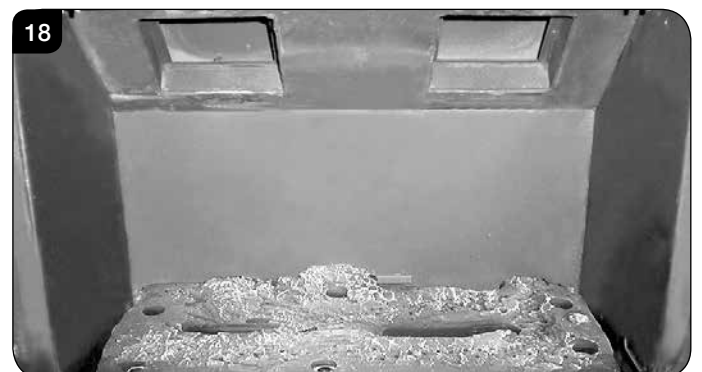
VERMICULITE LINER

- 4.26 The rear liner does not need to be removed in order to access the burner tray for maintenance, however it is advisable to remove the rear panel to avoid possible damage and to clean or replace.

- 4.27 To remove the back panel lift out of the bracket and remove through the front of the appliance, see Diagram 17.



- 4.28 With the liners and baffle removed the firebox is clear for cleaning and maintenance, see Diagram 18.



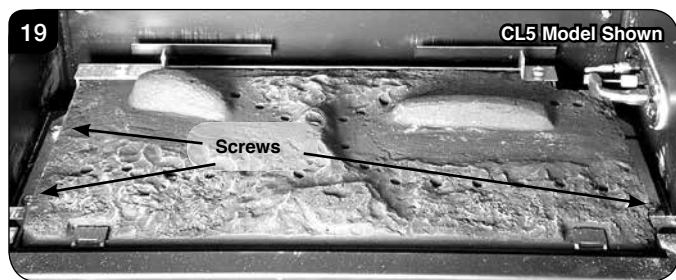
Servicing Instructions - Replacing Parts

5. Main Burner

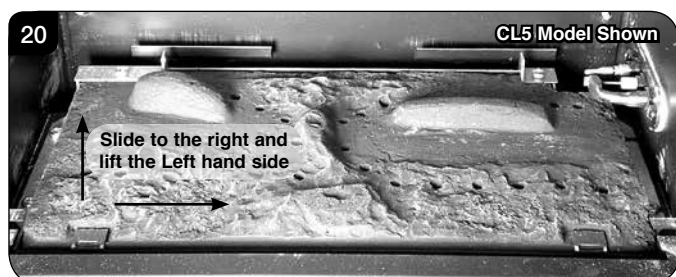
5.1 To replace the main burner:

Remove the baffle and enamel liners, see Section 4.

5.2 Remove the three securing screws from the edges of the burner, see Diagram 19.



5.3 Slide the burner fully to the right whilst lifting the Left Hand side clear of the bracket, see Diagram 20.



5.4 Slide the burner back to the left and out of its location.
IMPORTANT: Take care when removing the burner not to damage the ceramic pad with the pilot unit attached.

Refit in reverse order

6. Pilot Unit

All models have a serviceable Pilot Unit - see section for individual model requirements.

IMPORTANT: UNDER THE TERMS OF THE EXTENDED WARRANTY IT WILL BE COMPULSORY TO CHANGE THE COMPLETE PILOT UNIT ON THIS APPLIANCE IN YEARS 2 AND 4.

CL3 and CL5 Only

6.1 The pilot assembly consists of five components, which can be individually replaced:

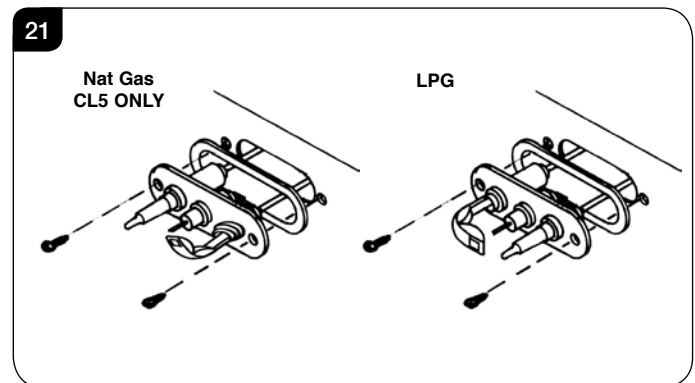
- Pilot burner bracket
- Pilot injector
- Electrode
- Thermocouple
- Gasket

6.2 Turn the gas supply off at the isolation device, remove the door and place to one side, carefully remove the ceramic fuel bed components.

Pilot Burner Bracket

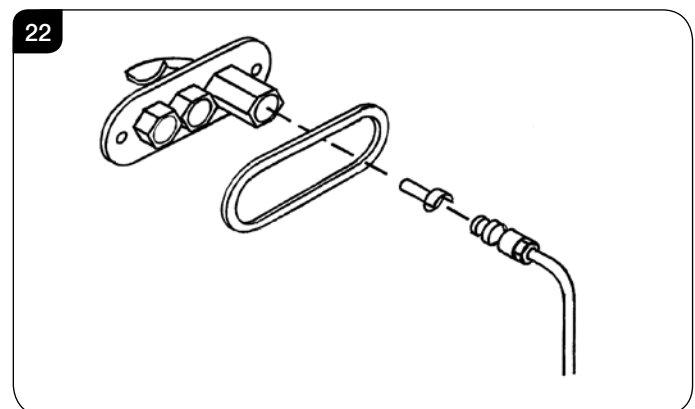
6.3 Remove the two fixing screws from the pilot bracket, see Diagram 21. Gently draw the assemble away from the firebox to give access to the nuts and ignition lead.

NOTE: TAKE CARE NOT TO DAMAGE THE GASKET.



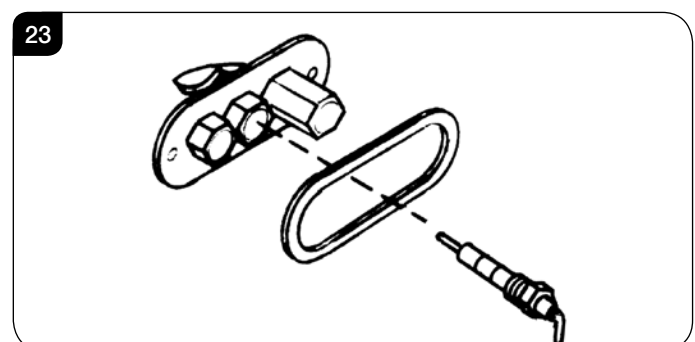
Pilot Injector

6.4 Undo the compression nut on the pilot feed pipe and withdraw the injector which will be hooked onto the olive. When replacing an injector always make sure it is hooked onto the olive before inserting it into the pilot burner, see Diagram 22.



Electrode

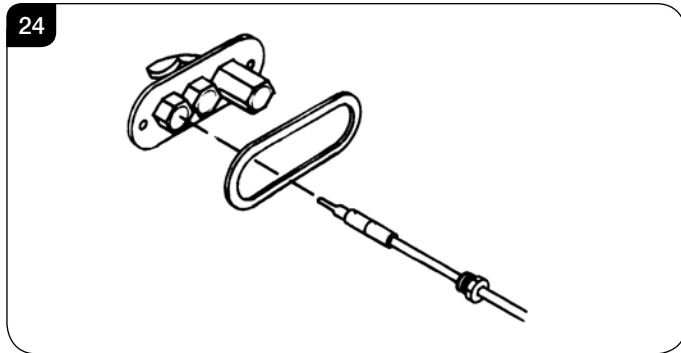
6.5 Disconnect the ignition lead and undo the retaining nut. The electrode can now be removed, note the orientation of the electrode terminal when reassembling, see Diagram 23.



Servicing Instructions - Replacing Parts

Thermocouple

- 6.6 Undo the retaining nut and withdraw the thermocouple. Undo the thermocouple from the back of the gas valve, see Diagram 24. Reassemble in reverse order. Do not overtighten.



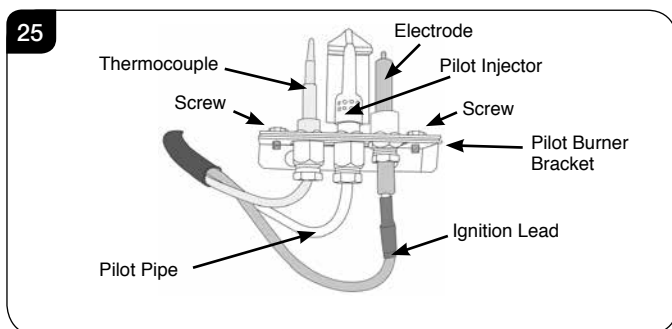
Gasket

- 6.7 Disconnect all the above components and withdraw the gasket. If it is damaged, replace with a new item. **Always replace the gasket first when reassembling the pilot components.**

CL8 Only

The pilot assembly consists of 4 components which can be individually changed:

Pilot burner bracket
Electrode
Pilot injector
Thermocouple



NOTE: Ensure the sealant surrounding the Electrode and Thermocouple leads is replaced if disturbed or removed whilst gaining access to these components.

- 6.8 Turn the gas supply off at the isolation device, remove the door and place to one side, carefully remove the ceramic fuel bed components.

Pilot Burner Bracket

To remove the Pilot Burner Bracket:

- 6.9 **First remove the electrode, pilot pipe and thermocouple as described in the following sections.**
- 6.10 Remove the 2 screws securing the bracket. The pilot burner bracket can now be removed.
- 6.11 Replace in reverse order.

Electrode

- 6.12 Pull the ignition lead off the electrode and undo the retaining nut, see Diagram 25.
- 6.13 Replace with a new electrode. Do not over-tighten the nut; this could break the component.
- 6.14 Replace the ignition lead by pushing the spade connector onto the terminal (electrode).

Pilot Injector

- 6.15 Undo the pilot pipe from the gas valve and from the underside of the pilot burner, see Diagram 25.
- 6.16 Remove the pipe and the injector drops out from the burner.

Thermocouple

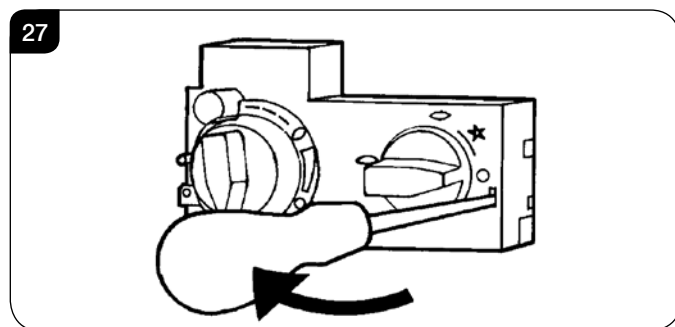
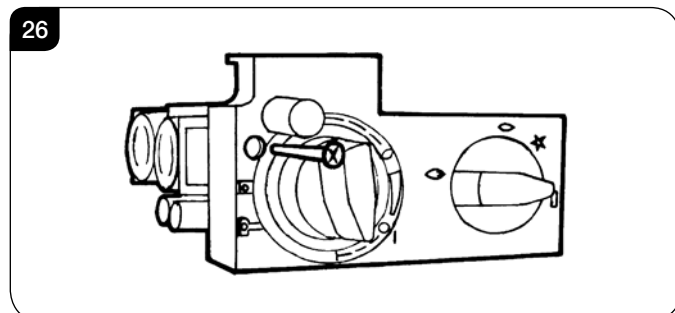
- 6.17 Disconnect the thermocouple from the gas valve.
- 6.18 Undo the thermocouple nut in the back of the pilot bracket half a turn. This releases the thermocouple.
- 6.19 When replacing with a new thermocouple, take care to bend the new component to the same shape as the thermocouple just removed.
- 6.20 To refit the thermocouple into the pilot bracket, ensure it is pushed fully into the hole. There is a stop on the thermocouple to set the height.
- 6.21 Lock the retaining nut just enough to grip the thermocouple.
- 6.22 Connect the thermocouple to the valve **taking care not to over-tighten.**

Servicing Instructions - Replacing Parts

7. Ignition Lead

- 7.1 Follow the Pilot Unit instruction to access the back of the pilot assembly.
- 7.2 Disconnect the ignition lead from the electrode.
- 7.3 Remove the front cover from the control valve by removing the retaining screw, see Diagram 26 and gently levering clear with flat bladed screwdriver, see Diagram 27.

NOTE: There is a small cylindrical metal spacer inside the cover, this must be kept and replaced on the fixing screw on re-assembly.



- 7.4 Disconnect the other end of the ignition lead from the valve body noting the route of the ignition lead.
- 7.5 Replace with a new ignition lead following the same route as the old one.
Replace the valve cover and the pilot assembly.
- 7.6 Check operation of the new ignition lead.

8. Piezo

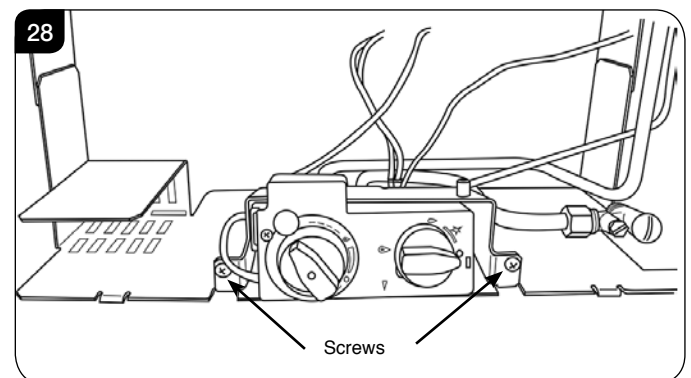
- 8.1 The piezo assembly used on this appliance is not serviceable and is not likely to fail.
- 8.2 If a new piezo is required it will be necessary to change the valve, see Section 9.

9. Gas Valve

- 9.1 To remove the valve turn off the gas supply at the isolation device.
- 9.2 Remove the main burner, see Section 5.
- 9.3 From inside the firebox remove the locknut from the injector, see Section 11.

CL3 & CL5

- 9.4 Remove the pilot feed pipe from the pilot unit, see Section 6.
- 9.5 Remove the 2 screws at the front of the valve bracket, see Diagram 28.

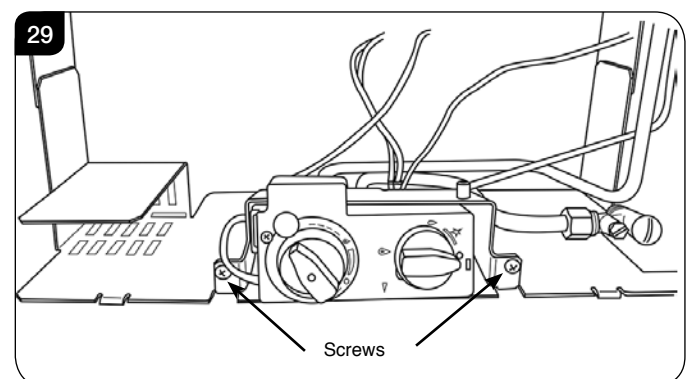


- 9.6 Slide the bracket slightly to the right and pull forward to access the valve connections.
- 9.7 Proceed to 9.11.

CL8

Due to limited access to the pilot feed pipe connection at the pilot unit it is only necessary for this to be removed from the gas valve.

- 9.8 Remove the 2 screws at the front of the valve bracket, see Diagram 29.

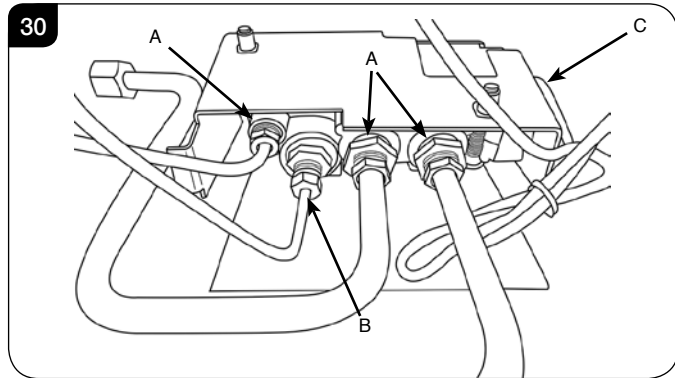


- 9.9 Slide the bracket slightly to the right and pull forward to access the valve connections.
- 9.10 Proceed to 9.11.

Servicing Instructions - Replacing Parts

All Models

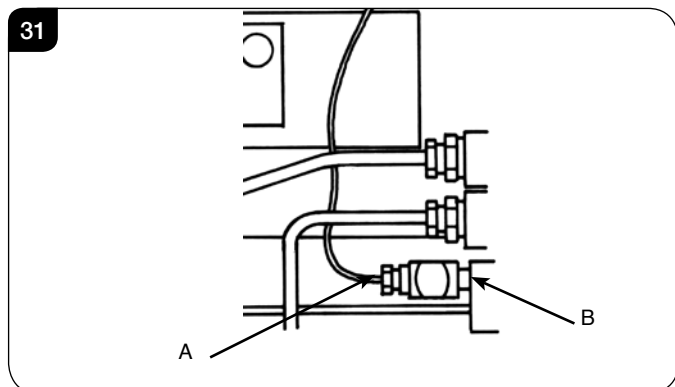
- 9.11 Disconnect the 2 x 8mm and 1 x 4mm gas pipe fittings at the back of the gas valve, see Diagram 30 (A).
- 9.12 Disconnect the thermocouple, see Diagram 30 (B).



- 9.13 Disconnect the ignition lead from the gas valve, see Diagram 30 (C).
- 9.14 Remove the cover, see Section 9.3.
- 9.15 Undo the 2 screws securing the gas valve to the appliance and remove the valve.
- 9.16 Replace in reverse order.
- 9.17 Check all joints for gas leaks and check operation of the thermocouple and ignition lead.

10. Magnetic Safety Valve

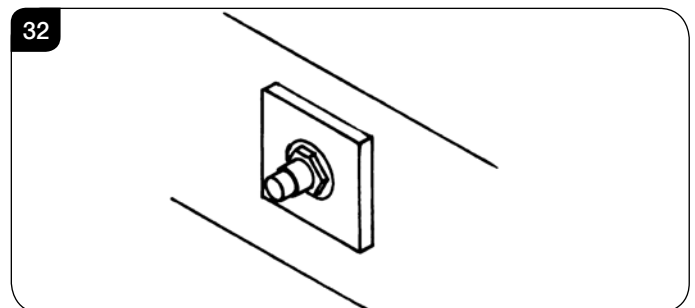
- 10.1 Turn the gas supply off at the isolation device.
- 10.2 Undo the thermocouple connection from the back of the gas valve, Diagram 31 (A).
- 10.3 Undo the magnetic valve-retaining nut from the back of the control valve, see Diagram 31 (B).
- 10.4 Gently tap out the magnetic valve and replace with a new unit.
- 10.5 Replace the retaining nut and tighten.



- 10.6 Secure the thermocouple connection in the rear of the gas control. (Do not overtighten).
- 10.7 Turn the gas supply on and check the entire pipework and valve joints for any leaks.

11. Main Injector

- 11.1 To remove the main injector turn off the gas supply at the isolation device.
- 11.2 Remove the main burner, see Section 5.
- 11.3 Undo the compression nut from the feed pipe at the gas control under the appliance.
- 11.4 Working from inside the firebox remove the lock nut from the injector, see Diagram 32.



- 11.5 Extract the injector with the feed pipe from beneath the appliance.
- 11.6 Holding the injector with a spanner:
- 11.7 Undo the feed pipe. **Note the orientation of the Injector.**
- 11.8 Re-assemble in reverse order.
- 11.9 Turn on the gas supply and check for leaks.

Servicing Instructions - Replacing Parts

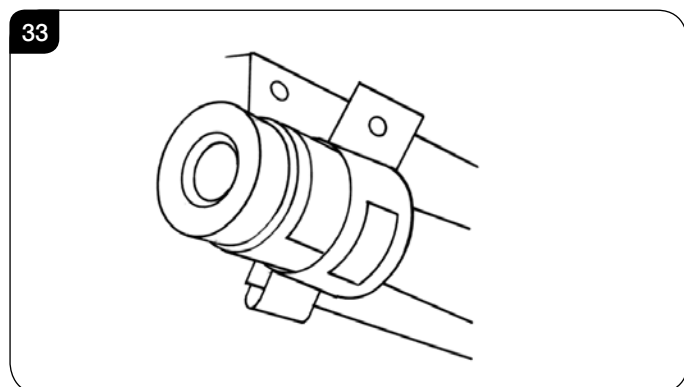
12. Primary Aeration Plate

NOTE: Not all models have aeration plates. Please refer to the Technical Specification.

- 12.1 To replace the primary aeration plate turn off the gas supply at the isolation device.
- 12.2 Remove the burner, as described in Installation Instructions, Replacing Parts, Section 5.

CL3 & CL5

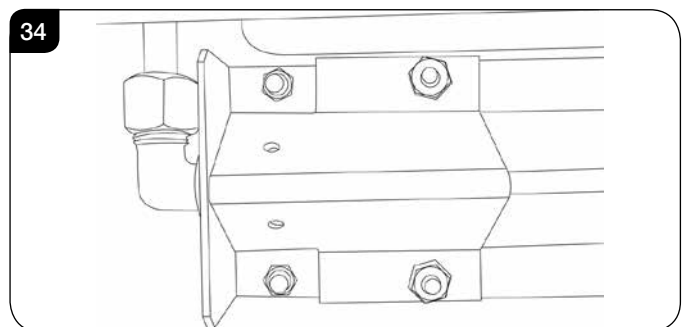
- 12.3 Remove the fixing screw and slide the plate off the venturi.
- 12.4 Replace with the correct size plate and secure with the screw. Ensure the lower edge of the plate is located over the venturi flange, see Diagram 33.



- 12.5 Reassemble in reverse order.
NOTE: Even if no aeration plate is required, the small screw must be replaced.

CL8

- 12.6 Remove the fixing nuts and slide the plate off the venturi.
- 12.7 Replace with the correct size plate and secure with the nuts. Ensure the lower edge of the plate is located over the venturi flange, see Diagram 34.



- 12.8 Reassemble in reverse order.

13. Changing Between Gas Types

A kit of parts is available for this - Contact your Gazco retailer for further information.

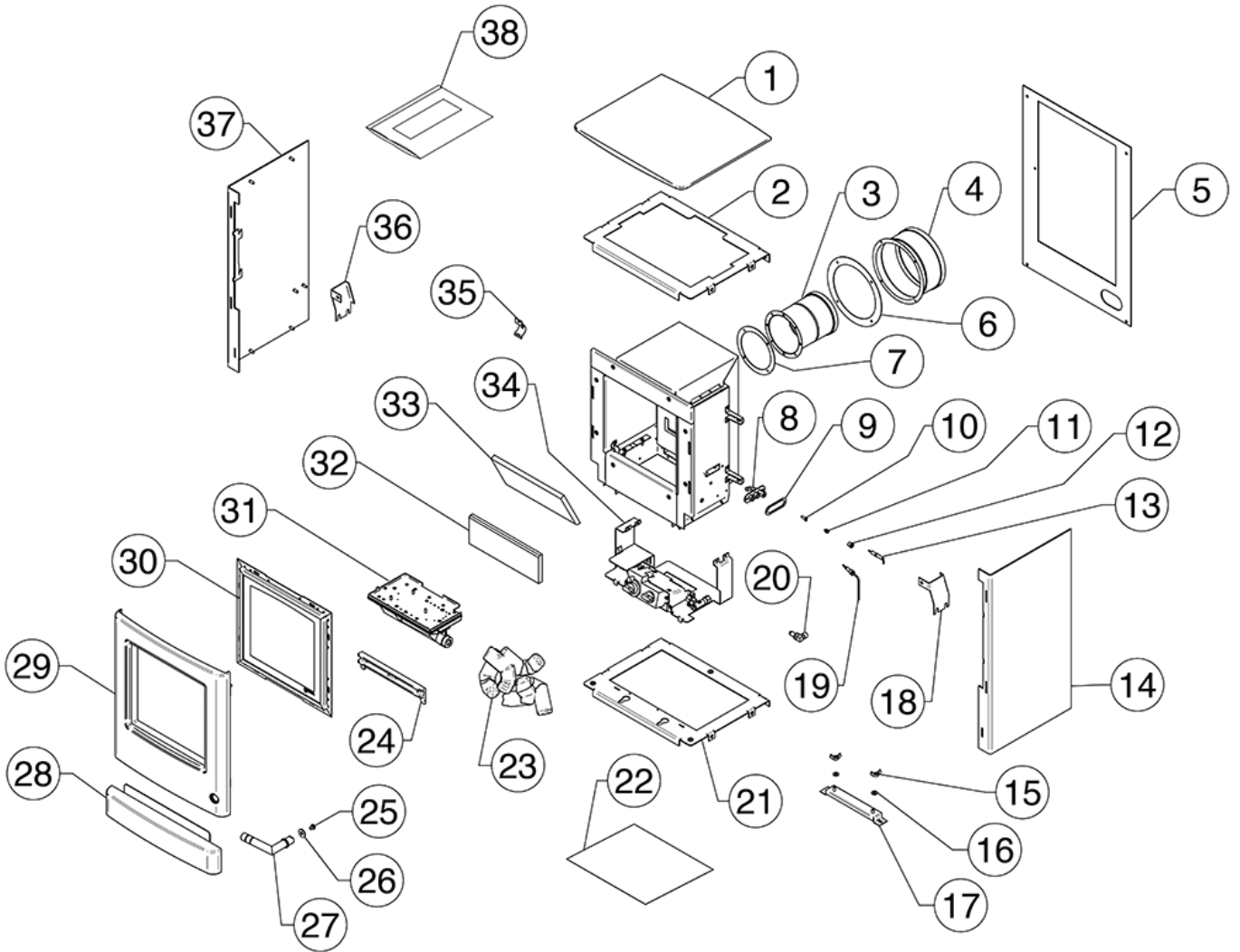
Always quote the Model number and Serial number when ordering any spare parts.

14. Control Upgrade

See Installation Instructions, Section 2.

Servicing Instructions - Replacing Parts

15. Spare Parts List - CL3



Servicing Instructions - Replacing Parts

15. Spare Parts List - CL3

No.	Component	Part Code		
		Natural Gas	LPG	Quantity
1	Cast Top	CA0723		1
2	Top Plate	GZ8689		1
3	Inner Spigot	MEC0231		1
4	Outer Spigot	MEC0232		1
5	Back Panel	GZ9762		1
6	Outer Gasket	CE0211		1
7	Inner Flue Gasket	CE0210		1
8	Pilot Burner Body	PI0051		1
9	Pilot Gasket	PI0052		1
10	Pilot Injector	PI0026	PI0015	1
11	Hook Olive	PI0013		1
12	Hook Nut	PI0014		1
13	Electrode	PI0053		1
14	RH Panel Assembly	GZ9653		1
15	M6 Wing Nut	C94225		2
16	1/4" Washer	FA0024		2
17	Stove Floor Fixing Bracket	GZ9744		1
18	Rear Firebox Bracket RH	GZ8715		1
19	Thermocouple	PI0010		1
20	Elbow Injector	IN0040 - Size 185	IN0071 - Size 90	1

No.	Component	Part Code		
		Natural Gas	LPG	Quantity
21	Base Plate	GZ8690		1
22	Instruction Manual	PR2031		1
23	Log Set	CE1559		1
24	Cast Log Retainer	CA0743		1
25	M6 x 8 CSK Pozi Screw	FA0063		1
26	M8 Washer	C99240		1
27	Door Handle Assembly	GZ9424		1
28	Control Cover Assembly	GZ9755		1
29	Main Door Assembly	GZ9754		1
30	Glass & Frame Assembly	GZ9750		1
31	Burner Assembly	GZ12754	GZ12755	1
32	Back Ceramic Panel	CE1560		1
33	Top Ceramic Panel	CE1561		1
34	Control Assembly	GZ12252		1
35	Aeration Cover	GZ3270	GZ3966	1
36	Rear Firebox Bracket LH	GZ8716		1
37	LH Panel Assembly	GZ9652		1
38	Embaglow Steel Fibre	GZ8471		1



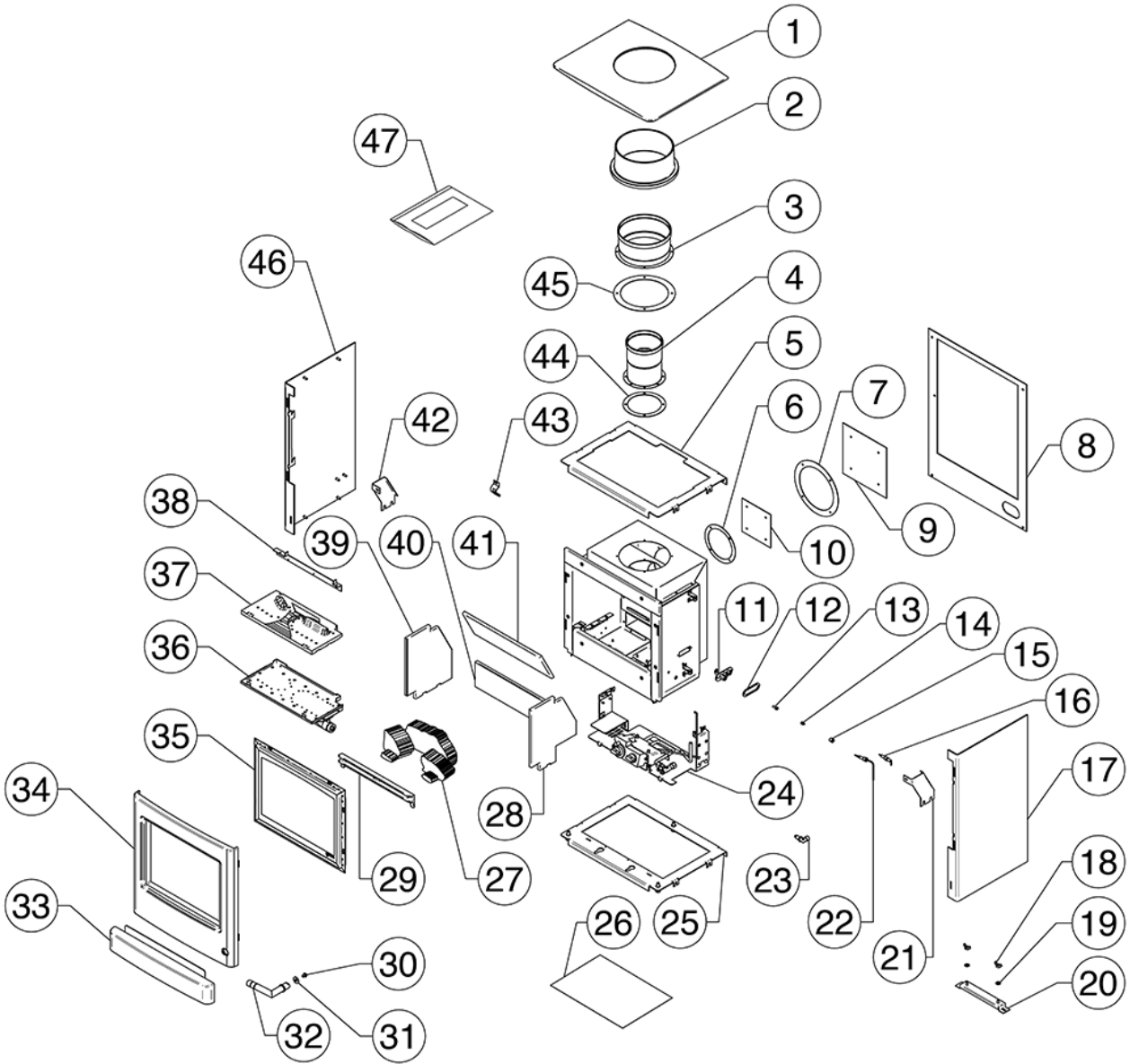
Due to continual technical improvements please check online or with your Yeoman retailer for the most up to date parts lists.

Only use Genuine Yeoman spares when servicing your appliance.

All of our essential spare parts and consumable items are available to purchase from our webshop at www.yeomanspares.com.

Servicing Instructions - Replacing Parts

15. Spare Parts List - CL5 Top Exit



Servicing Instructions - Replacing Parts

15. Spare Parts List - CL5 Top Exit

No.	Component	Part Code		
		Natural Gas	LPG	Quantity
1	Cast Plug	CA0728		1
2	Cast Flue Collar	CA0727		1
3	Outer Spigot	MEC0232		1
4	Inner Spigot	MEC0231		1
5	Top Plate	GZ8651		1
6	Inner Flue Spigot Gasket	CE0210		1
7	Outer Flue Spigot Gasket	CE0211		1
8	Back Panel	GZ8650		1
9	Outer Flue Blanking Plate	GZ1321		1
10	Inner Flue Blanking Plate	GZ1320		1
11	Pilot Burner Bracket	PI0051		1
12	Pilot Gasket	PI0052		1
13	Pilot Injector	PI0026	PI0015	1
14	Hook Olive	PI0013		1
15	Hook Nut	PI0014		1
16	Electrode	PI0053		1
17	RH Panel Assembly	GZ9655		1
18	M6 Wing Nut	C94225		2
19	1/4" Washer	FA0024		2
20	Stove Floor Fixing Bracket	GZ9744		1
21	Rear Firebox Bracket RH	GZ8710		1
22	Thermocouple	PI0011		1
23	Elbow Injector	IN0060 Size 158	IN0054 Size 110	1
24	Control Assembly	GZ11258N	GZ12258P	1

No.	Component	Part Code		
		Natural Gas	LPG	Quantity
25	Base Plate	GZ8652		1
26	Instruction Manual	PR2031		1
27	Log Set	CE0960		1
28	RH Ceramic Panel	CE1014		1
29	Cast Log Retainer	CA0744		1
30	M6 x 16 CSK Pozi Screw	FA0053		1
31	M8 Washer	C92240		1
32	Door Handle Assembly	GZ9424		1
33	Control Cover Assembly	GZ9757		1
34	Main Door Assembly	GZ9756		1
35	Glass & Frame Assembly	GZ9752		1
36	Burner Assembly	GZ9646	GZ9647	1
37	Base Ceramic Panel	CE0997	CE1024	1
38	Rear Log Retainer	GZ9553	GZ9758	1
39	LH Ceramic Panel	CE1013		1
40	Back Ceramic Panel	CE1015		1
41	Top Ceramic Panel	CE1030		1
42	Rear Firebox Bracket LH	GZ8712		1
43	Aeration Plate - ID letter K	GZ3869		1
44	Inner Flue Spigot Gasket	CE0210		1
45	Outer Flue Spigot Gasket	CE0211		1
46	LH Panel Assembly	GZ9654		1
47	Embaglow Steel Fibre	GZ8471		1



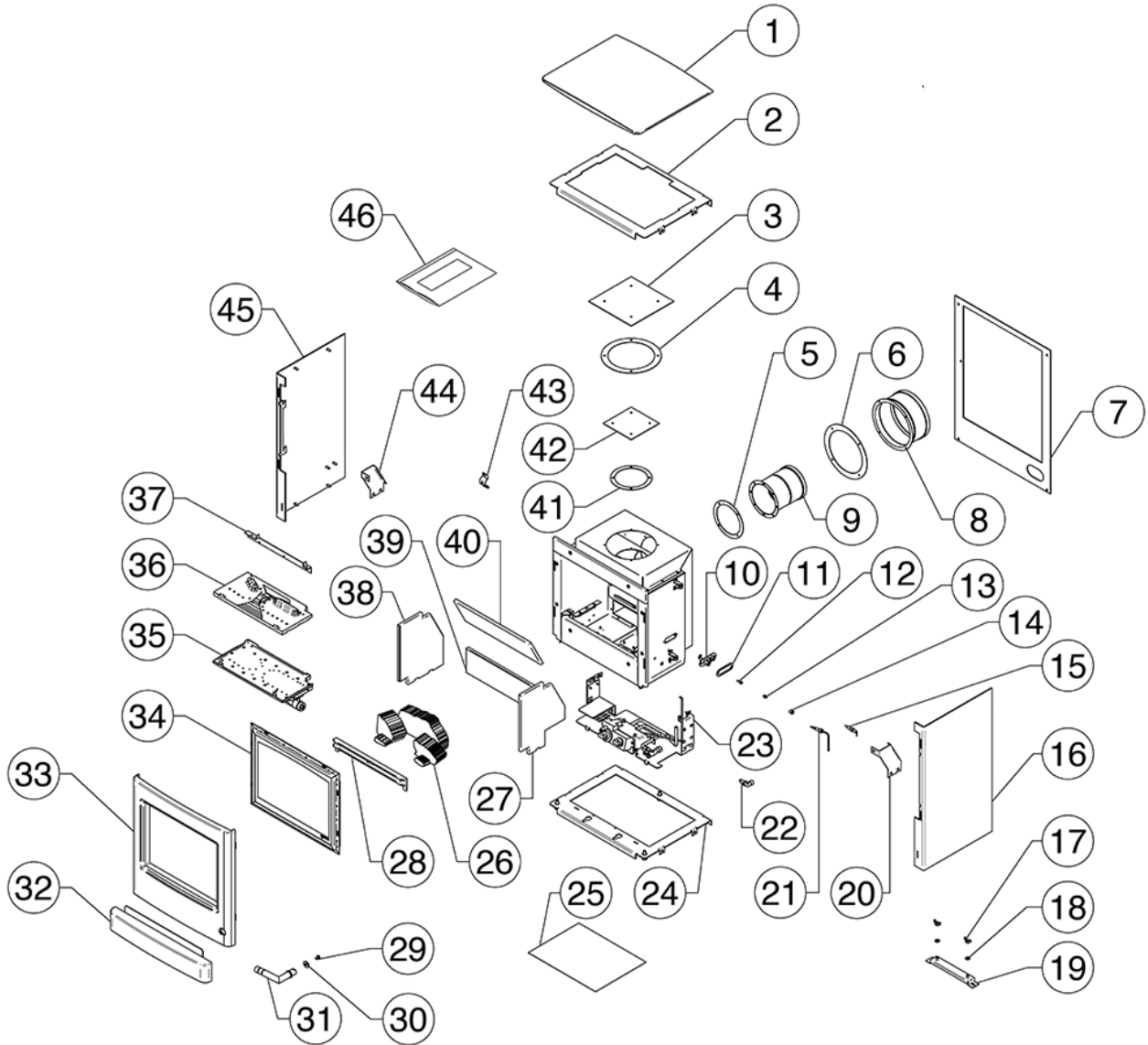
Due to continual technical improvements please check online or with your Yeoman retailer for the most up to date parts lists.

Only use Genuine Yeoman spares when servicing your appliance.

All of our essential spare parts and consumable items are available to purchase from our webshop at www.yeomanspares.com.

Servicing Instructions - Replacing Parts

15. Spare Parts List - CL5 Rear Exit



Servicing Instructions - Replacing Parts

15. Spare Parts List - CL5 Rear Exit

No.	Component	Part Code		
		Natural Gas	LPG	Quantity
1	Cast Top	CA0740		1
2	Top Plate	GZ8651		1
3	Outer Flue Blanking Plate	GZ1321		1
4	Outer Flue Spigot Gasket	CE0211		1
5	Inner Flue Spigot Gasket	CE0210		1
6	Outer Flue Spigot Gasket	CE0211		1
7	Back Panel	GZ8650		1
8	Outer Spigot	MEC0232		1
9	Inner Spigot	MEC0231		1
10	Pilot Burner Body	PI0051		1
11	Pilot Gasket	PI0052		1
12	Pilot Injector	PI0026	PI0015	1
13	Hook Olive	PI0013		1
14	Hook Nut	PI0014		1
15	Electrode	PI0053		1
16	RH Panel Assembly	GZ9655		1
17	M6 Wing Nut	C94225		2
18	1/4" Washer	FA0024		2
19	Stove Floor Fixing Bracket	GZ9744		1
20	Rear Firebox Bracket RH	GZ8710		1
21	Thermocouple	PI0011		1
22	Elbow Injector	IN0060 Size 158	IN0054 Size 110	1
23	Control Assembly	GZ12258N	GZ12258P	1

No.	Component	Part Code		
		Natural Gas	LPG	Quantity
24	Base Plate	GZ8652		1
25	Instruction Manual	PR2031		1
26	Log Set	CE0960		1
27	RH Ceramic Panel	CE1014		1
28	Cast Log Retainer	CA0744		1
29	M6 x 16 CSK Pozi Screw	FA0053		1
30	M8 Washer	C92240		1
31	Door Handle Assembly	GZ9424		1
32	Control Cover Assembly	GZ9757		1
33	Main Door Assembly	GZ9756		1
34	Glass & Frame Assembly	GZ9752		1
35	Burner Assembly	GZ9646	GZ9647	1
36	Base Ceramic Panel	CE0997	CE1024	1
37	Rear Log Retainer	GZ9553	GZ9758	1
38	LH Ceramic Panel	CE1013		1
39	Back Ceramic Panel	CE1015		1
40	Top Ceramic Panel	CE1030		1
41	Inner Flue Spigot Gasket	CE0210		1
42	Inner Flue Blanking Plate	GZ1320		1
43	Aeration Plate - ID letter K	GZ3869		1
44	Rear Firebox Bracket LH	GZ8712		1
45	LH Panel Assembly	GZ9654		1
46	Embaglow Steel Fibre	GZ8471		1

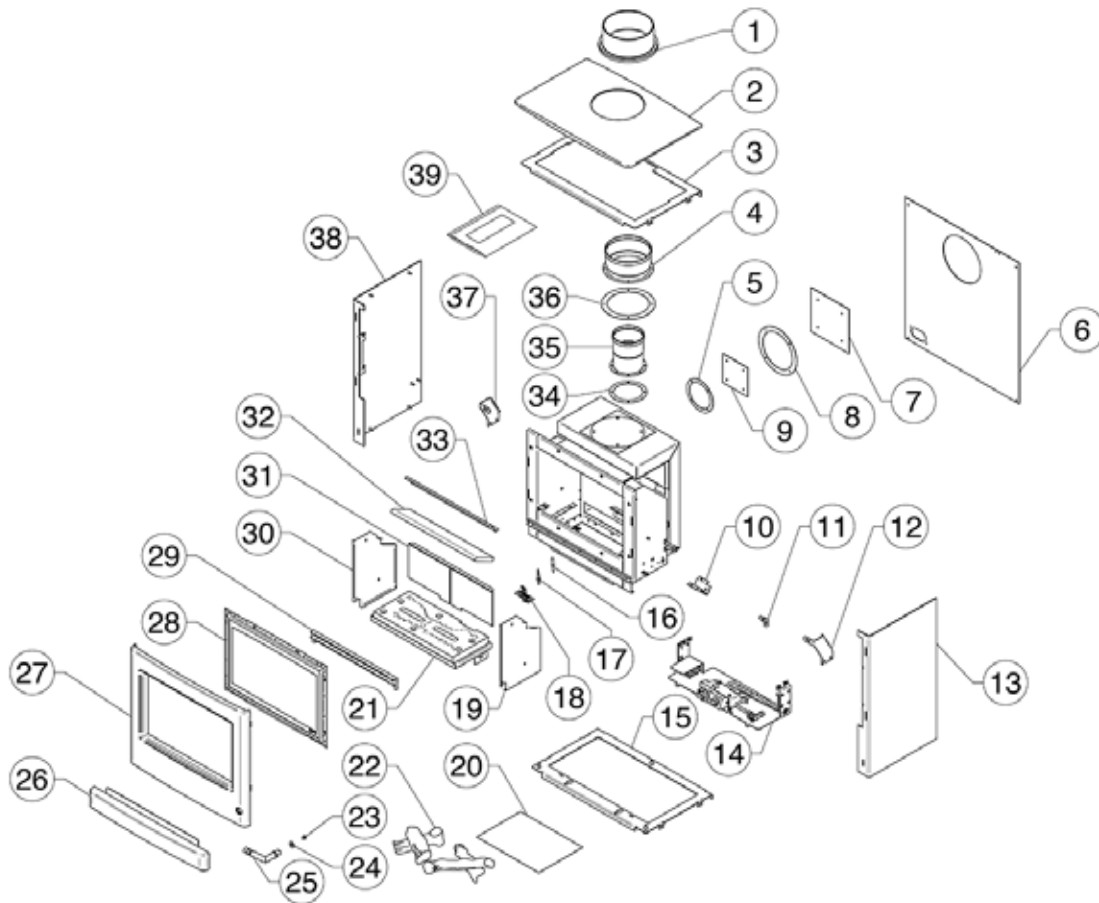


Due to continual technical improvements please check online or with your Yeoman retailer for the most up to date parts lists.

Only use Genuine Yeoman spares when servicing your appliance.
All of our essential spare parts and consumable items are available to purchase from our webshop at www.yeomanspares.com.

Servicing Instructions - Replacing Parts

15. Spare Parts List - CL8 Top Exit



No.	Component	Part Code		
		Natural Gas	LPG	Quantity
1	Cast Flue Collar	CA0727		1
2	Top Cast Panel	CA0734		1
3	Top Plate	GZ10907		1
4	Outer Spigot	MEC0232		1
5	Inner Spigot Gasket	CE0210		1
6	Rear Panel	ME10926		1
7	Outer Box Blanking Plate	GZ1321		1
8	Outer Spigot Gasket	CE0211		1
9	Inner Box Blanking Plate	GZ1320		1
10	Aeration	GZ11217	GZ10411	1
11	Injector	IN0028	IN0040	1
12	Rear RH Firebox Bracket	GZ10913		1
13	RH Panel Assembly	GZ10904		1
14	Control Assembly	GZ12260		1
15	Base Plate	GZ10905		1
16	Electrode	PI0075		1
17	Thermocouple	PI0074		1
18	Pilot	PI0069	PI0070	1
19	RH Reflective Panel	GZ11015		1
20	Instruction Manual	PR2031		1

No.	Component	Part Code		
		Natural Gas	LPG	Quantity
21	Burner Assembly	GZ11001		1
22	Log Set	CE1304		1
23	M6 x 16 CSK Pozzi Screw	FA0053		1
24	M8 Washer	C92240		1
25	Door Handle	GZ9424		1
26	Cast Plinth Assembly	GZ11063		1
27	Cast Door Assembly	GZ11062		1
28	Glass & Frame Assembly	GZ11045		1
29	Log Retainer	CA0765		1
30	LH Reflective Panel	GZ11014		1
31	Rear Liner Panel	CE1311		1
32	Top Liner Panel	CE1312		1
33	Top Baffle	GZ11544		1
34	Inner Spigot Gasket	CE0210		1
35	Inner Spigot	MEC0231		1
36	Outer Spigot Gasket	CE0211		1
37	Rear LH Firebox Bracket	GZ10912		1
38	LH Panel Assembly	GZ10903		1
39	Embaglow Steel Fibre	GZ8471		1



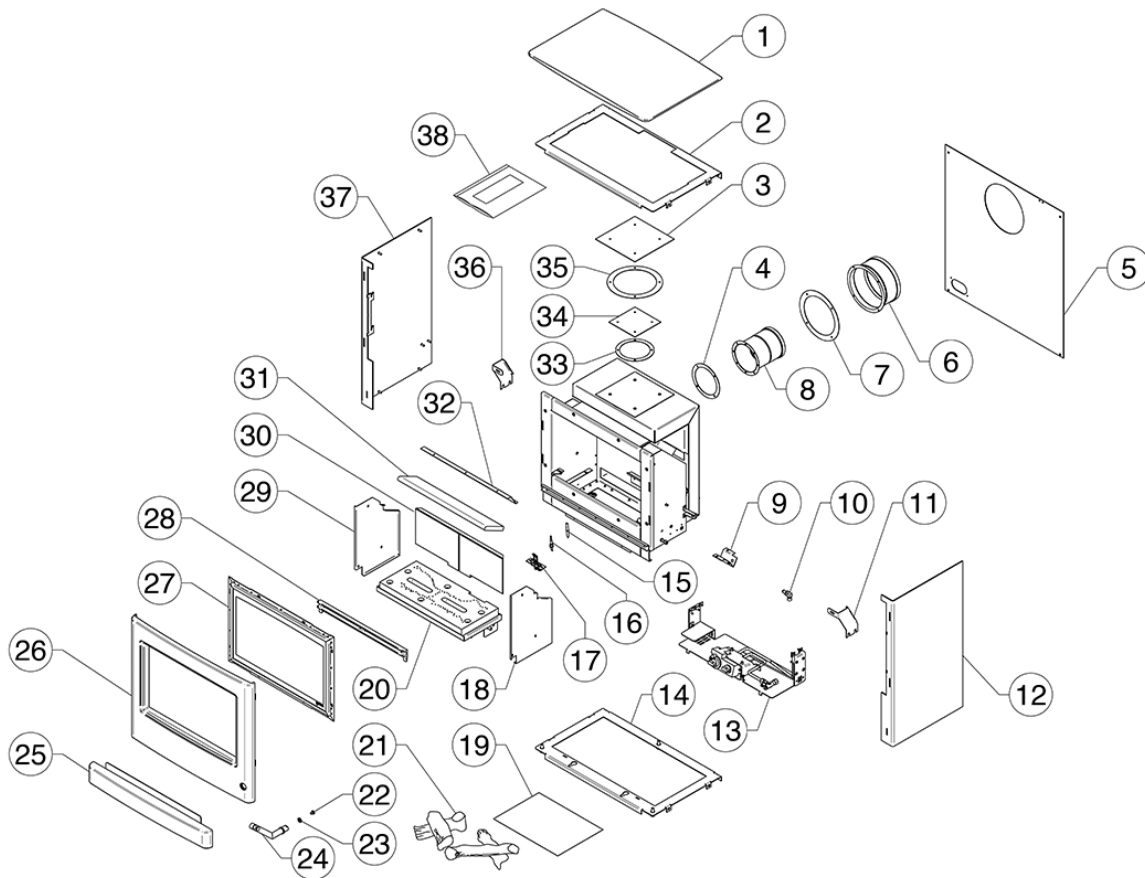
Due to continual technical improvements please check online or with your Yeoman retailer for the most up to date parts lists.

Only use Genuine Yeoman spares when servicing your appliance.

All of our essential spare parts and consumable items are available to purchase from our webshop at www.yeomanspares.com.

Servicing Instructions - Replacing Parts

15. Spare Parts List - CL8 Rear Exit



No.	Component	Part Code		
		Natural Gas	LPG	Quantity
1	Top Cast Panel	CA0745		1
2	Top Plate	GZ10907		1
3	Outer Box Blanking Plate	GZ1321		1
4	Inner Spigot Gasket	CE0210		1
5	Rear Panel	ME10926		1
6	Outer Spigot	MEC0232		1
7	Outer Spigot Gasket	CE0211		1
8	Inner Spigot	MEC0231		1
9	Aeration Plate	GZ11217	GZ10411	1
10	Injector	IN0028	IN0040	1
11	Rear RH Firebox Bracket	GZ10913		1
12	RH Panel Assembly	GZ10904		1
13	Control Assembly	GZ12260		1
14	Base Plate	GZ10905		1
15	Electrode	PI0075		1
16	Thermocouple	PI0074		1
17	Pilot	PI0070	PI0069	1
18	RH Reflective Panel	GZ11015		1
19	Instruction Manual	PR2031		1

No.	Component	Part Code		
		Natural Gas	LPG	Quantity
20	Burner Assembly	GZ11001		1
21	Log Set	CE1304		1
22	M6 x 16 CSK Pozzi Screw	FA0053		1
23	M8 Washer	C92240		1
24	Door Handle	GZ9424		1
25	Cast Plinth Assembly	GZ11063		1
26	Cast Door Assembly	GZ11062		1
27	Glass & Frame Assembly	GZ11045		1
28	Log Retainer	CA0765		1
29	LH Reflective Panel	GZ11014		1
30	Rear Liner Panel	CE1311		1
31	Top Liner Panel	CE1312		1
32	Top Baffle	GZ11544		1
33	Inner Spigot Gasket	CE0210		1
34	Inner Box Blanking Plate	GZ1320		1
35	Outer Spigot Gasket	CE0211		1
36	Rear LH Firebox Bracket	GZ10912		1
37	LH Panel Assembly	GZ10903		1
38	Embaglow Steel Fibre	GZ8471		1



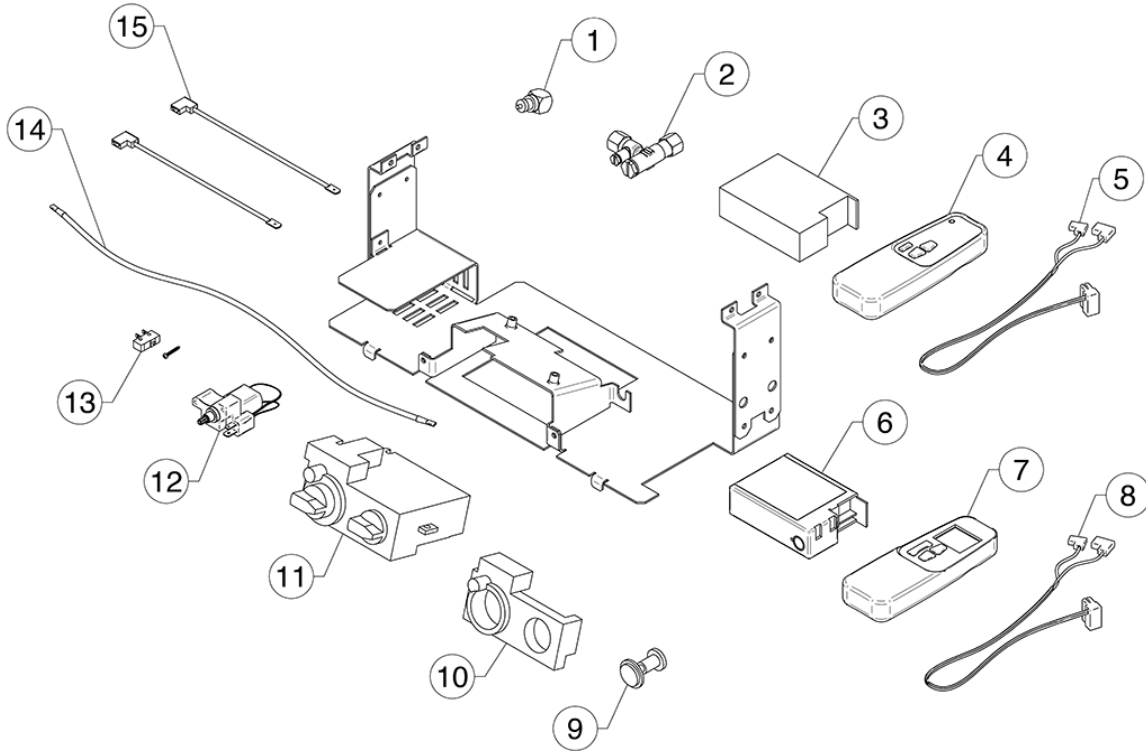
Due to continual technical improvements please check online or with your Yeoman retailer for the most up to date parts lists.

Only use Genuine Yeoman spares when servicing your appliance.

All of our essential spare parts and consumable items are available to purchase from our webshop at www.yeomanspares.com.

Servicing Instructions - Replacing Parts

15. Spare Parts List - Control Assembly



No.	Component	Part Code	Quantity
1	Interrupter Block	GC0026	1
2	Inlet Isolation Valve	GC0095	1
3	Standard Receiver	EL0235	1
4	Standard Handset	EL0239	1
5	Standard Receiver Cable	EL0237	1
6	Thermostatic Receiver	EL0236	1
7	Thermostatic Handset	EL0240	1
8	Thermostatic Receiver Cable	EL0238	1
9	Mag. Unit	GC0166	1
10	Control Valve Cover	GC0087	1
11	Control Valve	GC0088K	1
12	Geared Motor	EL0234	1
13	Micro Switch & Screw	EL0241	1
14	Ignition Lead	GC0090	1
15	Flue Sensor Lead	EL0064	2



Due to continual technical improvements please check online or with your Yeoman retailer for the most up to date parts lists.

Only use Genuine Yeoman spares when servicing your appliance.
All of our essential spare parts and consumable items are available to purchase from our webshop at www.yeomanspares.com.

Service Records

1ST SERVICE

Date of Service
Next Service Due
Signed
Retailer's Stamp/GasSafe Registration Number

2ND SERVICE

Date of Service
Next Service Due
Signed
Retailer's Stamp/GasSafe Registration Number

3RD SERVICE

Date of Service
Next Service Due
Signed
Retailer's Stamp/GasSafe Registration Number

4TH SERVICE

Date of Service
Next Service Due
Signed
Retailer's Stamp/GasSafe Registration Number

5TH SERVICE

Date of Service
Next Service Due
Signed
Retailer's Stamp/GasSafe Registration Number

6TH SERVICE

Date of Service
Next Service Due
Signed
Retailer's Stamp/GasSafe Registration Number

7TH SERVICE

Date of Service
Next Service Due
Signed
Retailer's Stamp/GasSafe Registration Number

8TH SERVICE

Date of Service
Next Due
Signed
Retailer's Stamp/GasSafe Registration Number

9TH SERVICE

Date of Service
Next Service Due
Signed
Retailer's Stamp/GasSafe Registration Number

10TH SERVICE

Date of Service
Next Service Due
Signed
Retailer's Stamp/GasSafe Registration Number

Information Requirement - Gas Heaters

Information Requirement for Gaseous Fuel Local Space Heater

Model	CL3 Nat Gas	CL3 LPG	CL5 Nat Gas	CL5 LPG	CL8 Nat Gas	CL8 LPG
Fuel	Space Heating Emissions (NOx) - mg / kWh _{input} (GCV)					
	130	130	130	130	130	130

Heat Output	Nominal Heat Output - P_{nom}	2.5kW	2.4kW	3.7kW	3.8kW	5.4kW	5.5kW
	Minimum Heat Output (indicative) - P_{min}	1.3kW	1.3kW	2.1kW	2.1kW	2.8kW	2.7kW

Auxiliary Electricity Consumption	At Nominal Heat Output - $e_{l,max}$	N/A	N/A	N/A	N/A	N/A	N/A
	At Minimum Heat Output - $e_{l,min}$	N/A	N/A	N/A	N/A	N/A	N/A
	In Standby Mode - $e_{l,SB}$	N/A	N/A	N/A	N/A	N/A	N/A

Useful Efficiency	Useful Efficiency at nominal heat output - $\eta_{th,nom}$	85.1%	85.1%	95.4%	95.4%	90.8%	90.8%
	Useful Efficiency at minimum heat output (indicative) - $\eta_{th,min}$	72.0%	72.0%	93.7%	93.7%	80.0%	80.0%

Permanent Pilot Flame Power requirement	Permanent Pilot Flame Power requirement (if applicable) - P_{pilot}	0.200kW	0.200kW	0.200kW	0.200kW	0.200kW	0.200kW
--	---	---------	---------	---------	---------	---------	---------

Type of heat output/room temperature control

Electronic room temperature control + day timer	Yes	Yes	Yes	Yes	Yes	Yes
---	-----	-----	-----	-----	-----	-----

Other control options (multiple selections possible)

Room temperature control, with presence detection	No	No	No	No	No	No
Room temperature control, with open window detection	No	No	No	No	No	No
With distance control option	No	No	No	No	No	No
With adaptive start control	No	No	No	No	No	No
With working time limitation	No	No	No	No	No	No
With black bulb sensor	No	No	No	No	No	No

Energy Efficiency Index	77.0%	77.0%	88.7%	88.8%	84.9%	85.0%
Energy Efficiency Class	C*	C*	A*	A*	B*	B*

*When used with optional Thermostatic Control

Contact:	Gazco Ltd, Osprey Road, Sowton Industrial Estate, Exeter, EX2 7JG
-----------------	---



Yeoman Limited, Osprey Road, Sowton Industrial Estate, Exeter, Devon, England EX2 7JG
Technical Customer Services: (01392) 261950 Fax: (01392) 261951
E-mail: yeoman@gazco.com

A member of the Stovax Group
E & O E