
portway

S T O V E S

No.1

Gas Stove

BALANCED FLUE LOG EFFECT STOVE

Installation, Maintenance & User Instructions

Hand these instructions to the user

Model No. PBFLRN is for use on Natural Gas (G20) at a supply pressure of 20 mbar in G.B. / I.E.**

**** denotes cosmetic variance**

CONTENTS

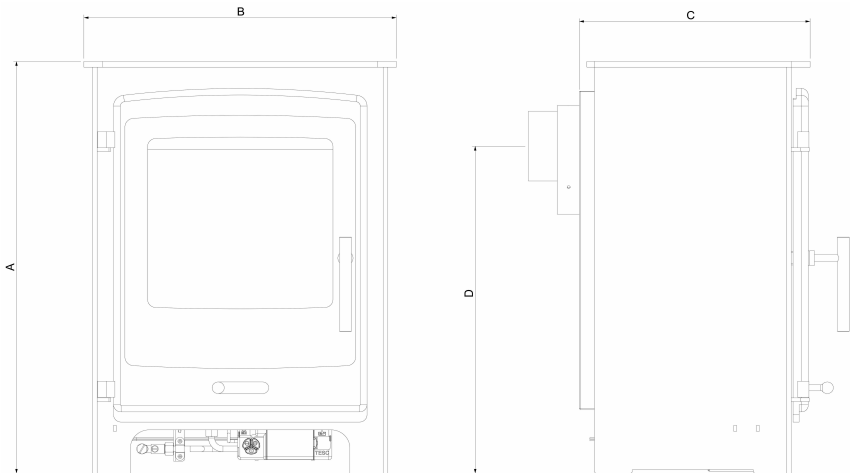
		PAGE
Section 1	Information and Requirements	
1.0	Appliance Information	3
1.1	Conditions of Installation	4
1.2	Fireplace / surround suitability	4
1.3	Flue terminal position	5
1.4	Clearance to combustible and non-combustible surfaces	6
1.5	Hearths	7
Section 2	Installation of Stove	
2.1	Unpacking the stove	6
2.2	Securing the stove	6
2.3	Fireplace opening and flue duct length	7-8
2.4	Preparation of the wall	9
2.5	Preparation of the flue hole	9
2.6	Installing the gas supply	10
2.7	Preparation of the flue duct / fitting the terminal guard	11
2.8	Making the gas connection / pressure testing	12
2.9	Fitting the batteries	13
2.10	Removing the glass panel	14
Section 3	Assembling Fuel Bed and Commissioning	
3.1	Fitting the log fuel bed	15-18
3.2	Lighting the stove manually	19
3.3	Setting the time, date and temperature on the remote handset	20-22
3.4	Lighting the stove via the remote handset	23-26
3.5	Advanced settings of the remote control	26-30
3.6	Fitting the cover plate	30
Section 4	Maintenance	
4.1	Removal of the burner assembly	31-32
4.2	Removal of the gas control valve	32-33
4.3	Removal of the pilot	33
4.4	Parts shortlist	34
Section 5	User Instructions	
5.1	Installation Information	35
5.2	About the Portway gas stove	36
5.3	Operating your stove	37-40
5.4	Manual operation of the stove	41-42
5.5	Replacing the batteries	42
5.6	Setting the time, date and temperature on the remote handset	43-46
5.7	Advanced settings of the remote control	47-50
5.8	Turning the product off in the event remote handset malfunction	51
5.9	Removal / replacing the glass assembly	52
5.10	Removal / replacing the log fuel-bed	53-56
5.11	User replaceable parts / trouble shooting chart	56-57

SECTION 1 INFORMATION AND REQUIREMENTS

1.0 APPLIANCE INFORMATION

Main injectors : (2 off)	Size 130
Pilot Type	SIT 140 Series
Max. Gross Heat Input :	4.5kW
Min. Gross Heat Input :	3.0kW
Gas Rate :	0.421 m ³ /hr
Cold Pressure :	20.0+/-1.0 mbar
Ignition :	4.5v battery / electronic ignition
Electrode Spark Gap :	4.0mm
Packed weight (without fender) :	65kg

Fig 1



Height (A) = 568mm
Width (B) = 413mm
Depth (C) = 305mm
Height to Centre of Flue Duct (D) = 450mm

Please Note : An optional flue duct extension is available to increase the flue duct length to 830mm.
Please quote part number CV-MARLT

INSTALLATION REQUIREMENTS

Efficiency Declaration

The efficiency of this appliance has been measured as specified in BS EN 613 : 2001 and the result is 84.2%. The gross calorific value of the fuel has been used for this efficiency calculation.

The test data from which it has been calculated has been certified by BSI Testing Services.

The efficiency value may be used in the UK Government's Standard Assessment Procedure (SAP) for energy rating of dwellings.

1.1 CONDITIONS OF INSTALLATION

It is the law that all gas appliances are installed only by a GAS SAFE Registered Installer, in accordance with these installation instructions and the Gas Safety (Installation and Use) Regulations 1998 as amended. Failure to install appliances correctly could lead to prosecution. It is in your own interest and that of safety to comply with the law.

The installation must also be in accordance with all relevant parts of the Local and National Building Regulations where appropriate, the Building Regulations (Scotland Consolidation) issued by the Scottish Development Department, and all applicable requirements of the following British Standard Code of Practice.

1. B.S. 5871 Part 1 Installation of Gas Fires
2. B.S. 6891 Installation of Gas Pipework
3. B.S. 5440 Parts 1 & 2 Installation of Flues and Ventilation
4. I.S 813 : 1996 Domestic Gas Installation, issued by the National Standards Authority of Ireland.

BEFORE INSTALLATION ENSURE THAT THE LOCAL DISTRIBUTION CONDITIONS (IDENTIFICATION OF THE TYPE OF GAS AND PRESSURE) AND THE ADJUSTMENT OF THE APPLIANCE ARE COMPATIBLE.

This stove is a heating appliance, therefore all external surfaces of the product are classified as a working surface and will become hot during use of the stove.

1.2 FIREPLACE / SURROUND SUITABILITY

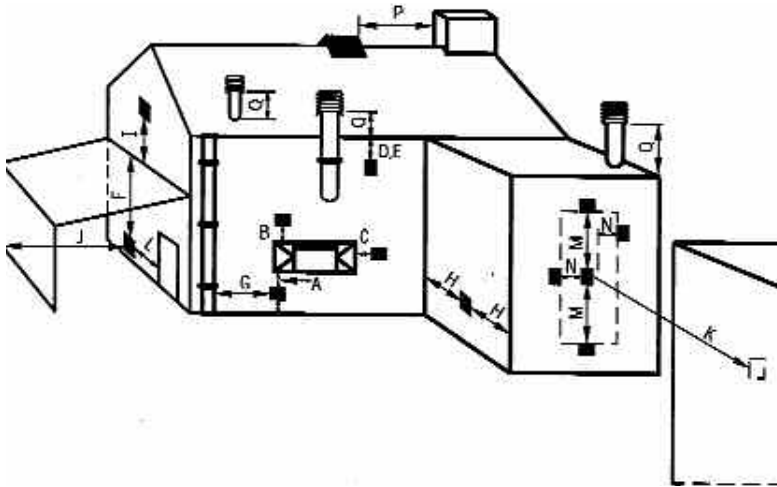
The stove must not be installed directly onto carpet or other combustible floor materials.

If a heating appliance is fitted directly against a wall combustible material must be removed from behind it. Soft wall coverings such as blown vinyl, wall paper etc. could be affected by the rising hot air and scorching and/or discoloration may result. Due consideration should be made to this when installing or decorating.

1.3 FLUE TERMINAL POSITION

The minimum acceptable dimensions from the flue terminal to obstructions and ventilation openings are shown below and listed in the table. It is important that the position of the flue allows the free passage of air across it at all times. The minimum acceptable space from the flue terminal to obstructions and ventilation openings are specified below (figure 2).

Fig. 2



DIMENSION	TERMINAL POSITION	MINIMUM DIMENSION
A	Directly below an opening, air brick, opening window	300mm (12in)
B	Above an opening, air brick, opening window	300mm (12in)
C	Horizontally to an opening, air brick, opening window etc.	300mm (12in)
D	Below gutters, soil pipes or drain pipes	300mm (12in)
E	Below eaves	300mm (12in)
F	Below balconies or car port roof	600mm (12in)
G	From a vertical drain pipe or soil pipe	300mm (12in)
H	From an internal or external corner	600mm (24in)
I	Above ground roof or balcony level	300mm (12in)
J	From a surface facing the terminal	600mm (24in)
K	From a terminal facing the terminal	600mm (24in)
L	From an opening in the car port	1200m (48in)
M	Vertically from a terminal on the same wall	1500mm(59in)
N	Horizontally from a terminal on the same Wall	300mm (12in)
O	NOT APPLICABLE	N/A
P	NOT APPLICABLE	N/A
Q	NOT APPLICABLE	N/A

1.4 CLEARANCES TO COMBUSTIBLE AND NON-COMBUSTIBLE SURFACES

This stove must not be fitted below combustible shelf materials that are less than 225mm in height from the top of the stove and must not project more than 150mm forwards. There must be a minimum distance of 300mm to any combustible side or rear surface. The minimum clearance to non combustible materials at the sides are 50mm and the rear 10mm.

1.5 HEARTHES

This stove must be fitted onto a non-combustible hearth of minimum thickness 12mm that projects a minimum of 50mm from the stove in all directions.

SECTION 2 INSTALLATION OF STOVE

2.1 UNPACKING THE STOVE

Carefully remove the stove from it's packaging taking care not to damage the gas controls located beneath the stove. Remove the loose items pack. Remove the loose item packaging carefully from the the pack. Check the contents as listed :- **DO NOT UNDER ANY CIRCUMSTANCES USE THIS APPLIANCE IF THE GLASS PANEL IS BROKEN OR NOT SECURELY FIXED TO THE DOOR ASSEMBLY.**

Packing Check List

- 1 off Stove body, burner assembly and controls.
- 1 off Boxed ceramic 4 piece log fuel-bed set, bark & front rail
- 1 off Installation / user manual (combined)
- 1 off Guarantee card
- 1 off Wall plate
- 1 off Flue terminal / pipe unit
- 1 off Flue terminal guard

Loose Items

- 5 off AA batteries (3 off for valve, 2 off for handset)
- 1 off Remote handset
- 1 off 500mm length of foil tape
- 4 off No.12 x 40mm screws
- 4 off Fibre wall plugs
- 3 off No.8 x 3/8" screws
- 1 off Cover plate
- 2 off 3mm magnets (to secure cover plate)

2.2 SECURING THE STOVE

Due to the weight of the appliance it does not require additional fixing.

2.3 FIRE PLACE OPENING / FLUE DUCT LENGTH

2.3.1 The front opening of the fire place must be a minimum of 620mm in height, 515mm in width and 315mm in depth (excluding door handle) and made of non combustible materials.

Fig. 3

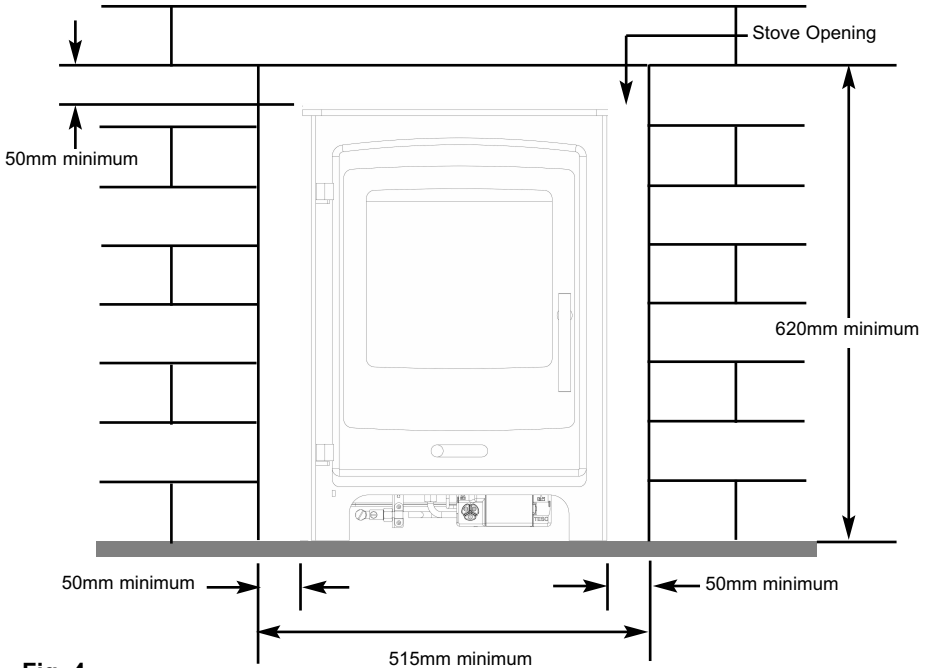
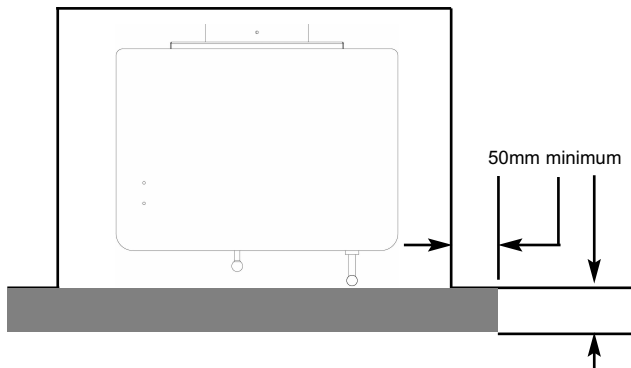
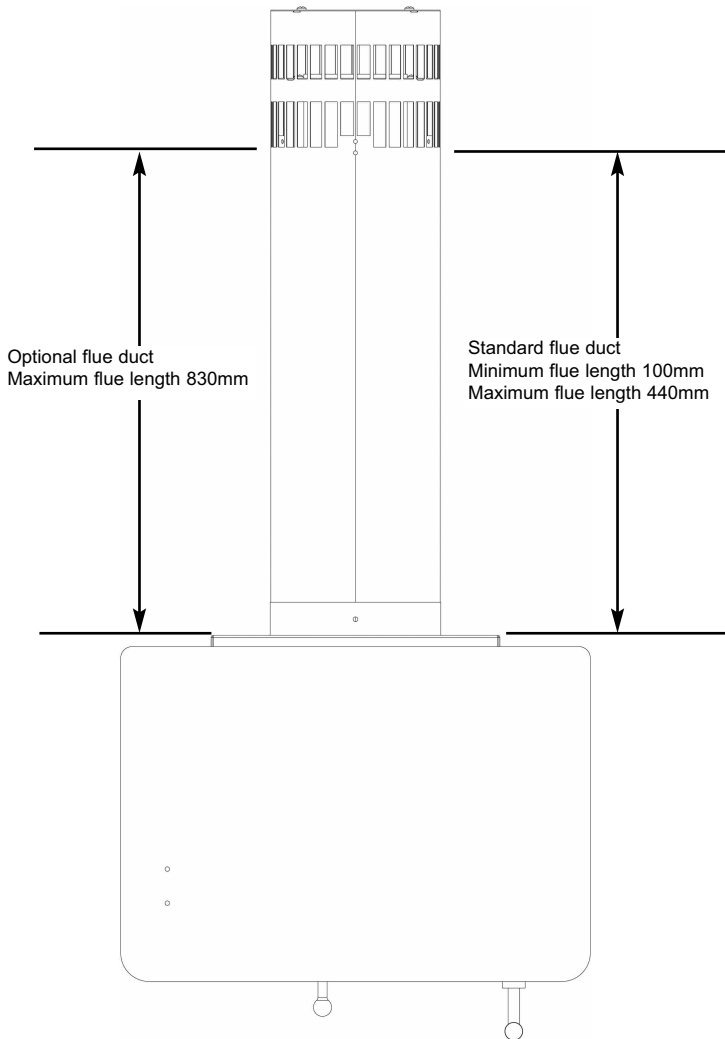


Fig. 4



2.3.2 The minimum / maximum sized distances between the stove mounting flange and external wall face are shown below in figure 5.

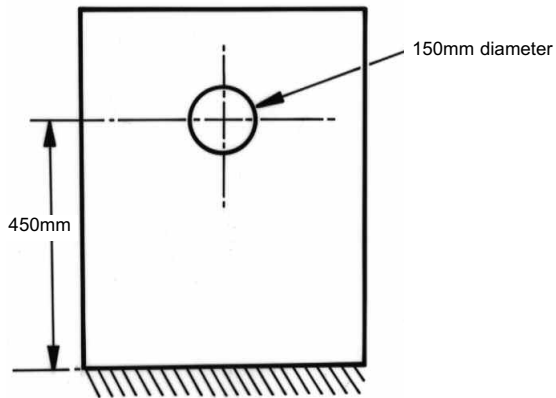
Fig. 5



2.4 PREPARATION OF THE WALL

- 2.4.1 The appliance and flue pipes must be installed at right angles to the mounting wall. The appliance itself should be installed vertically against a flat wall. Where an uneven wall surface is found, appropriate action should be taken to ensure that the appliance is not stressed or does not distort when installed.
- 2.4.2 Ensure that the floor surface onto which the appliance is mounted onto is flat. The minimum height from the floor to the centre of the flue is shown on figure 6 below.

Fig. 6



2.5 PREPARATION OF THE FLUE HOLE

- 2.5.1 Mark the position of the centre of the flue on the inner wall.
- 2.5.2 Cut hole for outer flue pipe. There are two possible methods to achieve this, either core drill or via hammer and chisel.
- 2.5.3 To core drill, proceed as follows :-
- Drill a pilot hole through the wall, in position as specified in figure 6.
- Using a 6" core drill, drill the flue hole.
- To Hammer and chisel, proceed as follows :-
- Mark the position of the centre of the flue pipe as specified in figure 6.
- Mark the position of the hole around this point.

2.6 INSTALLATION OF THE GAS SUPPLY

2.6.1 Before installing the firebox, decide from which side or if a rear connection to the gas supply is required. Plan the pipe run to enter the firebox from the left, right or rear and connect to the inlet elbow. See below :-

2.6.2 If concealed pipe work is required plan the pipe run to enter the opening in the rear of the opening and connect to the inlet elbow. See figure 7 & 8 below for a suggested concealed pipe layout.

Fig. 7

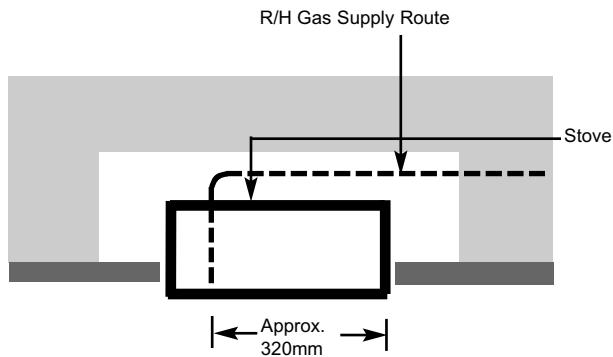
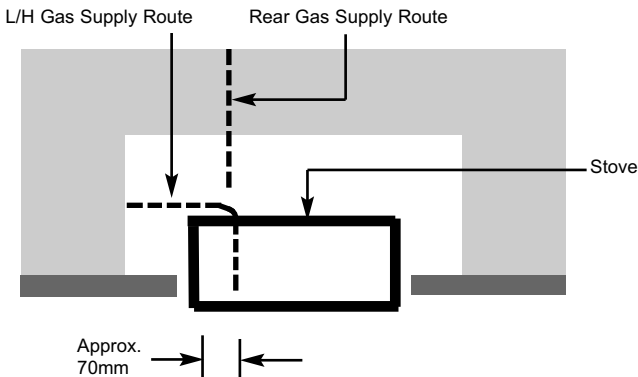


Fig. 8



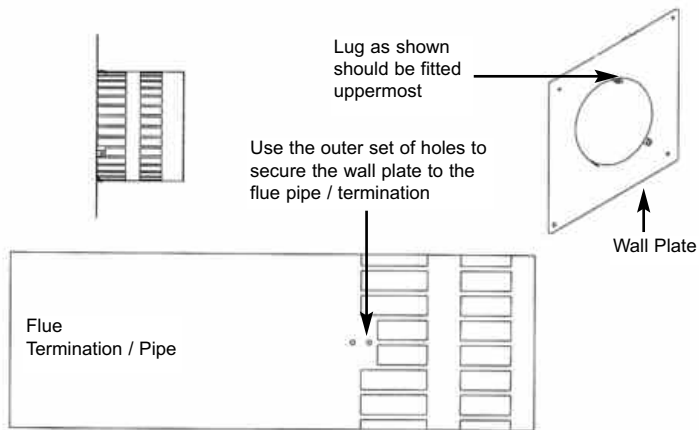
2.7 PREPARATION OF THE FLUE DUCT / FITTING TERMINAL GUARD

- 2.7.1 Place the stove into the opening correctly in the final fitted position. From the outside of the house measure from the face of the outside wall to the rear panel of the stove through the flue hole. Cut the flue duct to this size.

IMPORTANT : ENSURE THE PIPES ARE CUT SQUARELY.

- 2.7.2 The joint between the stove and the flue duct as shown below in figure 9 must be secured with screws and sealed with the foil tape as supplied. In order to do this, the wall plate must be removed from the flue pipe / termination.

Fig. 9



- 2.7.3 Due to the varying lengths of flue that will be required via differing installations it will be necessary to drill the flue pipe using the 3 off holes in the mounting flange on the rear of the combustion chamber as a guide for positioning. When the holes have been drilled and the screws fitted, wrap the joint with the foil tape supplied.
- 2.7.4 Re-fit the wall plate ensuring the outer set of holes as indicated above in figure 9 are used. Use a high temperature sealant to secure the wall plate to the outside wall of the property before securing with the screws and rawlplugs supplied to ensure a mechanical fix.

2.7 (CONTINUED) FITTING THE TERMINAL GUARD

- 2.7.5 With the flue terminal in position, place the terminal guard over the top of the flue terminal and mark the position of the holes on the outer wall.
- 2.7.6 Remove the terminal guard and drill the 4 off 6 mm holes.
- 2.7.7 Insert the raw plugs into the drilled holes, replace the terminal guard over the top of the flue terminal and attach to the wall using the No.12 x 40mm screws provided with the terminal guard.

NOTE : In England & Wales, building regulations require that a terminal guard should be fitted if the terminal could come into contact with people near the building or be subject to damage. BFM Europe Ltd. also recommend the fitting of a flue terminal guard where regulations do not demand that it be fitted. A suitable flue terminal guard is supplied with the appliance.

2.8 MAKING THE GAS CONNECTION / PRESSURE TESTING

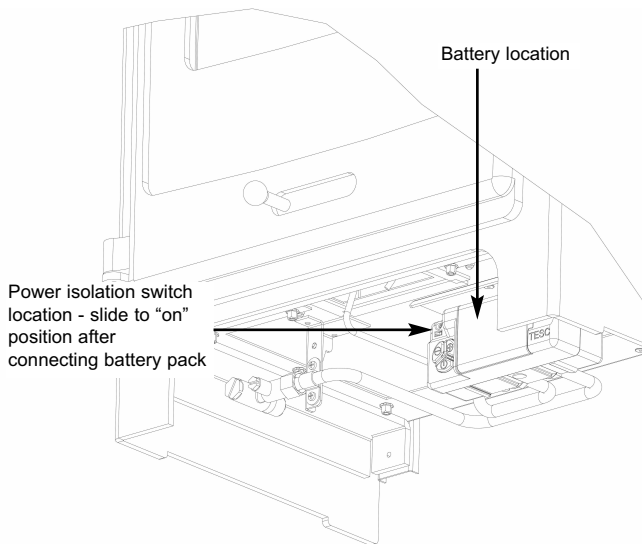
THIS APPLIANCE IS INTENDED FOR USE ON A GAS SUPPLY WITH A GOVERNED METER.

- 2.8.1 The gas connection should be made to the appliance inlet elbow to using 8mm rigid tubing.
- 2.8.2 Remove the pressure test point screw from the inlet elbow and fit a manometer.
- 2.8.3 Fit the batteries as per section 2.9, turn on the main gas supply and carry out a gas tightness test. Light the fire (see section 3.2 for instructions).
- 2.8.4 Check that the gas pressure is **20.0 mbar (+/- 1.0mbar) 8.0 in w.g.(+/- 0.4 in w.g.)**. Turn off the stove, remove the manometer and refit the pressure test point screw. Check the pressure test point screw for gas tightness with the appliance turned on using a suitable leak detection fluid or detector.

2.9 FITTING THE BATTERIES

- 2.9.1 To prevent un-necessary battery drain, the battery are supplied in the loose items pack.
- 2.9.2 Locate the batteries and fit to the valve by clipping off the cover on the valve in the position as shown below in figure 10.

Fig. 10

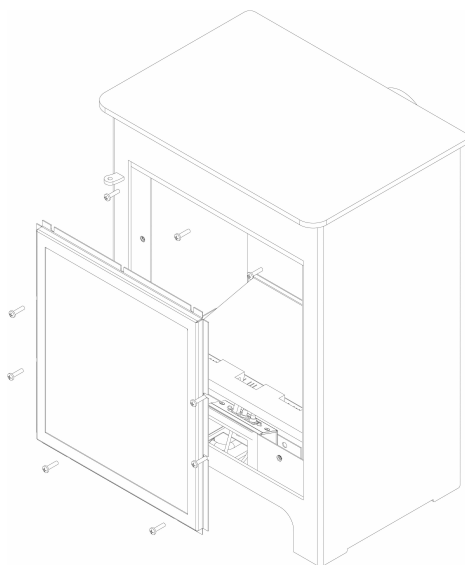


- 2.9.3 Fit 2 off AA batteries to the handset by unclipping the rear cover, fitting the batteries then replacing the rear cover. Switch the white power isolation switch to the "on" position on the valve after fitting the battery pack.

2.10 REMOVING / REPLACING THE GLASS ASSEMBLY

- 2.10.1 To remove the glass assembly from the stove firstly open the door fully.
- 2.10.2 The glass assembly is secured by 9 off M5 screws as shown below in figure 11.
- 2.10.3 Use a screwdriver to remove the 9 off M5 screws then lift the glass assembly clear.

Fig. 11



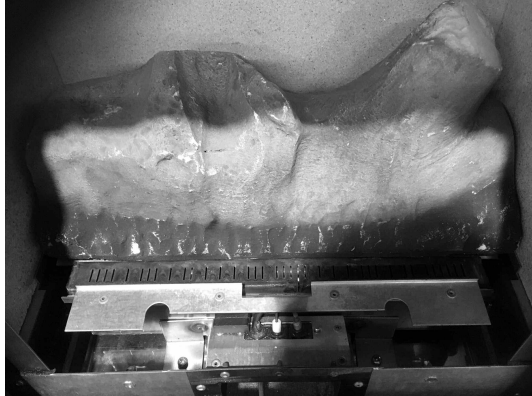
- 2.10.4 Re-assemble in reverse order.

DO NOT UNDER ANY CIRCUMSTANCES USE THIS APPLIANCE IF THE GLASS PANEL IS BROKEN OR NOT SECURELY FIXED TO THE DOOR ASSEMBLY.

3.1 ASSEMBLING THE LOG FUEL BED

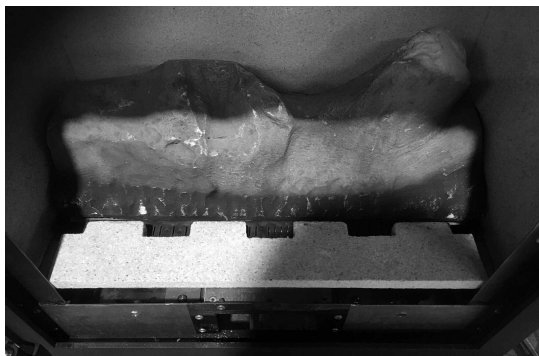
- 3.1.1 Place the ceramic base log on top of the fuelbed support and pull fully forwards to the burner. **Make sure that the ceramic log base is positioned centrally in the stove. Ensure that the fuelbed base fits fully down onto the fuel bed support and is not lodged on the burner. See figure 12 below.**

Fig. 12



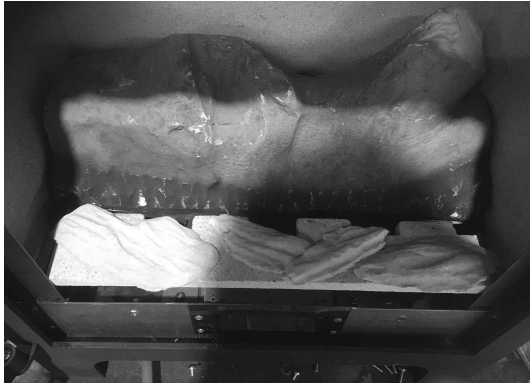
- 3.1.2 Place the vermiculite front log support onto the burner front rail as shown below in figure 13.

Fig. 13



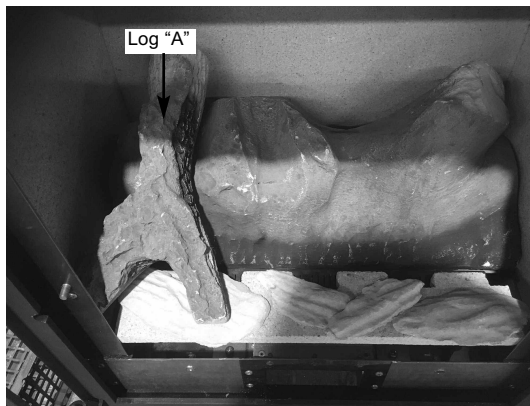
- 3.1.3 Place a single layer of bark onto the front log support as shown below in figure 14.

Fig. 14



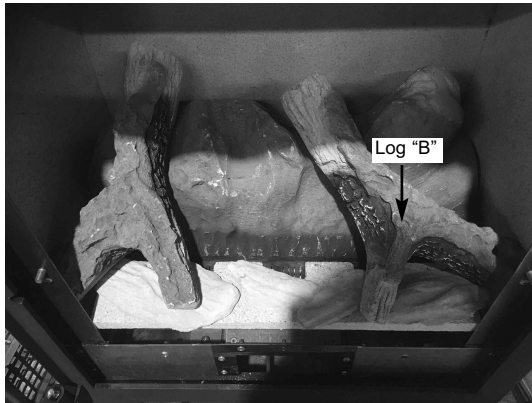
- 3.1.4 Place log "A" onto the left hand end of the base ceramic log as shown below in figure 15.

Fig. 15



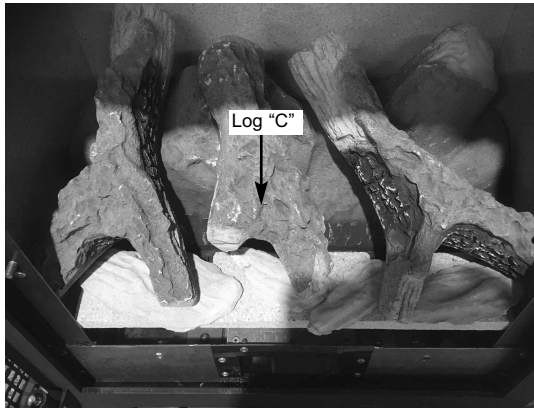
- 3.1.5 Place log "B" onto the base ceramic log at the right hand side as shown below in figure 16.

Fig. 16



- 3.1.6 Place log "C" onto the groove in the centre of the base ceramic log as shown below in figure 17.

Fig. 17



The exact position and fit of the logs may be finely adjusted to give the most pleasing and random appearance.

Warning : Use only the logs supplied with the stove. When replacing the logs remove the old logs and discard them. Fit a complete set of logs of the correct type. Do not fit additional logs or any logs other than a genuine replacement set.

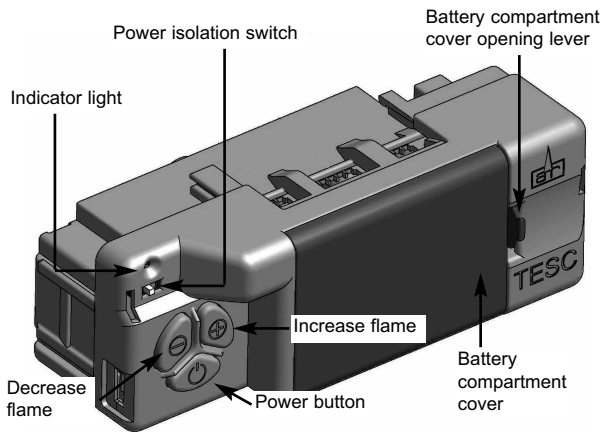
This appliance uses fuel effect pieces containing Refractory Ceramic Fibres (R.C.F.), which are man-made vitreous silicate fibres. Excessive exposure to these materials may cause temporary irritation to eyes, skin and respiratory tract. Consequently, it makes sense to take care when handling these articles to ensure that the release of dust is kept to a minimum. To ensure that the release of fibres from these R.C.F. articles is kept to a minimum, during installation & servicing we recommend that you use a HEPA filtered vacuum to remove any dust and soot accumulated in and around the fire, before and after working on the fire. When replacing these articles we recommend that the replaced items are not broken up, but are sealed within a heavy duty polythene bag, clearly labelled as "RCF waste". This is not classified as "hazardous waste" and may be disposed of at a tipping site licensed for the disposal of industrial waste. Protective clothing is not required when handling these articles, but we do recommend you follow the normal hygiene rules of not smoking, eating or drinking in the work area, and always wash your hands before eating or drinking. This appliance does not contain any component manufactured from asbestos or asbestos related products.

3.2 LIGHTING THE STOVE MANUALLY VIA THE CONTROL VALVE

3.2.1 These products can be operated manually by using the buttons directly on the stove control in addition to the handset (should the need arise).

3.2.2 To operate the stove press and hold the “power” button as shown below in figure 18 for two seconds, release as soon as the red indicator light shown in figure 18 illuminates. The burner will then start its ignition sequence and light to the maximum heat input level. **For most efficient performance leave the stove on high when lighting from cold for ten minutes. If the flames are extinguished for any reason do not attempt to light the appliance for at least 3 minutes.**

Fig. 18



3.2.3 To reduce the heat input, press and release the (-) button to lower the heat input level one step at a time. Pressing the (-) button continuously will move the heat input level to the minimum.

3.2.4 To increase the heat input level, press then release the (+) button to increase the heat input level one step at a time. Pressing the (+) button continuously will move the heat input level to the maximum.

3.2.5 To turn the stove off, press the power button and the burner will stop.

3.2.6 **If you are not intending to use the stove for a long period (i.e. over the summer months) the battery life can be extended by sliding the power isolator switch to the left (to the “0” position away from the “1” position) on the valve itself, which is located under the stove on the top left of the control valve.**

3.3 SETTING THE TIME, DATE & TEMPERATURE ON THE REMOTE HANDSET

- 3.3.1 Fit the 2 off AA batteries to the handset by removing the cover on the rear of the handset and inserting the batteries, ensure the correct +/- polarity is observed. Following insertion of the batteries the screen displayed will be as shown below in figure 19.

Fig. 19



- 3.3.2 Hold the handset with one hand ensuring your hand is wrapped around the back and that your hand is in contact with both sides of the handset. The green light of the “unlock” symbol should light and the screen displayed will be as shown overpage in figure 20.
- 3.3.3 The “H” symbol as indicated in figure 20 overpage indicates that the timer can now be set in either 24hr or 12hr mode. Press the + or - buttons on the handset to toggle between the two settings, figure 20 overpage displays the 24hr mode.

Fig. 20



3.3.4 When the 24hr or 12hr time display option has been chosen and you are ready to confirm the setting you want press the SET button on the handset to progress to setting the day of the week as shown overpage in figure 21.

3.3.5 Press and release the + and - buttons on the handset until the correct day of the week is shown on the handset display

- Mo = Monday
- Tu = Tuesday
- We = Wednesday
- Th = Thursday
- Fr = Friday
- Sa = Saturday
- Su = Sunday

3.5.6 Press SET to accept the day of the week and progress to setting the hour of the day.

Fig. 21



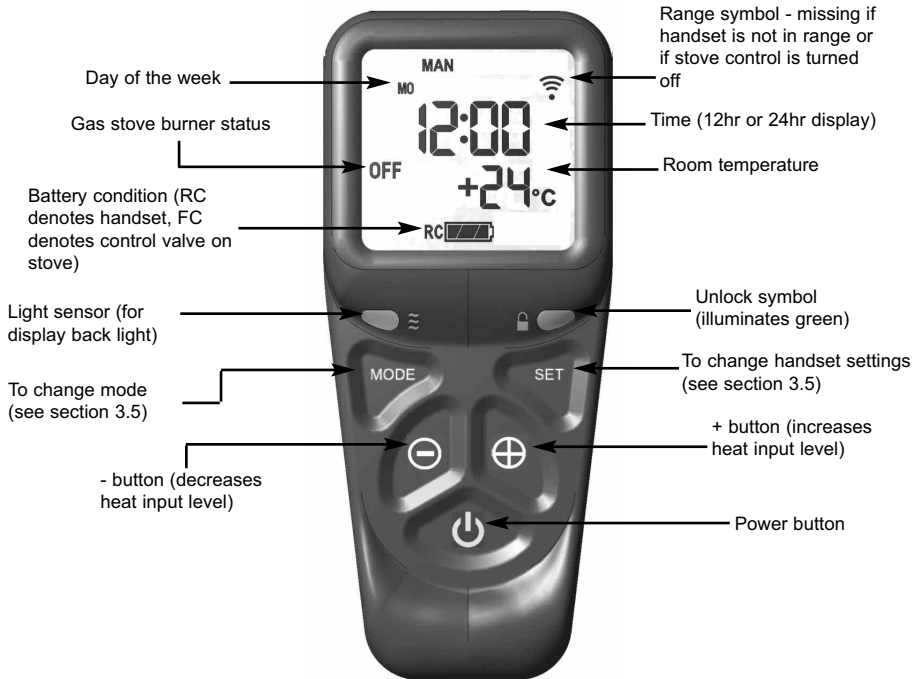
3.3.7 As shown above in figure 21 the time on the handset can now be set by using the + and - buttons to change the hour to the correct hour then press SET to store and to move to setting the minute. Repeat this process for setting the minute to the correct minute then press SET to store.

3.3.8 The handset will then display the temperature setting screen as shown overpage in figure 22, the option to choose either Celsius or Fahrenheit can be chosen, these settings are shown as either C or F. Use the + and - buttons to toggle between these two options then press SET to store. The important settings have now been completed so press and hold the SET button for a few seconds and this will exit the set-up menu.

3.4 LIGHTING THE STOVE VIA THE REMOTE CONTROL HANDSET

3.4.1 Ensure valve power isolation switch is in the on position - see figure 18 and that the time, date & temperature display settings as shown in section 3.3 have been completed. Hold the handset with one hand ensuring your hand is wrapped around the back and that your hand is in contact with both sides of the handset. The green light of the “unlock” symbol should light. See figure 22 below.

Fig. 22



3.4.2 Press and hold the power button continuously until the word “PILOT” appears at the bottom left of the display as shown overpage in figure 22, (this typically takes two seconds). The burner will now light at maximum heat input level and will display “MAX” in the bottom left hand side of the display as shown in figure 23 overpage.

NOTE : If the power button is pressed for too long or too short a time or the grip on the handset is not firm or is released too soon, the lighting sequence will be interrupted and not complete. The reason for the remote control having this strict start sequence is for safety reasons so that the starting operation of the stove will be most unlikely to be done other than intentionally by an adult.

Fig. 23 - "PILOT" displayed



"PILOT" displayed on handset during ignition sequence (typically takes two seconds)

Fig. 24 - "MAX" & large flame symbol displayed

"MAX FLAME" displayed on handset when burner is lit to maximum rate



3.4 LIGHTING THE STOVE VIA THE REMOTE HANDSET (CONTINUED)

3.4.3 To decrease the heat input level of the burner hold the handset as described in section 3.3.2 to unlock the keypad then press and release the - button. Pressing and releasing the - button will lower the heat input level one step at a time. Pressing the - button continuously will move the heat input level to the minimum, see figure 25 below.

Fig. 25



3.4.4 To increase the heat input level of the stove's burner hold the handset as described in section 3.3.2 to unlock the keypad then press and release the + button. Pressing and releasing the + button will increase the heat input level one step at a time. Pressing the + button continuously will move the heat input level to the maximum.

3.4.5 To turn the stove off hold the handset as described in section 3.3.2 to unlock the keypad then press and release the power button. The burner will go out.

3.4.6 **If you are not intending to use the stove for a long period (i.e. over the summer months) the battery life can be extended by sliding the power isolator switch to the left (to the “0” position away from the “1” position) on the valve itself, which is located under the stove on the top left of the control valve.**

3.4.7 **In the event of loss of the remote handset, as a backup the stove can be controlled from the valve, which is located below the stove, see section 3.2 for full manual operating instructions. If your stove does not operate manually please consult the troubleshooting chart on the rear page of this manual.**

3.4.8 If the handset is misplaced you can “page it” by pressing the (+) button only on the control valve on the stove for a period of 5 seconds. The handset will flash and make an audible noise to help you locate it. Once you find the handset with one hand ensure your hand is wrapped around the back and that your hand is in contact with both sides of the handset then the audible noise will cease. The flashing and sound will last for 60 seconds each time the handset is paged as described. If not found in 60 seconds page the handset again until located.

3.5 ADVANCED SETTINGS MENU OF THE REMOTE CONTROL

3.5.1 Snooze mode in manual operation

3.5.1.1 Snooze mode is a time period which can be set which will turn the stove automatically off after a certain time period has elapsed.

3.5.1.2 Hold the handset with one hand ensuring your hand is wrapped around the back and that your hand is in contact with both sides of the handset. The green light of the “unlock” symbol should light. The snooze time period can be set either before or during manual operation of the stove.

3.5.1.3 With the handset held as described above, press the mode button to scroll through the functions until the symbols MAN and Zzz are flashing at the top of the display as shown overpage in figure 26.

3.5.1.4 Press and release the set button and this will put the control into the manual snooze mode.

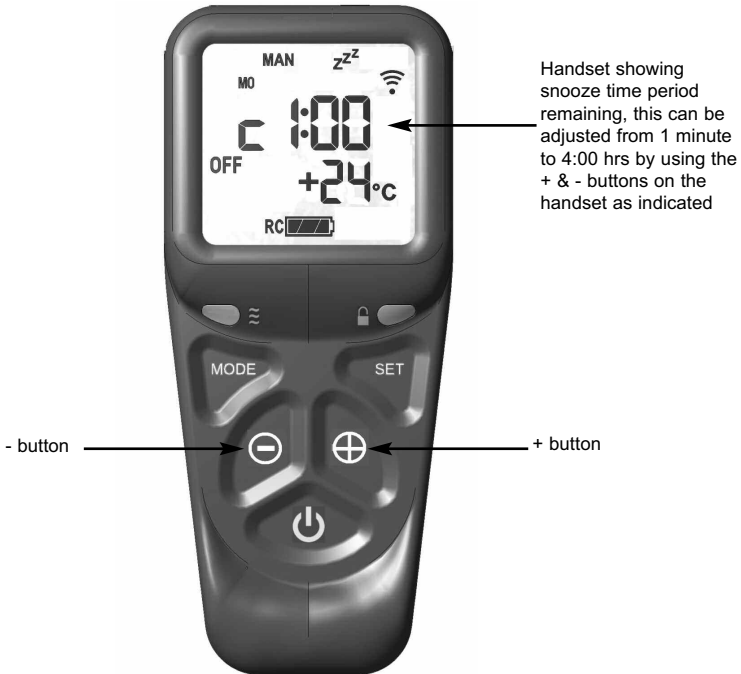
3.5.1.5 The default time period in snooze mode is 1:00 hour.

Fig. 26



- 3.5.1.6 Pressing the set button again will now show you the snooze time period remaining. The snooze time period can be adjusted by pressing the + or - buttons on the handset. This time period can be set ranging from 1 minute to 4:00 hours.
- 3.5.1.7 To adjust the snooze period, hold the handset with one hand ensuring your hand is wrapped around the back and that your hand is in contact with both sides of the handset. The green light of the “unlock” symbol should light. Press the set button and the screen will show how long is left of the snooze period as shown overpage in figure 27.

Fig. 27



- 3.5.1.8 To adjust the snooze period use the + and - buttons to increase or decrease the snooze period for any period between 1 minute and 4:00 hours.
- 3.5.1.9 When the correct snooze period is indicated on the handset, press the set button to store the required time period, or alternatively the handset can be left for a few seconds and the period will be stored automatically.
- 3.5.1.10 When the countdown timer for the snooze period has reached zero the stove will turn off (as if you had turned the stove off manually).

3.5.2 Thermostatic mode

PLEASE NOTE : Thermostatic mode of this stove will only allow regulation of the room temperature by the stove when it has been already lit via manual operation of the handset. It will not allow the stove to light automatically due to low ambient roomtemperature and should therefore not be relied upon for frost protection purposes.

3.5.2.1 Hold the handset with one hand ensuring your hand is wrapped around the back and that your hand is in contact with both sides of the handset. The green light of the “unlock” symbol should light.

3.5.2.2 With the handset held as described above, press and release the mode button several times as necessary until the display has the thermometer symbol flashing at the top of the display. Press the set button to enter this mode, as shown below in figure 28.

Fig. 28



3.5.2.3 Press the set button again to see the temperature setting that is set (the default is 24 degrees celsius). If a different set temperature is required, whilst the display is showing this set temperature, press the + and - buttons to alter this setting, press the set button to store the required temperature, or alternatively the handset can be left for a few seconds and the temperature will be stored automatically.

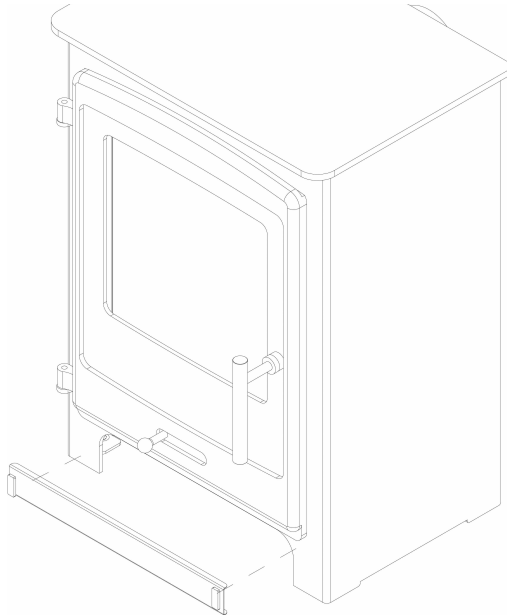
3.5.2.4 If at any time the power button is operated during thermostat mode the control will cancel any thermostat operation and return the control to manual mode.

3.5.2.5 **IMPORTANT NOTE : Thermostat mode will not light the stove automatically and will only regulate between the maximum and minimum burner setting. The stove must be lit via the handset and then you enter thermostat mode as described in this section and set the temperature. When no longer requiring thermostat mode turn off the burner and the handset will return to manual mode.**

3.6 FITTING THE COVER PLATE

3.6.1 The cover plate as supplied in the loose items pack is fitted behind the legs at the bottom of the stove with and secured via the 2 off magnets as shown below in figure 29.

Fig. 29



SECTION 4 MAINTENANCE

Servicing Notes

Servicing should be carried out annually by a competent person such as a GAS SAFE registered engineer and must include a thermocouple change. This is a condition of the Portway 10 year guarantee schemes that this is carried out by a competent person i.e a GAS SAFE registered Engineer in accordance with these servicing notes.

The condition of the logs should be checked and **if necessary the whole set should be replaced with a genuine replacement set.**

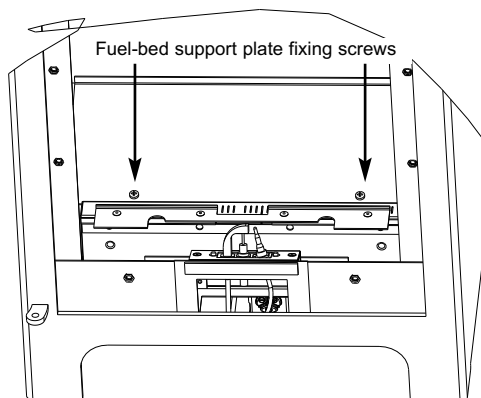
The burner assembly is designed to be removed as a complete unit for ease of access. **After any servicing work a gas tightness check must always be carried out.**

4.1 Removing the Burner Assembly from the Stove

4.1.1 Ensure the stove is cool, open the door.

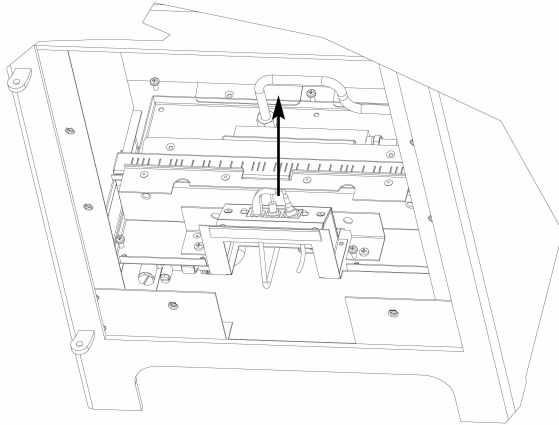
4.1.2 Isolate the gas supply, then remove the ceramics. Remove the 2 off fixing screws which hold the fuel-bed support plate in position as shown below in figure 30 then lift the fuel-bed support clear from the stove.

Fig. 30



- 4.1.3 Remove the 2 off fixing screws which hold the burner in position and the 9 off screws which hold the burner tray then lift vertically as shown below in figure 31.

Fig. 31



- 4.1.4 Lift the burner engine out of the product, taking care not to damage the burner unit or controls in the process.

4.2 Removing / Replacing the Valve Assembly

- 4.2.1 Remove the burner assembly as in section 4.1
- 4.2.2 Disconnect the thermocouple wires from the valve. Remove the main pipe, inlet pipe and pilot pipe from the valve.
- 4.2.3 Remove the valve retaining screws and lift clear. Re-assemble in reverse order and carry out a gas tightness test. Re-fit logs as shown in section 3.
- 4.2.4 Close the door, check operation of the stove.

4.3 Removing / Replacing the Pilot Assembly.

- 4.3.1 Isolate the gas supply, disconnect the thermocouple wires from the valve and the HT ignition lead.
- 4.3.2 Loosen the pilot nut and remove two screws retaining the pilot assembly.
- 4.3.3 Disconnect the ignition lead from the electrode and remove the thermocouple from the pilot body
- 4.3.4 Re-assemble in reverse order with a new pilot gasket ensuring an even seal around the pilot is obtained and carry out a gas tightness test. Re-fit logs as shown in section 3.
- 4.3.5 Close the door, check operation of the stove.

4.4 Parts Shortlist

Rear liner	B-185280
L/H side liner	B-164320
R/H side liner	B-168440
Glass door panel	B-185390
Complete log set	B-1000183
Base log	B-165640
Log "A" only	B-165650
Log "B" only	B-165660
Log "C" only	B-167880
Front rail	B-185360
RC gas control valve	B-160780
Ignition lead	B-34690
Remote handset	B-168970
Thermocouple	B-170220

SECTION FIVE - USER INSTRUCTIONS

5.1 INSTALLATION INFORMATION

CONDITIONS OF INSTALLATION

It is the law that all gas appliances are installed only by a competent (e.g. Registered) Installer, in accordance with the installation instructions and the Gas Safety (Installation and Use) Regulations 1998. Failure to install appliances correctly could lead to prosecution. It is in your own interest and that of safety to comply with the law.

The stove may be fitted below a combustible shelf provided that the shelf is at least 200mm above the top of the appliance and the depth of the shelf does not exceed 150mm.

The stove may be installed below combustible shelves providing that the clearance above the stove is a minimum of 225mm.

This stove is a heating appliance, therefore all external surfaces of the product are classified as a working surface and will become hot during use of the stove.

DO NOT UNDER ANY CIRCUMSTANCES USE THIS APPLIANCE IF THE GLASS PANEL IS BROKEN OR NOT SECURELY FIXED TO THE DOOR ASSEMBLY.

The Model number of this appliance is as stated on the rating plate affixed to the bottom front of the stove inner chamber and it is manufactured by :-

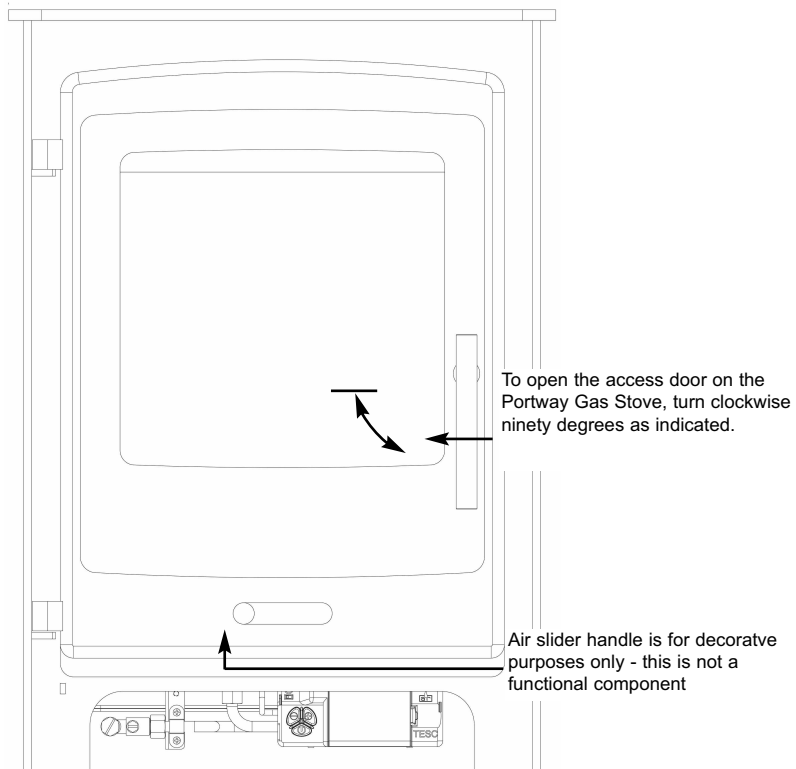
BFM Europe Ltd
Trentham Lakes
Stoke on Trent
ST4 4TJ

5.2 ABOUT YOUR NEW PORTWAY GAS STOVE

The Portway gas stove incorporates a unique and highly developed fuel bed which gives the realism of a loose log layout combined with realistic flames and glow. The use of durable ceramic material in the construction of the fuelbed components ensures long and trouble free operation.

Please take the time to fully read these instructions as you will then be able to obtain the most effective and safe operation of your stove, see figure 1 below for details of door opening.

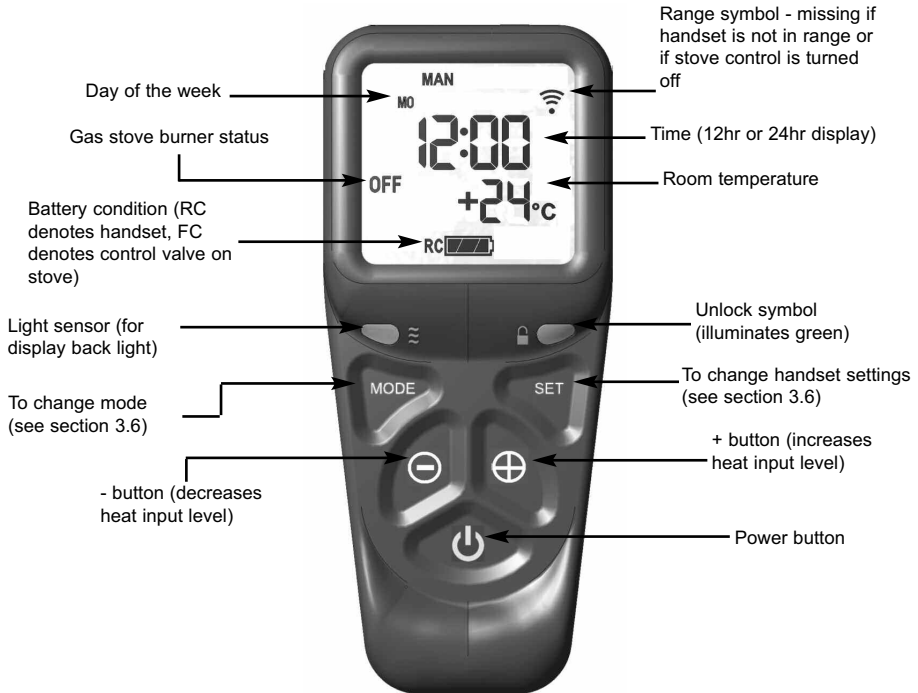
Fig. 1



5.3 OPERATING THE STOVE - REMOTE CONTROL MODELS

- 5.3.1 Ensure valve power isolation switch is in the on position - see figure 6
Hold the handset with one hand ensuring your hand is wrapped around the back and that your hand is in contact with both sides of the handset.
The green light of the “unlock” symbol should light. See figure 2 below.

Fig. 2



- 5.3.2 Press and hold the power button continuously until the word “PILOT” appears at the bottom left of the display as shown overpage in figure 3, (this typically takes two seconds). The burner will now light at maximum heat input level and will display “MAX” in the bottom left hand side of the display as shown in figure 3 overpage. **For most efficient performance leave the stove on high when lighting from cold for ten minutes.**

NOTE : If the power button is pressed for too long or too short a time or the grip on the handset is not firm or is released too soon, the lighting sequence will be interrupted and not complete. The reason for the remote control having this strict start sequence is for safety reasons so that the starting operation of the stove will be most unlikely to be done other than intentionally by an adult.

Fig. 3 - "PILOT" displayed



"PILOT" displayed on handset during ignition sequence (typically takes two seconds)

Fig. 4 - "MAX" & large flame symbol displayed

"MAX FLAME" displayed on handset when burner is lit to maximum rate



5.3 OPERATING THE APPLIANCE - REMOTE CONTROL MODELS (CONTINUED)

- 5.3.3 To decrease the heat input level of the burner hold the handset as described in section 5.3.1 to unlock the keypad then press and release the - button. Pressing and releasing the - button will lower the heat input level one step at a time. Pressing the - button continuously will move the heat input level to the minimum, see figure 5 below.

Fig. 5



- 5.3.4 To increase the heat input level of the fire's burner hold the handset as described in section 5.3.1 to unlock the keypad then press and release the + button. Pressing and releasing the + button will increase the heat input level one step at a time. Pressing the + button continuously will move the heat input level to the maximum.
- 5.3.5 To turn the fire off hold the handset as described in section 5.3.1 to unlock the keypad then press and release the power button. The burner will go out.

5.3.6 **If you are not intending to use the stove for a long period (i.e. over the summer months) the battery life can be extended by sliding the power isolator switch to the left (to the “0” position away from the “1” position) on the valve itself, which is located under the stove on the top left of the control valve.**

5.3.7 **In the event of loss of the remote handset, as a backup the fire can be controlled from the valve, which is located behind the ashpan cover on the fire, see section 5.4 for full manual operating instructions. If your fire does not operate manually please consult the troubleshooting chart on the rear page of this manual.**

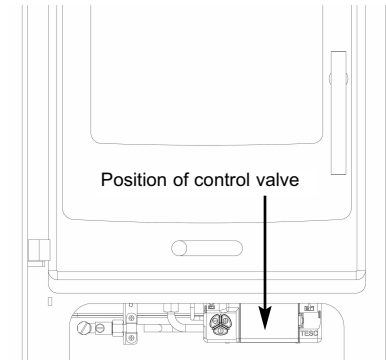
5.3.8 If the handset is misplaced you can “page it” by pressing the (+) button only on the control valve on the fire for a period of 5 seconds. The handset will flash and make an audible noise to help you locate it. Once you find the handset with one hand ensure your hand is wrapped around the back and that your hand is in contact with both sides of the handset then the audible noise will cease. The flashing and sound will last for 60 seconds each time the handset is paged as described. If not found in 60 seconds page the handset again until located

IMPORTANT NOTE : THE BATTERIES SHOULD BE REPLACED WITH GOOD QUALITY ALKALINE BATTERIES WHEN REQUIRED, THE BATTERY LIFE IS EXPECTED TO BE A MINIMUM OF 12 MONTHS WITH NORMAL USAGE. FOR BEST PERFORMANCE BFM EUROPE RECOMMEND THE USE OF ENERGIZER BATTERIES WITH IT’S PRODUCTS.

5.4 MANUAL OPERATION OF THE STOVE

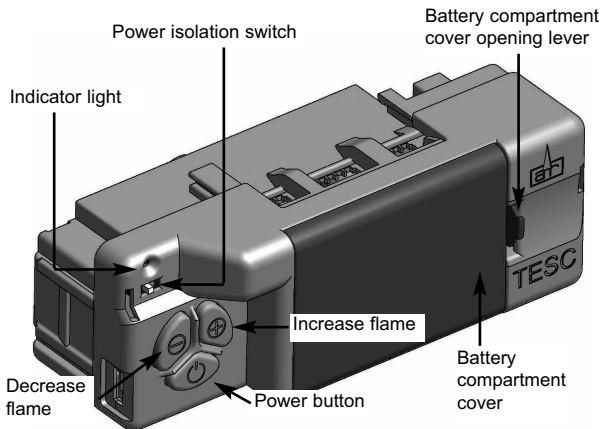
- 5.4.1 These products can be operated manually should the need arise. The control valve is located at the base of the stove, as shown below in figure 6. Remove the black magnetic cover plate before attempting to operate the stove manually (cover plate is held in position by magnets).

Fig. 6



- 5.4.2 Ensure that the power isolation switch is in position "1" and the power indicator light is illuminated (red) as shown in figure 7 below.

Fig. 7



- 5.4.3 To operate the fire press and hold the “power” button as shown in figure 2 on the previous page for two seconds, release as soon as the red indicator light in figure 2 on the previous page illuminates. The burner will start its ignition sequence and light to the maximum heat input level.
- 5.4.4 To reduce the heat input, press and release the (-) button to lower the heat input level one step at a time. Pressing the (-) button continuously will move the heat input level to the minimum.
- 5.4.5 To turn the fire off, press the power button and the burner will stop.

5.4.6 **If you are not intending to use the stove for a long period (i.e. over the summer months) the battery life can be extended by sliding the power isolator switch to the left (to the “0” position away from the “1” position) on the valve itself, which is located under the stove on the top left of the control valve.**

5.5 REPLACING THE BATTERIES

- 5.5.1 Locate the control valve battery cover on the valve at the bottom of the stove, slide the power isolator switch to the “0” position (to the left).
- 5.5.2 Remove the battery cover and replace the 3 off AA batteries with good quality Alkaline items, BFM Europe recommend the use of “Energizer” batteries. **It is important that only an alkaline battery is used, otherwise premature battery failure and leakage may result.**
- 5.5.3 Replace the battery cover and turn the power isolator switch to the “1” position (to the right).
- 5.5.4 Operate the stove as normal.
- 5.5.5 Fit two off AA batteries to the handset in the direction shown inside the handset moulded into the plastic.

5.6 SETTING THE TIME, DATE & TEMPERATURE ON THE REMOTE HANDSET

- 5.6.1 Fit the 2 off AA batteries to the handset by removing the cover on the rear of the handset and inserting the batteries, ensure the correct +/- polarity is observed. Following insertion of the batteries the screen displayed will be as shown below in figure 8.

Fig. 8



- 5.6.2 Hold the handset with one hand ensuring your hand is wrapped around the back and that your hand is in contact with both sides of the handset. The green light of the “unlock” symbol should light and the screen displayed will be as shown overpage in figure 9.
- 5.6.3 The “H” symbol as indicated in figure 9 overpage indicates that the timer can now be set in either 24hr or 12hr mode. Press the + or - buttons on the handset to toggle between the two settings, figure 9 overpage displays the 24hr mode.

Fig. 9



5.6.4 When the 24hr or 12hr time display option has been chosen and you are ready to confirm the setting you want press the SET button on the handset to progress to setting the day of the week as shown overpage in figure 10.

5.6.5 Press and release the + and - buttons on the handset until the correct day of the week is shown on the handset display

Mo = Monday
Tu = Tuesday
We = Wednesday
Th = Thursday
Fr = Friday
Sa = Saturday
Su = Sunday

5.6.6 Press SET to accept the day of the week and progress to setting the hour of the day.

Fig. 10



5.6.7 As shown above in figure 10 the time on the handset can now be set by using the + and - buttons to change the hour to the correct hour then press SET to store and to move to setting the minute. Repeat this process for setting the minute to the correct minute then press SET to store.

5.6.8 The handset will then display the temperature setting screen as shown overpage in figure 11, the option to choose either Celsius or Fahrenheit can be chosen, these settings are shown as either C or F. Use the + and - buttons to toggle between these two options then press SET to store. The important settings have now been completed so press and hold the SET button for a few seconds and this will exit the set-up menu.

Fig. 11



5.6.9 The control is now ready for use with the burner.

5.6.10 If the handset is misplaced you can “page it” by pressing the (+) button only on the control valve on the fire for a period of 5 seconds. The handset will flash and make an audible noise to help you locate it. Once you find the handset with one hand ensure your hand is wrapped around the back and that your hand is in contact with both sides of the handset then the audible noise will cease. The flashing and sound will last for 60 seconds each time the handset is paged as described. If not found in 60 seconds page the handset again until located.

5.7 ADVANCED SETTINGS MENU OF THE REMOTE CONTROL

5.7.1 Snooze mode in manual operation

- 5.7.1.1 Snooze mode is a time period which can be set which will turn the fire automatically off after a certain time period has elapsed.
- 5.7.1.2 Hold the handset with one hand ensuring your hand is wrapped around the back and that your hand is in contact with both sides of the handset. The green light of the “unlock” symbol should light. The snooze time period can be set either before or during manual operation of the fire.
- 5.7.1.3 With the handset held as described above, press the mode button to scroll through the functions until the symbols MAN and Zzz are flashing at the top of the display as shown below in figure 12.
- 5.7.1.4 Press and release the set button and this will put the control into the manual snooze mode.
- 5.7.1.5 The default time period in snooze mode is 1:00 hour.

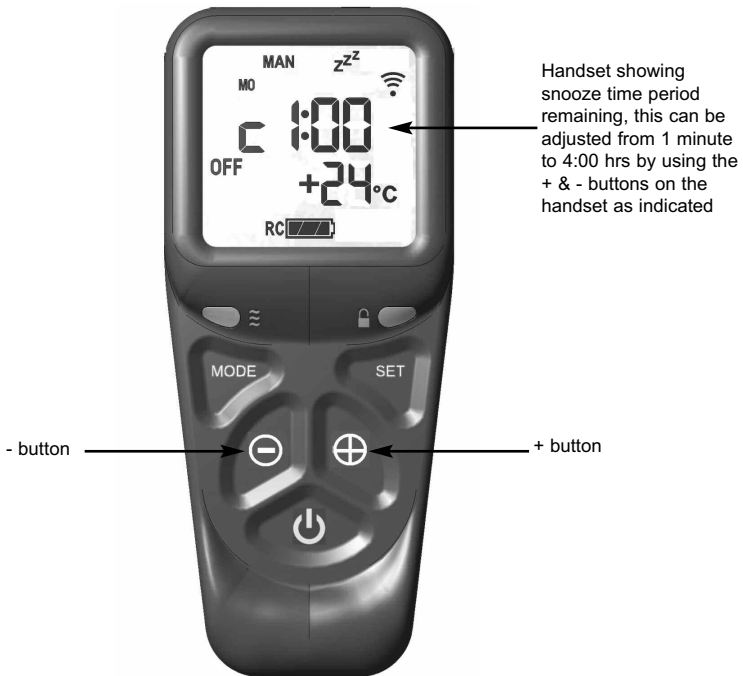
Fig. 12



5.7.1.6 Pressing the set button again will now show you the snooze time period remaining. The snooze time period can be adjusted by pressing the + or - buttons on the handset. This time period can be set ranging from 1 minute to 4:00 hours.

5.7.1.7 To adjust the snooze period, hold the handset with one hand ensuring your hand is wrapped around the back and that your hand is in contact with both sides of the handset. The green light of the “unlock” symbol should light. Press the set button and the screen will show how long is left of the snooze period as shown below in figure 13.

Fig. 13



5.7.1.8 To adjust the snooze period use the + and - buttons to increase or decrease the snooze period for any period between 1 minute and 4:00 hours.

5.7.1.9 When the correct snooze period is indicated on the handset, press the set button to store the required time period, or alternatively the handset can be left for a few seconds and the period will be stored automatically.

5.7.1.10 When the countdown timer for the snooze period has reached zero the fire will turn off (as if you had turned the fire off manually).

5.7.2 Thermostatic mode

PLEASE NOTE : Thermostatic mode of this stove will only allow regulation of the room temperature by the fire when it has been already lit via manual operation of the handset. It will not allow the fire to light automatically due to low ambient roomtemperature and should therefore not be relied upon for frost protection purposes.

5.7.2.1 Hold the handset with one hand ensuring your hand is wrapped around the back and that your hand is in contact with both sides of the handset. The green light of the “unlock” symbol should light.

5.7.2.2 With the handset held as described above, press and release the mode button several times as necessary until the display has the thermometer symbol flashing at the top of the display. Press the set button to enter this mode, as shown below in figure 14.

Fig. 14



5.7.2.3 Press the set button again to see the temperature setting that is set (the default is 24 degrees celsius). If a different set temperature is required, whilst the display is showing this set temperature, press the + and - buttons to alter this setting, press the set button to store the required temperature, or alternatively the handset can be left for a few seconds and the temperature will be stored automatically.

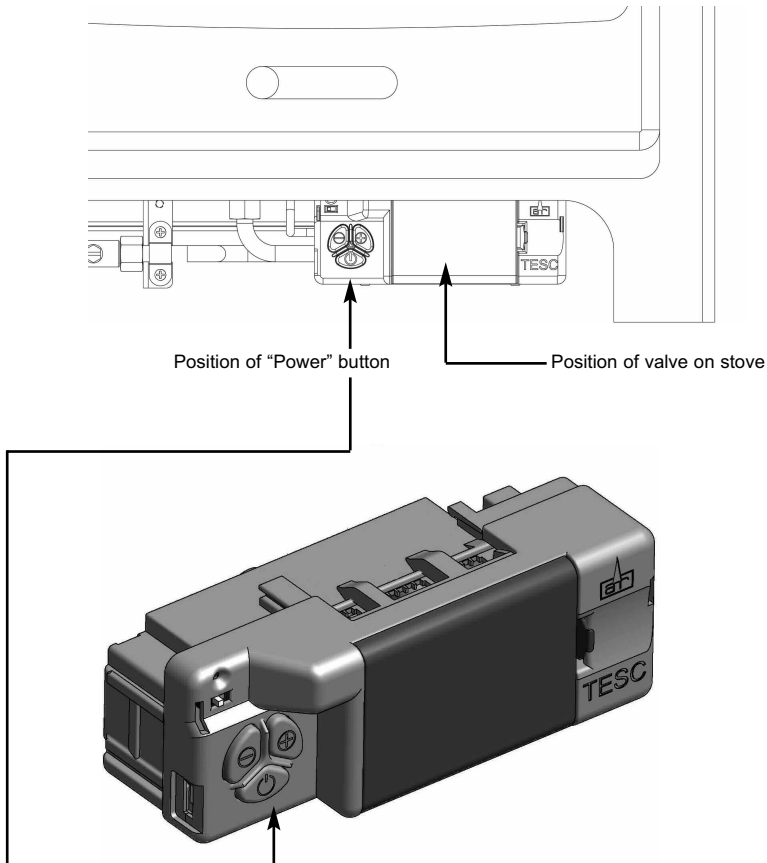
5.7.2.4 If at any time the power button is operated during thermostat mode the control will cancel any thermostat operation and return the control to manual mode.

5.7.2.5 **IMPORTANT NOTE : Thermostat mode will not light the stove automatically and will only regulate between the maximum and minimum burner setting. The fire must be lit manually via the handset and then you enter thermostat mode as described in this section and set the temperature. When no longer requiring thermostat mode turn off the burner and the handset will return to manual mode.**

5.8 TURNING THE PRODUCT OFF IN THE UNLIKELY EVENT OF A REMOTE HANDSET MALFUNCTION

- 5.8.1 In the unlikely event of the remote control handset malfunctioning (or if lost or broken) after the appliance has been turned on, the stove can be turned off via the main valve, located below the stove.
- 5.8.2 To turn the product off, firstly locate the valve which is situated below the stove as shown below in figure 15.
- 5.8.3 Press and release the power button as indicated below in figure 15.
- 5.8.4 The appliance will now remain in the “off” position until activated by the remote handset.

Fig. 15



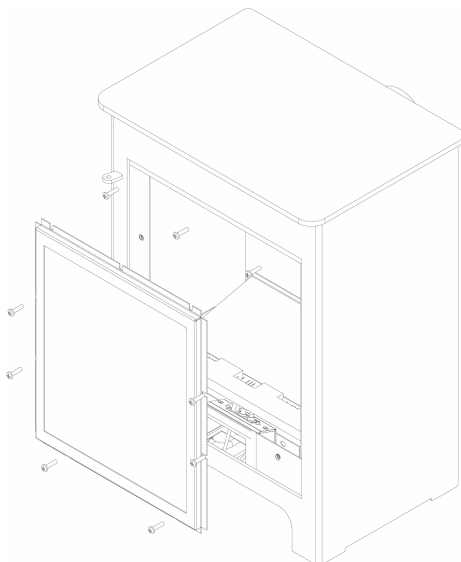
5.9 REMOVING / REPLACING THE GLASS ASSEMBLY

5.9.1 To remove the glass assembly from the stove firstly open the door fully.

5.9.2 The glass assembly is secured by 9 off M5 screws as shown below in figure 16.

5.9.3 Use a screwdriver to remove the 9 off M5 screws then lift the glass assembly clear.

Fig. 16



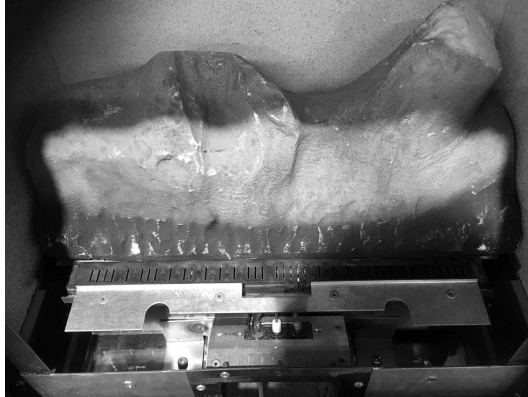
5.9.4 Re-assemble in reverse order.

DO NOT UNDER ANY CIRCUMSTANCES USE THIS APPLIANCE IF THE GLASS PANEL IS BROKEN OR NOT SECURELY FIXED TO THE DOOR ASSEMBLY.

5.10 ASSEMBLING THE LOG FUEL BED

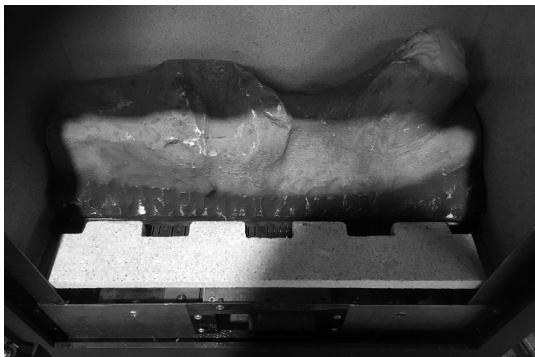
- 5.10.1 Place the ceramic log base on top of the fuelbed support and pull fully forwards to the burner. **Make sure that the ceramic log base is positioned centrally in the stove. Ensure that the fuelbed base fits fully down onto the fuel bed support and is not lodged on the burner. See figure 17 below.**

Fig. 17



- 5.10.2 Place the vermiculite front log support centrally onto the burner front rail as shown below in figure 18.

Fig. 18



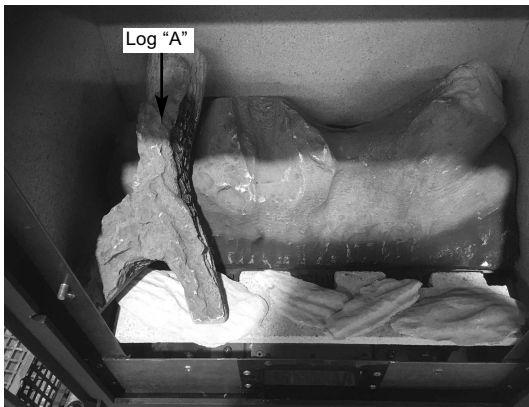
5.10.3 Place a single layer of bark onto the front log support as shown below in figure 19.

Fig. 19



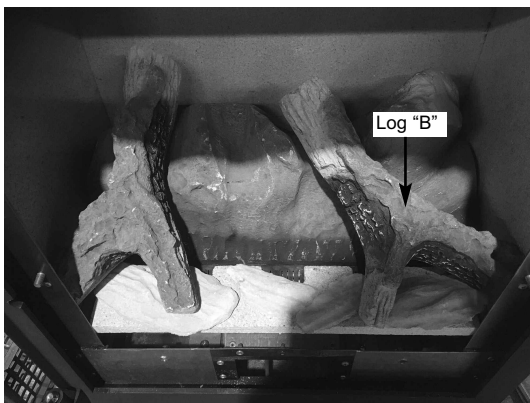
5.10.4 Place log "A" onto the left hand end of the base ceramic log as shown below in figure 20.

Fig. 20



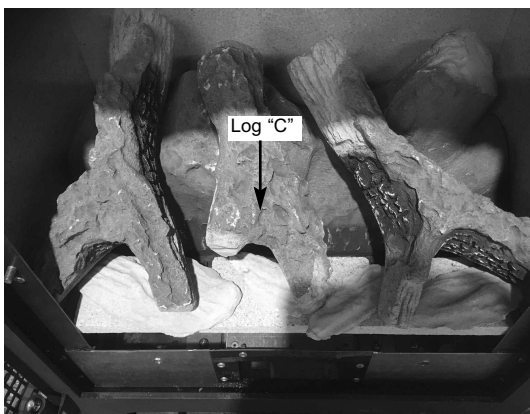
5.10.5 Place log "B" onto the base ceramic log at the right hand side as shown below in figure 21.

Fig. 21



5.10.6 Place log "C" onto the groove in the centre of the base ceramic log as shown below in figure 22.

Fig. 22



The exact position and fit of the logs may be finely adjusted to give the most pleasing and random appearance.

Warning : Use only the logs supplied with the stove. When replacing the logs remove the old logs and discard them. Fit a complete set of logs of the correct type. Do not fit additional logs or any logs other than a genuine replacement set.

This appliance uses fuel effect pieces containing Refractory Ceramic Fibres (R.C.F.), which are man-made vitreous silicate fibres. Excessive exposure to these materials may cause temporary irritation to eyes, skin and respiratory tract. Consequently, it makes sense to take care when handling these articles to ensure that the release of dust is kept to a minimum. To ensure that the release of fibres from these R.C.F. articles is kept to a minimum, during installation & servicing we recommend that you use a HEPA filtered vacuum to remove any dust and soot accumulated in and around the fire, before and after working on the fire. When replacing these articles we recommend that the replaced items are not broken up, but are sealed within a heavy duty polythene bag, clearly labelled as “RCF waste”. This is not classified as “hazardous waste” and may be disposed of at a tipping site licensed for the disposal of industrial waste. Protective clothing is not required when handling these articles, but we do recommend you follow the normal hygiene rules of not smoking, eating or drinking in the work area, and always wash your hands before eating or drinking. This appliance does not contain any component manufactured from asbestos or asbestos related products.

5.11 USER REPLACEABLE PARTS

Complete log set	B-1000183
Base log	B-165640
Log “A” only	B-165650
Log “B” only	B-165660
Log “C” only	B-167880
Front rail	B-185360

Due to our policy of continual improvement and development the exact accuracy of illustrations and descriptions contained in this book cannot be guaranteed.

TROUBLE SHOOTING ADVICE FOR REMOTE CONTROL MODELS PRIOR TO REQUESTING A SERVICE CALL

Please locate the Indicator light on the control valve, located at the base of the stove (see figure 7 on page 41), if it shows **any** of the following flashing sequences then the problem requires the batteries in the control valve and / or handset changing, **be advised that service calls as a result of batteries requiring being changed in the product or handset are chargeable.**

- a) If the red indicator light flashes **ONCE** every ten seconds the batteries in the control valve require changing, see section 5.5
- b) If the red indicator light flashes **TWICE** every ten seconds the batteries in the handset require changing, see section 5.5
- c) If the red indicator light flashes **THREE** times every ten seconds the batteries in the control valve and the handset require changing, see section 5.5

If these red indicator light flashes are ignored then eventually this will show as a flash every second and your fire will cease to operate until the batteries are changed.

If a permanent red indicator light is shown after attempting to ignite the fire this signifies no spark or no gas at the pilot and therefore a service call will be required to diagnose the fault.

PLEASE ENSURE THIS ADVICE IS FOLLOWED TO AVOID BEING CHARGED FOR A SERVICE CALL AS A RESULT OF BATTERIES REQUIRING TO BE CHANGED.



**Part No. B-1000150
Issue 2**

BFM Europe Ltd.
Trentham Lakes
Stoke-on-Trent
Staffordshire
ST4 4TJ

www.bfm-europe.com

Telephone - General Enquiries :
Telephone - Service :

(01782) 339000
(01782) 339008