



CLEANBURN

LOVENHOLM
NORRESKOVEN MKII
SKAGEN 5 & 6
NORDSTRAND
STROMSTAD
ÅTTA
SJU
MODELS

Instructions for:
Installation/Operating/Maintenance/Serviceing

JINCBD REV C 06/06/19



hunterstoves
GROUP

STOVE MODELS



LOVENHOLM
CVSCB05FMB
CVCB05FMB
CVSCB05FWB



LOVENHOLM EURO
CVSCB05EFMB
CVCB05EFMB



NORRESKOVEN MKII
CVSCB062FMFS
CVCB062FMFS
CVSCB062FWFS



NORRESKOVEN MKII
CVSCB062EFMFS
CVCB062EFMFS



STROMSTAD
CVSVARFMBW



ATTA
CVSATTAFM



SJU
CVSSJUFM



SKAGEN
CVSCB08FMFS



SKAGEN 5
CVSCB085FMFS
CVSCB08FWFS
CVSCB085FMSG



NORDSTRAND
(BLACK)
CVSCBN05WB
CVSCBN05FMB



NORDSTRAND
(PORCELAIN)
CVSCBCN05MFP
CVSCBCN05WB



NORDSTRAND
(SATIN BLUE)
CVSCBN05WBB





Welcome to the Hunter Stoves family and thank you for purchasing a Cleanburn stove. This stove was designed and built to be a high-performance heating appliance, and we hope it will bring you great enjoyment. The natural environment is important to us, so our stoves are manufactured to provide you with a clean and efficient burn that will keep you warm through cold winter nights.

CONTENTS INDEX:

STOVE MODEL	2
TECHINICAL SPECIFICATION.....	4/5
IMPORTANT INFORMATION.....	6
SAFETY.....	7
REMOVE INTERNAL COMPONENTS.....	8-12
APPLIANCE DIMENSIONS.....	13-16
PRE INSTALLATION REQUIRMENTS.....	16/17
LEGAL REQUIREMENTS.....	17/18
CLEARANCES.....	18/19
INSTALLATION REQUIREMENTS/PROCEDURES.....	20/21
COMMISSIONING AND HANDOVER.....	21-23
OPERATING INSTRUCTIONS.....	23-28
MAINTENANCE & SERVICING.....	28-30
TROUBLESHOOTING.....	31/32
OPTIONAL EXTRAS.....	33
SPARES.....	33-41
INSTALLATION & COMMISSIONING CHECK LIST.....	42
SERVICE RECORDS.....	43
FULL WARRANTY INFORMATION.....	44/45



Technical Specification

	 CLEANBURN		LOVENHOLM STANDARD AND EUROPEAN	NORRESKOVEN STANDARD AND EUROPEAN	SONDRERSKOVEN	SKAGEN 5	SKAGEN 6
GENERAL	Energy Efficiency Class		A	A	A	A+	A
	Nominal Heat Output	Wood	4.6kW	4.4kW	7.4kW	4.9kW	6.0kW
	Nominal Heat Output	Smokeless Fuel	5.0kW	N/A	N/A	N/A	N/A
	Energy Efficiency	EEl	100	98	106	107	106
	Efficiency	Wood	75%	74%	79%	80%	79%
	Efficiency	Smokeless Fuel	73.4%	N/A	N/A	N/A	N/A
	Mean CO (@13% O ₂)	Wood	0.19%	0.17%	0.52%	0.15%	0.18%
	Mean CO (@13% O ₂)	Smokeless Fuel	0.44%	N/A	N/A	N/A	N/A
	Appliance Mass		99kg	110kg	115kg	120kg	120kg
	Recommended Fuels	Wood	Seasoned Wood (less than 20% moisture content)				
		Smokeless Fuel	Anthracite or a manufactured briquette smokeless fuel which is suitable for closed door appliances.				
Log Length		300mm	320mm	420mm	400mm	400mm	
FLUES	Mean Flue Gas Temperature	Wood	246°C	311°C	254°C	262°C	272°C
	Mean Flue Gas Temperature	Smokeless Fuel	222°C	N/A	N/A	N/A	N/A
	Flue Gas Mass Flow	Wood	5.8 g/s	4.6 g/s	5.7 g/s	4/6 g/s	5.0 g/s
	Flue Gas Mass Flow	Smokeless Fuel	5.1 g/s	N/A	N/A	N/A	N/A
	Flue Outlet Size (Top or Rear Option)		125mm	125mm	154mm	125mm	154mm
VENTILATION	<ul style="list-style-type: none"> - Where leakage is greater than 5m³/hour/m² - Ventilation normally required = 550mm² per kW output over 5kW 		NONE	NONE	1320 mm ²	NONE	550 mm ²
	<ul style="list-style-type: none"> - Where leakage is less than or equal to 5m³/hour/m² - Ventilation normally required = 550mm² per kW of appliance rated output 		2530 mm ²	2420 mm ²	4070 mm ²	2695 mm ²	3300 mm ²

For further information on ventilation please refer to Building Regulations Document J or your installer.

SMOKE CONTROL AREAS – The Lovenholm/Norreskoven/Skagen 5 & 6 and Nordstrand have been designed and assembled so that it may be used to burn wood logs in a Smoke Control Area. Find out if you are in a Smoke Control Area by contacting your Local Authority. They Lovenholm and Norreskoven been fitted with a permanent stop. The Nordstrand, Skagen 5 and 6 has an adaption that is needed. Without these in place the appliance is not an exempt appliance and so may leave the householder liable for a fine up to £1000.

Technical Specification

 CLEANBURN 		NORDSTRAND 5	STROMSTAD	ÅTTA	SJU	
GENERAL	Energy Efficiency Class		A+	A	A	A
	Nominal Heat Output	Wood	4.9kW	4.7kW	4.7kW	4.7kW
	Nominal Heat Output	Smokeless Fuel	N/A	N/A	N/A	N/A
	Energy Efficiency		111	104	104	104
	Efficiency	Wood	83%	78%	78%	78%
	Efficiency	Smokeless Fuel	N/A	N/A	N/A	N/A
	Mean CO (@13% O ₂)	Wood	0.37%	0.23%	0.23%	0.23%
	Mean CO (@13% O ₂)	Smokeless Fuel	N/A	N/A	N/A	N/A
	Appliance Mass		120kg	125kg	115kg	105kg
	Recommended Fuels	Wood	Seasoned Wood (less than 20% moisture content)			
		Smokeless Fuel	Anthracite or a manufactured briquette smokeless fuel which is suitable for closed door appliances.			
Log Length		400mm	250mm	250mm	250mm	
FLUES	Mean Flue Gas Temperature	Wood	231°C	288°C	288°C	288°C
	Mean Flue Gas Temperature	Smokeless Fuel	N/A	N/A	N/A	N/A
	Flue Gas Mass Flow	Wood	3.4 g/s	3.9 g/s	3.9 g/s	3.9 g/s
	Flue Gas Mass Flow	Smokeless Fuel	N/A	N/A	N/A	N/A
	Flue Outlet Size (Top or Rear Option)		127mm	127mm	127mm	127mm
VENTILATION	<ul style="list-style-type: none"> - Where leakage is greater than 5m³/hour/m² - Ventilation normally required = 550mm² per kW output over 5kW 		NONE	NONE	NONE	NONE
	<ul style="list-style-type: none"> - Where leakage is less than or equal to 5m³/hour/m² - Ventilation normally required = 550mm² per kW of appliance rated output 		2695 mm ²	2585 mm ²	2585 mm ²	2585 mm ²

For further information on ventilation please refer to Building Regulations Document J or your installer.

SMOKE CONTROL AREAS – The Nordstrand 5, Stromstad, Atta and Sju have been designed and assembled so that it may be used to burn wood logs in a Smoke Control Area. Find out if you are in a Smoke Control Area by contacting your Local Authority. The Stromstad, Atta and Sju have been fitted with a permanent stop. The Nordstrand 5 has an adaption that allows this. Without these in place the appliance is not an exempt appliance and so may leave the householder liable for a fine up to £1000.

IMPORTANT INFORMATION

PLEASE READ THESE INSTRUCTIONS PRIOR TO INSTALLATION AND OPERATION. KEEP THESE INSTRUCTIONS IN A SAFE PLACE FOR FUTURE REFERENCE AND SERVICING.

THIS APPLIANCE WILL BECOME VERY HOT WHEN USED IN ACCORDANCE WITH THESE INSTRUCTIONS, HUNTER STOVES RECOMMEND THAT AN APPROVED GUARD IS USED TO PROTECT THE YOUNG, ELDERLY OR INFIRM FROM HARM.

THE INSTALLER COMMISSIONING SHEET CAN BE FOUND ON THE BACK COVER. PLEASE ENSURE THAT IT IS COMPLETED PRIOR TO USE.

General Guidance

It is important that your stove is correctly installed and operated as Hunter Stoves Group cannot accept responsibility for any fault arising through incorrect installation, use, maintenance or servicing.

These instructions cover the basic principles to ensure satisfactory installation of the stove, although detail may need slight modification to suit particular local site conditions.

The installation must comply with current Building Regulations, National and European Standards, Local Authority Byelaws and other specifications or regulations as they affect the installation of the appliance.

The Building Regulations requirements may also be met by adopting the relevant recommendations in the current issues of British Standards BS 8303 and BS EN 15287-1.

Only use approved fuels on this appliance. Information about this can be found on Page 28.

This is a Domestic Appliance and must only be used in accordance with these instructions. Do not place articles that are affected by high temperatures on, or near, this appliance. Do not place furniture or other items within 1 metre of the front of this appliance. See the note on material clearances on pages 18/19.

Fitting a stove in a room which also contains an extractor fan and/or cooker hood should be avoided where possible. If this is unavoidable, the suitability of the space for fitting this appliance must be decided at the discretion of a qualified installer, and a flue draught interference test must be performed.

Do not obstruct the ventilation required for the safe use of this appliance.

Competent Persons Scheme

Hunter Stoves Group recommend that this stove is installed by a member of an accredited competent persons scheme e.g. HETAS.

If the installer is not a member of a competent person's scheme, it is a legal requirement, in the UK, to notify your Local Building Control Officer in advance of any installation work starting.

Health and Safety Precautions

Special care must be taken when installing the stove such that the requirements of the Health and Safety at Work Act are met.

Handling

This appliance is very heavy. Adequate facilities must be available for loading, unloading and site handling.

Fire Cement

Some types of fire cement are caustic and should not be allowed to come into contact with the skin. In case of contact, wash immediately with plenty of water.

Asbestos

This stove contains no asbestos. If there is a possibility of disturbing any asbestos in the course of installation, then please seek specialist guidance and use appropriate protective equipment.

Metal Parts

When installing or servicing this stove, care should be taken to avoid the possibility of personal injury.

Modification

No unauthorised modification of this appliance should be carried out.

Safety

WARNING – This appliance will be hot when in operation and due care should be taken. The supplied operating tool or glove may be used to open the door and operate the air controls.

Aerosols

Do not use an aerosol spray on or near the stove when it is alight.

Fireguards

Always use a fireguard in the presence of children, the elderly or the infirm. The fireguard should be manufactured in accordance with BS8423 – Fireguards for use with solid fuel appliances.

Do Not Over-Fire

It is possible to fire the stove beyond its design capacity. This could damage the stove so watch for signs of over-firing. If any part of the stove starts to glow red, the stove is in an over-fire situation and the controls should be adjusted accordingly.

Never leave the stove unattended for long periods without first adjusting the controls to a safe setting.

Careful air supply control should be exercised at all times.

Fume Emission

Properly installed, operated, this appliance will not emit fumes. Occasional fumes from de-ashing and refuelling may occur. Persistent fume emission must not be tolerated.

This appliance should not be operated with the door open.

If fume emission persists, then the following immediate action should be taken: -

- Open doors and windows to ventilate the room.
- Let the fire go out, or eject and safely dispose of fuel from the appliance.
- Check for flue/chimney blockage and clean if required.
- Do not attempt to re-light the fire until the cause of the fume emission has been identified and corrected.

If necessary, seek expert advice.

Adverse Weather

In a small number of installations, occasional local weather conditions (e.g. wind from a particular direction) may cause downdraught in the flue and cause the stove to emit fumes. In these circumstances, the stove should not be used. A professional flue installer will be able to advise on solutions to this problem (e.g. anti-downdraught cowl).

Carbon Monoxide Detector

Hunter Stoves recommend a Carbon Monoxide Detector that conforms to the latest issue of BS EN 50292 is placed in the same room as the appliance. The installation of such an alarm is not considered as a substitute for regular maintenance or servicing of the appliance and Flue system.

IN THE EVENT OF A CHIMNEY FIRE:

- Raise the alarm
- Call the Fire Brigade
- Close appliance air controls
- Move furniture, ornaments etc. away
- Place a fireguard in front of stove
- Check the chimney breast for signs of excessive heat.

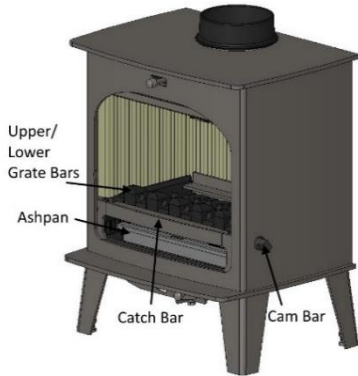
If the wall is becoming excessively hot, move furniture away.

Ensure the Fire Brigade can gain access to your roof space in order to check for fire spread.

Removing Internal Components

All internal components must be removed prior to fitting the stove. This will make handling the stove easier; allow access to fixings and the flue outlet; as well as protect the internal components from damage during the installation process.

LOVENHOLM/NORRESKOVEN/SONDESKOVEN



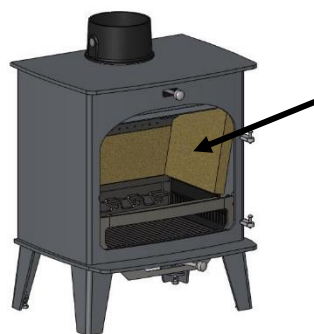
1. Open the door and remove the ashpan.
2. Remove the grate bars by lifting the front up off the cam bar and sliding forward off the rear grate support and lift out of the firebox.
3. Remove the cam bar by lifting the left-hand end of it upwards until it clears the side casting. Pull the left-hand end towards the front of the stove and then slide all the way out. Take care not to lose the cam hole plate.

Baffle/Throat Plate



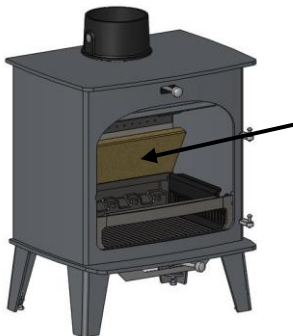
Lift the Baffle and slide to the left. When the right side of the Baffle clears the Baffle Support, lower the Baffle into the Fire Box and remove.

Side Bricks



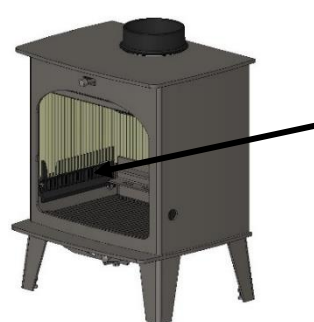
Lift the side brick and slide the base of the Side Brick towards the centre of the stove and remove. Repeat with other side.

Rear Brick



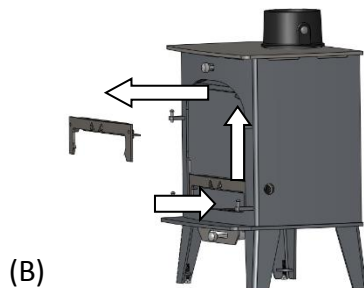
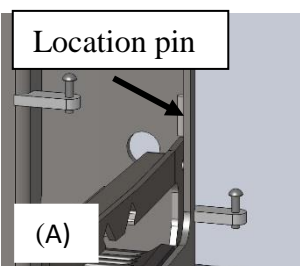
Pull the top edge of one of the Rear Bricks forward and lift the brick out of the Stove. Repeat with the other side.

Side Plates



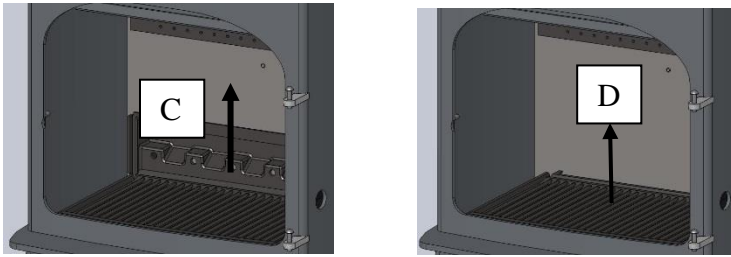
Remove Side Plate by lifting upwards and out.

Front Plate



Remove the front plate by lifting it out. On double-door stoves it will be necessary to push the front plate towards the back of the stove to free it from the locating pins (A) before lifting it out (B).

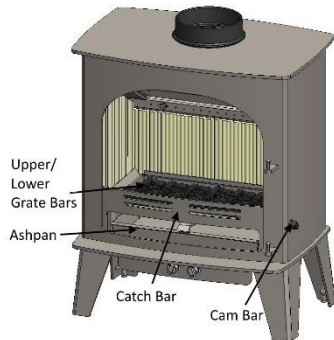
Rear and Base Casting



Remove both the rear casting (C) and base casting (D) by lifting up and out of the stove.

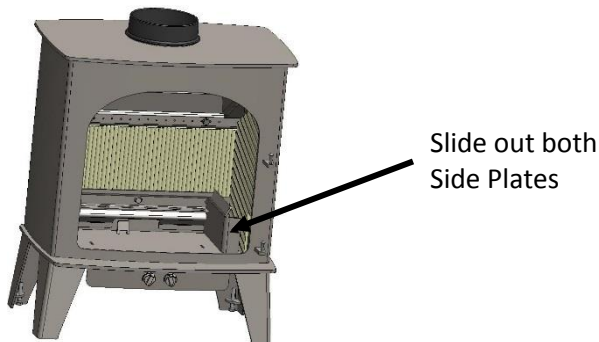
SKAGEN 5 AND 6 MODELS

All internal components must be removed prior to fitting the stove. This will make handling the stove easier; allow access to fixings and the flue outlet; as well as protect the internal components from damage during the installation process.

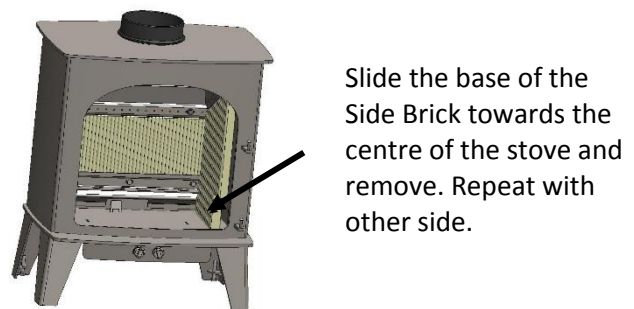


1. Open the door and remove the ashpan.
2. Remove the catch bar by lifting upwards and pulling forwards out of the stove body.
3. Remove the grate bars by lifting the front up off the cam bar and sliding forward off the rear grate support and lift out of the firebox.
4. Or remove the static grate by lifting up at the front and taking out of the firebox.
5. Remove the cam bar by lifting the left-hand end of it upwards until it clears the side casting. Pull the left-hand end towards the front of the stove and then slide all the way out. Take care not to lose the cam hole plate.

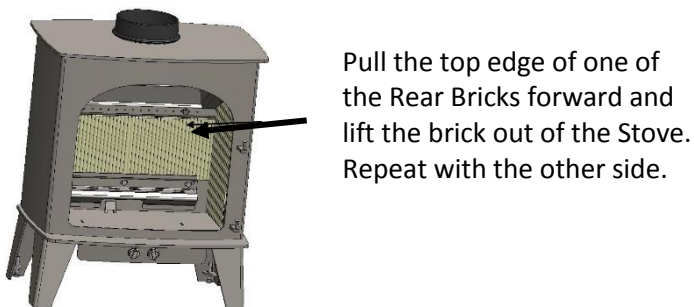
Side Plates



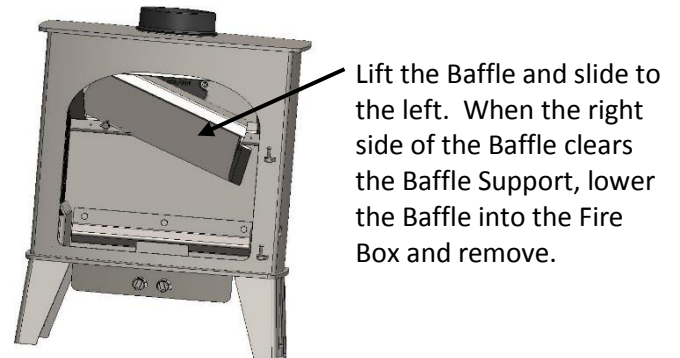
Side Bricks



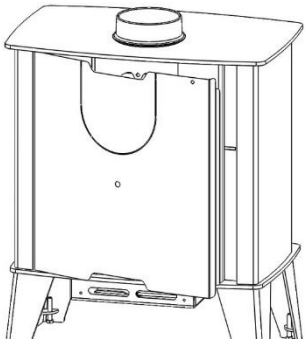
Rear Brick



Baffle/Throat Plate

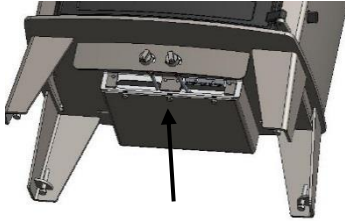


Removal of Heat Shield



To remove the heat shield, remove the button-head screw and then flex the heat shield by pulling the heat shield towards you until the right-hand edge clears the stove body and pops out. Lift the left-hand edge clear of the stove body and remove.

Air Controls



To remove the Air Valve Cassette, first adjust both control knobs to maximum open (turn fully clockwise). Then, undo the Air Valve Cassette retaining screw located under the Air Cassette Housing, and remove from the stove.

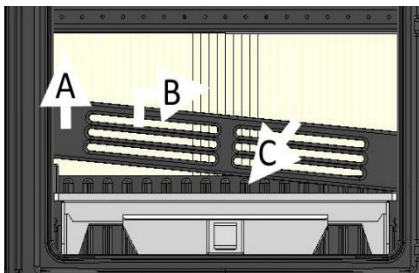


Carefully pull the control unit forwards and remove it from the stove. Before re-fitting, adjust the controls to maximum open. **Failure to do this will result in damage to the gasket material.** Refit the Air Cassette Retaining Screw.

NORDSTRAND

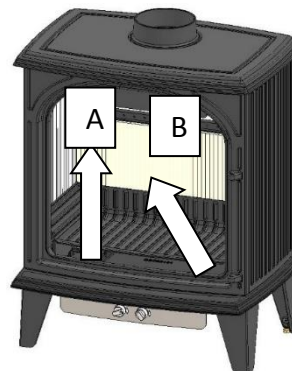
All internal components must be removed prior to fitting the stove. This will make handling the stove easier; allow access to fixings and the flue outlet; as well as protect the internal components from damage during the installation process.

Fuel Retainer



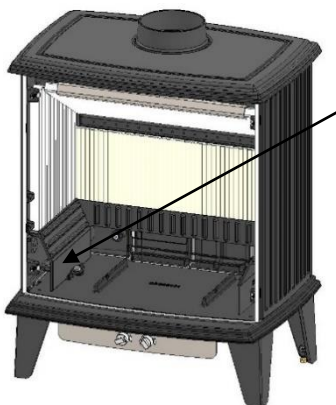
Open the door and remove the fuel retainer. (A) Lift upwards (B) tilt to the side (C) remove from body.

Bottom Plate



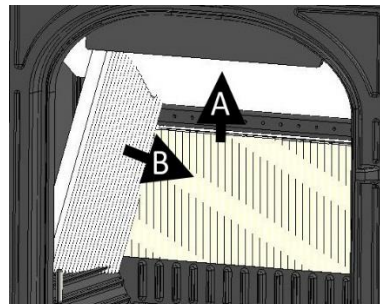
Bottom plate (A) Lift upwards (B) tilt to the side remove from body.

Side Plates



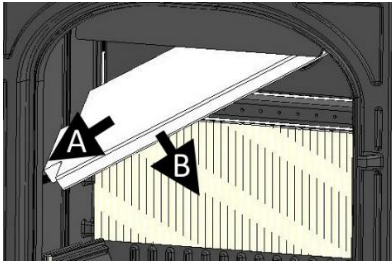
The side plates can be removed if needed by undoing the bolt and lifting out of the stove.

Side Bricks



Lift baffle (A) upwards and pull side brick (B) forward. Repeat with other side.

Baffle



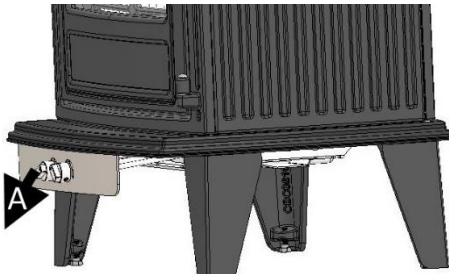
Tilt one side (A) towards base of stove and remove (B).

Rear Bricks



Rear brick (A) pull forward from top and (B) lift out of support and stove.

Air Controls

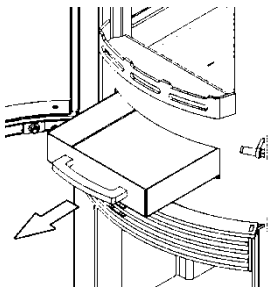


To remove the Air Valve Cassette, first adjust both control knobs to maximum open (turn fully clockwise). Carefully pull the control unit (A) forward and remove it from the stove. Before re-fitting, adjust the controls to maximum open. **Failure to do this will result in damage to the gasket material.**

STROMSTAD/ÄTTA/SJU

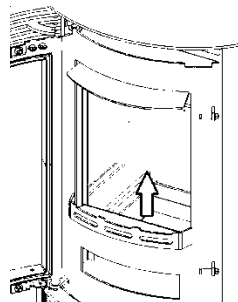
Open the door as detailed in the 'Operating Instructions' section.

Ashpan



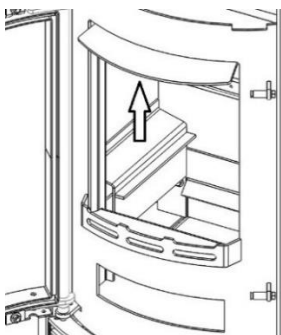
Remove the ash pan by simply pulling it out by its handle.

Grate



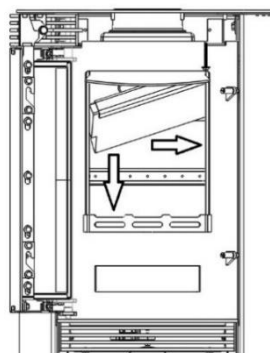
Remove the grate by lifting it out. It may be necessary insert your hand into the ash pan slot and push the grate upwards beforehand.

Side Plates



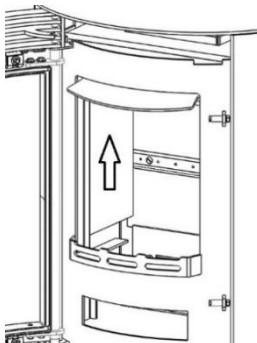
Remove the side plates by lifting them up.

Baffle Brick



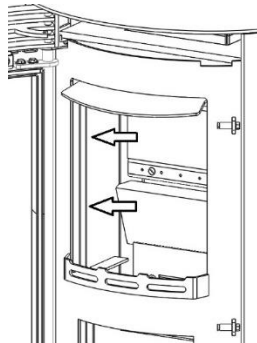
Remove the baffle brick by lifting it up, sliding it to the right and then lowering it into the firebox.

Side Bricks



Remove the two side bricks by lifting them up and then swinging them into the centre of the stove before removing.

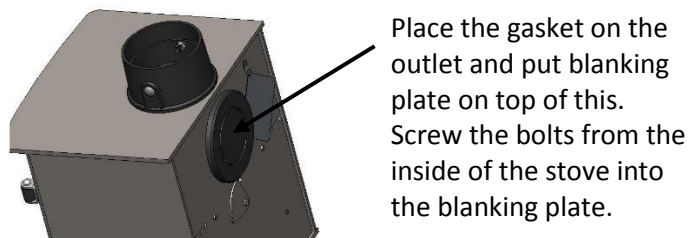
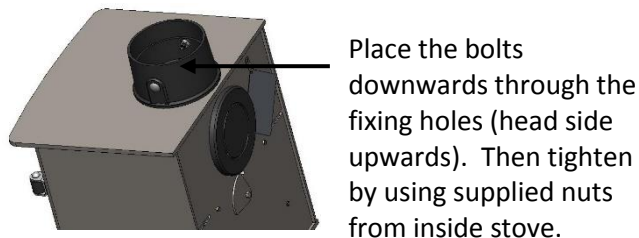
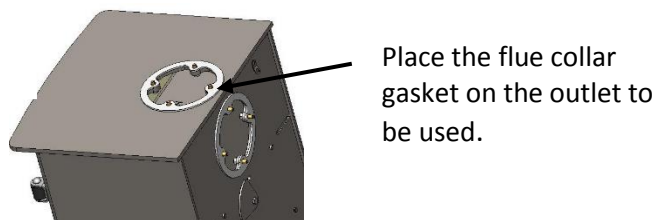
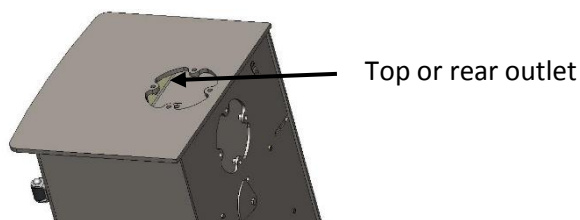
Rear Bricks



Remove the two rear bricks, noting their positions and orientation. The upper rear brick is completely free will lift out, but the lower rear brick will need tilting forwards before removal.

STOVE ASSEMBLY

Flue Collar/Blanking Plate – Lovenholm/Norreskoven/Sonderskoven/Skagen



SKAGEN 5 AND 6

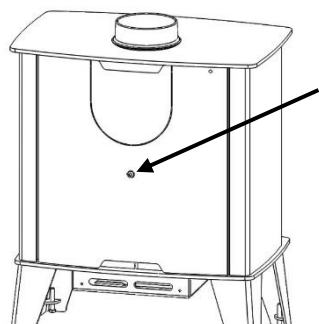
Rear Flue Pipe Installation

For rear flue installations, the knockout in the rear heat shield must be removed.



Remove the heat shield as instructed on Page 6. Carefully cut through the tabs holding the knockout section in the heat shield and remove. Carefully remove any sharp edges on the heat shield left behind by the tabs.

Fitting of Heat Shield

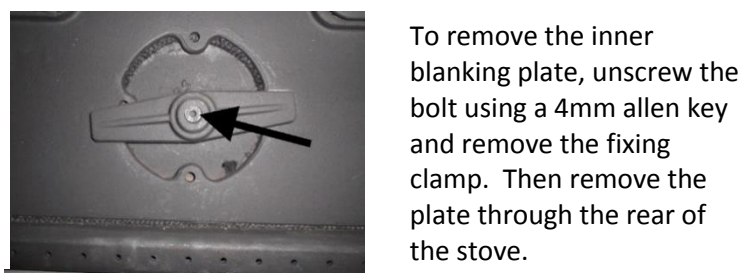
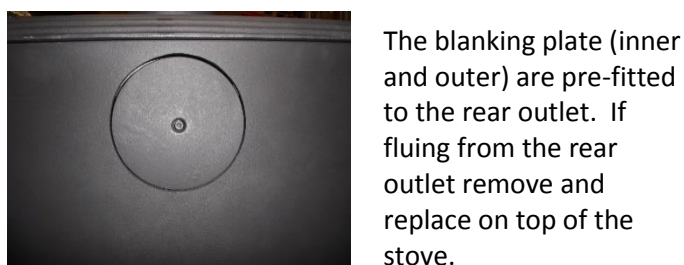
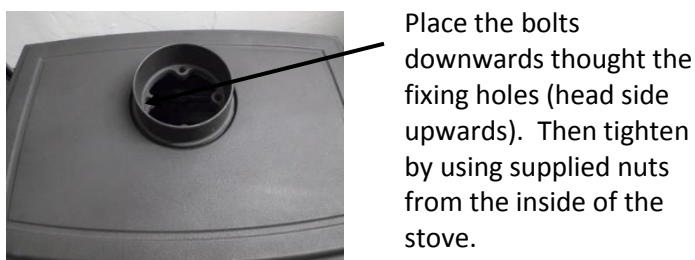
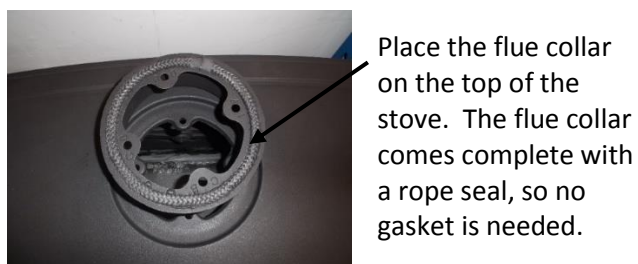


To fit the heat shield, position the left-hand edge and then flex the heat shield until the right-hand edge clears the stove body and pops into place. Insert and lightly tighten the supplied button-head screw to prevent any rattle

Do not over tighten the screw, as this will damage the heat shield.

NORDSTRAND 5

Flue Collar/Blanking Plate

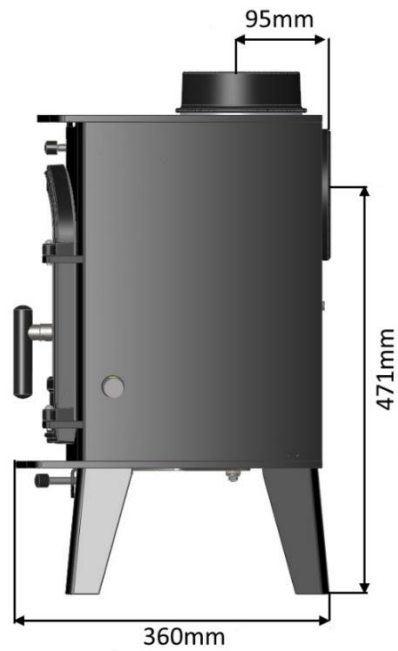
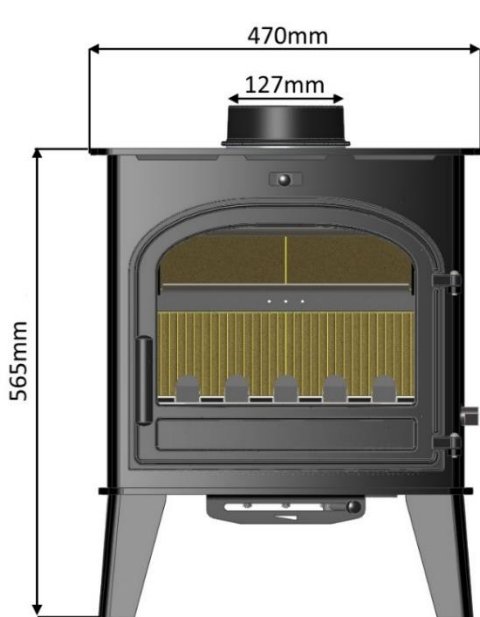


RE-ASSEMBLING THE STOVE

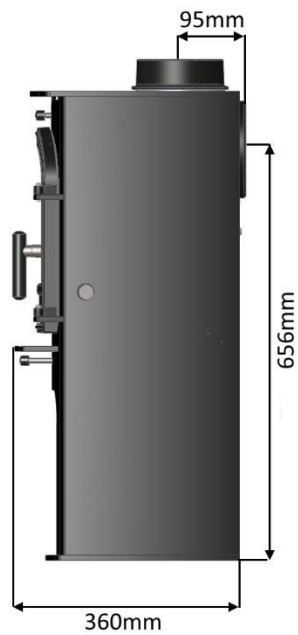
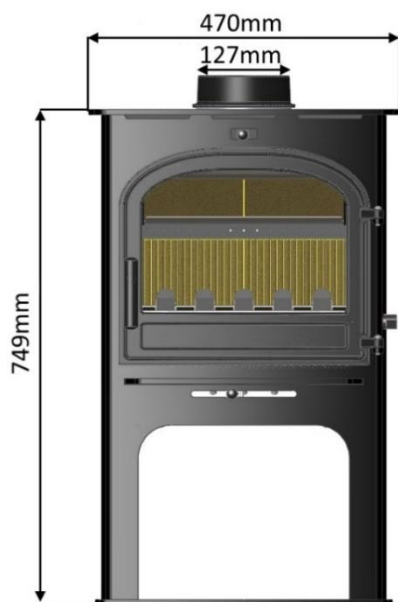
Refit all the internal parts by following the 'removing internal component' instructions in reverse order.

Appliance Dimensions

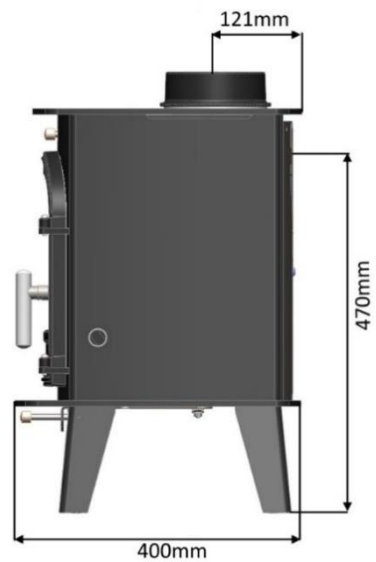
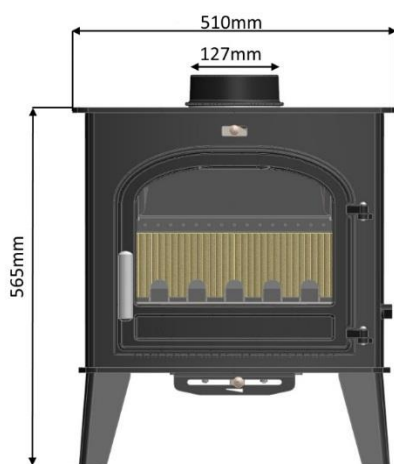
LOVENHOLM STANDARD



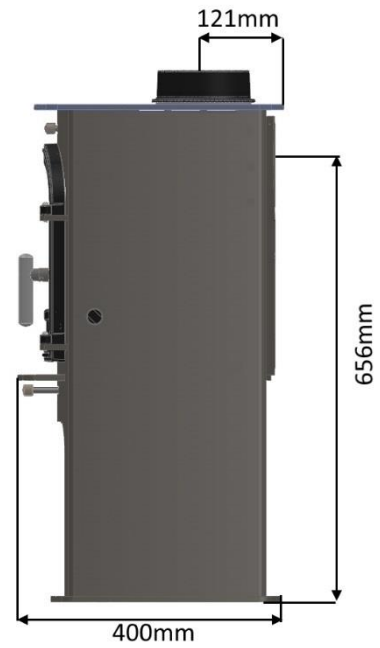
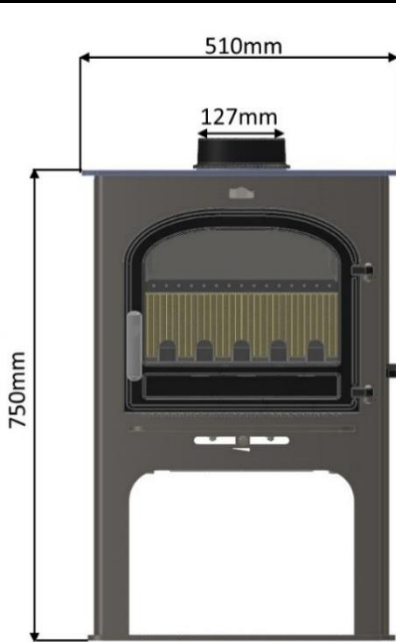
LOVENHOLM EUROPEAN



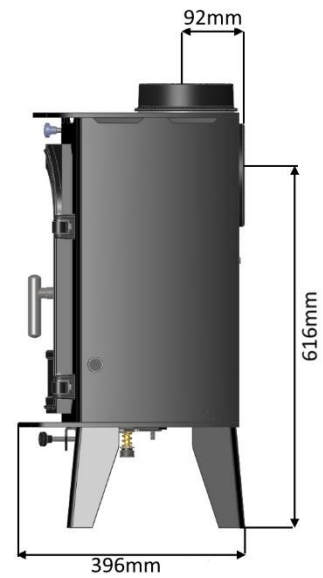
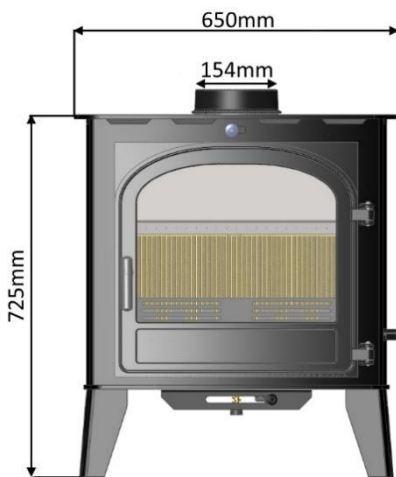
NORRESKOVEN STANDARD



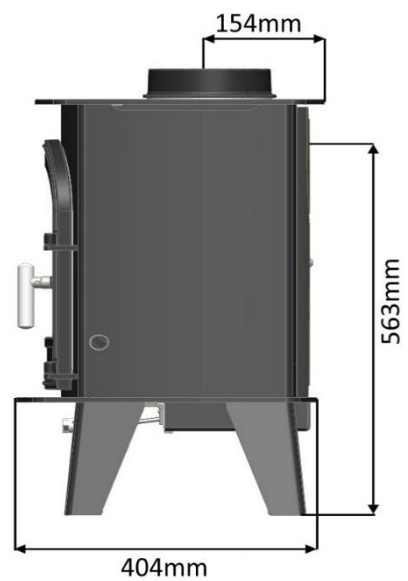
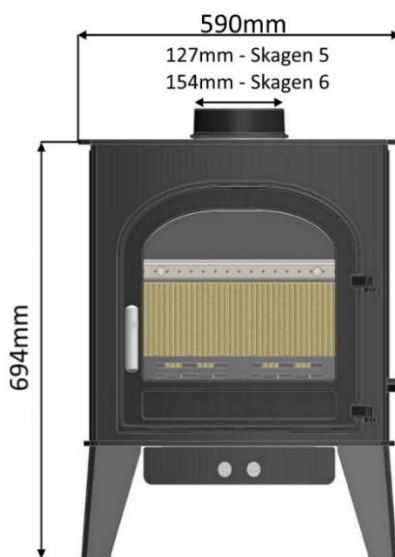
NORRESKOVEN EUROPEAN



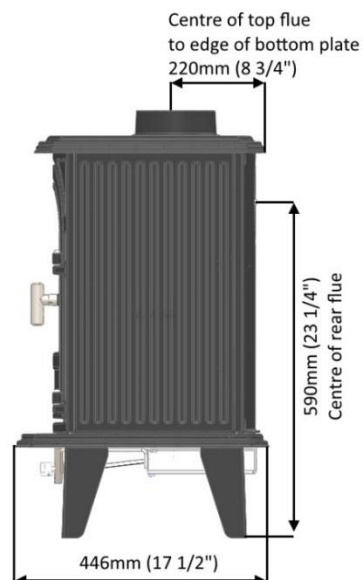
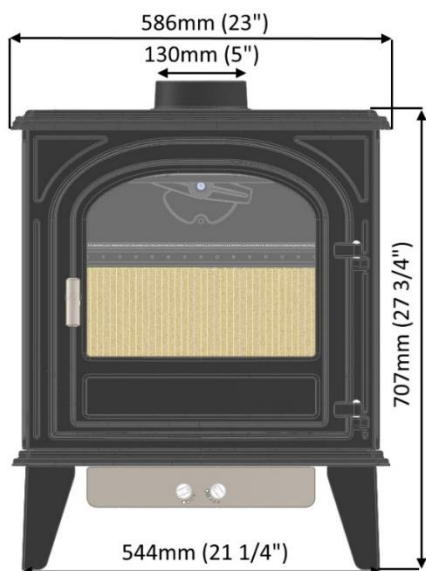
SONDERSKOVEN



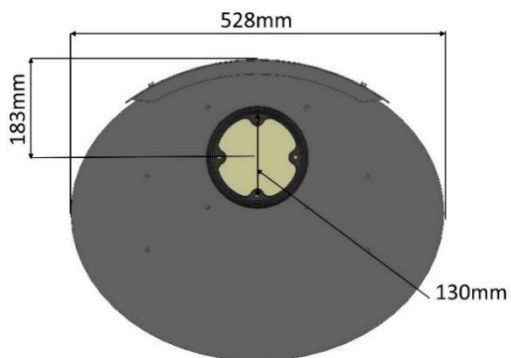
SKAGEN 5 AND 6



NORDSTRAND 5



STROMSTAD/ATTA/SJU **Top View (All)**



Side View (Stromstad)



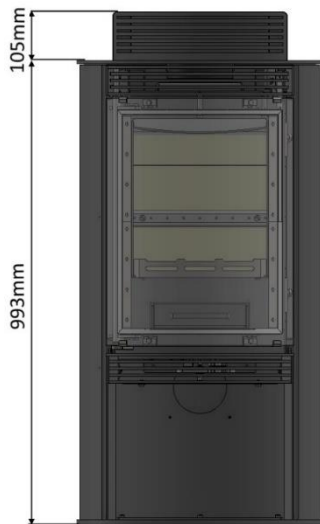
Side View (Atta)



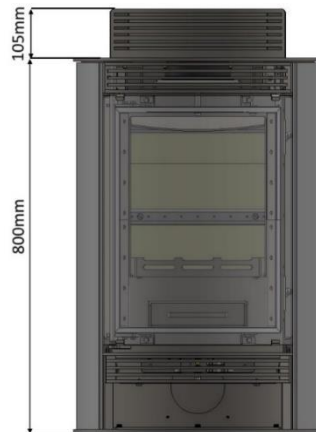
Side View (Sju)



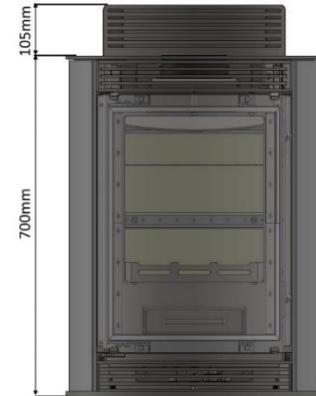
Front view (Stromstad)



Front View (Åtta)



Front View (Sju)



Pre-Installation Requirements

PLEASE CHECK THE FOLLOWING:

Any existing chimney/flue system must be confirmed as suitable for this appliance as defined in Building Regulations Document J. It must be swept and inspected, by a competent person (see notes), to confirm that it is structurally sound and free from cracks and obstructions.

The diameter of the Flue should not be less than 125mm and not more than $\varnothing 200\text{mm}$ – Lovenholm/Norreskoven/Skagen 5/Stromstad/Atta and Sjud and not less than 150mm and not more than $\varnothing 230\text{mm}$. Do not connect to systems that have large voids or spaces. If any of these requirements are not met, the chimney should be lined by a suitable method.

If the chimney is suspected of previously serving an open fire it must be swept again, within a month of regular use, to clear any soot that may have been dislodged due to the variation in combustion levels and higher flue gas temperature levels. The chimney/flue system exit must comply with Building Regulations Document J. The minimum height and should terminate in accordance with Table 1.

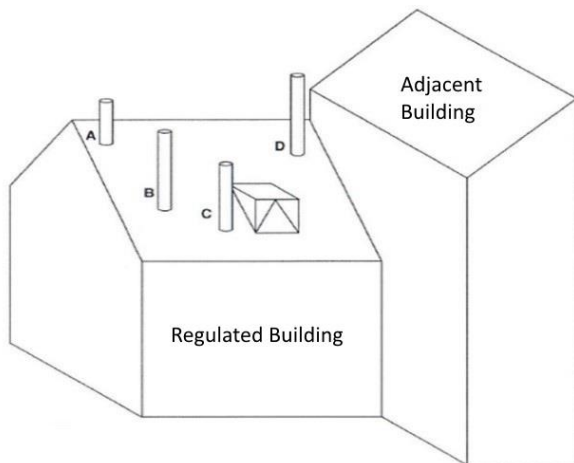
Connection To The Chimney

An existing fireplace opening can be bricked up or sealed with a register plate. A short length of flue pipe of minimum 125mm (Lovenholm/Norreskoven/Skagen 5/ Stromstad/Atta/Sju) and 150mm (Sonderskoven and Skagen 6) internal diameter may then be used to connect the stove to the chimney. This flue pipe should be made of 316 grade stainless steel or vitreous enamelled steel, nominal thickness 1.2mm. Ensure that the pipe end is no closer than 76mm to the chimney walls. The length of any horizontal run of flue pipe must not exceed 125mm (Lovenholm/Norreskoven /Skagen 5/Stromstad / Atta and Sju). It is essential that all connections between the stove and chimney-flue are sealed and made airtight.

Make provision to access the chimney/flue system for cleaning and the removal of debris. If there is no existing chimney then either a prefabricated block chimney in accordance with Building Regulations Approved Document J, or a twin-walled insulated stainless-steel flue to BS4543 can be used. These chimneys must be fitted in accordance with the manufacturer's instructions and Building Regulations. New masonry and flue block chimneys must meet the requirements of Building Regulations Document J. Any connecting flue pipe systems must also meet these regulations.

Please check the suitability of the fireplace and/or surround for use with this appliance before installing it. If you have any doubts about the suitability of your chimney, consult your local Dealer/Stockist or Installation Engineer. Both the chimney and flue pipe must be accessible for cleaning and if ANY part of the chimney cannot be reached through the stove (with baffle removed), a soot door must be fitted in a suitable position.

Flue Outlet Positions (Document J):



	Position on Roof	Clearances to flue exit
A	At or within 600mm of the ridge	At least 600mm above the ridge
B	Elsewhere on a roof (Pitched or Flat)	At least 2.3 M horizontally from the nearest point on the weather surface and: a) At least 1.0 M above the highest point of intersection between the chimney and weather surface; or b) at least as high as the ridge
C	Below (on a pitched roof) or within 2.3 M horizontally to an opening window or dormer	At least 1.0 M above the top of the opening
D	Within 2.3 M of an adjoining or adjacent building, whether or not beyond the boundary	At least 600mm above any part of the adjacent building within 2.3 M

Table 1.

A full copy of Document J can be found here: http://www.planningportal.gov.uk/uploads/br/BR_PDF_ADJ_2010.pdf

Legal Requirements

Hunter Stoves Group requests that before installation and/or use of this appliance that you read these instructions carefully to ensure that all the relevant requirements are fully understood.

These instructions cover the basic principles to ensure satisfactory installation of the stove, although detail may need slight modification to suit particular local site conditions. In all cases the installation must comply with current Building Regulations, Local Authority Byelaws, European and National Standards and other specifications or regulations as they affect the installation of the stove.

It should be noted that the Building Regulations requirements may be met by adopting the relevant recommendations given in British Standards BS 8303, BS 6461 and BS 7566 as an alternative means to achieve an equivalent level of performance to that obtained following the guidance given in Approved Document J.

Your local Building Control Officer can advise you regarding the interpretation of the Regulations should there be any questions. This appliance must be installed by a Registered Installer (see Competent Persons Scheme) or approved by your local Building Control Officer.

All works undertaken must be carried out with due care and attention to meet the requirements of the Health & Safety code of practice and any other legislation that may have been introduced since the publication of these instructions.

Competent Persons Scheme

Members of the following schemes may self-certify the installation of this stove. If the installer is not a member of one of these schemes, your local Building Control Department must approve the installation.

Scheme	Web address	Telephone
APHC (Association of Plumbing and Heating Contractors (Certification) Limited)	www.aphc.co.uk	02476 470 626
Building Engineering Services Competence Accreditation (BESCA Limited)	www.hvca.org.uk / www.besca.org.uk	0800 652 5533
HETAS Ltd (Heating Equipment Testing and Approval Scheme)	www.hetas.co.uk	01462 634721
NAPIT Registration Ltd	www.napit.org.uk	0870 444 1392
NICEIC Group Ltd	www.niceic.org.uk	0800 013 0900

Air Supply

The room or space containing the Lovenholm, Norreskoven, Skagen 5, Nordstrand, Stromstad, Atta and Sju appliances do not need a permanent, unobstructed air opening.

The following needs a permanent unobstructed air opening of at least –
 Sonderskoven – 1320mm²
 Skagen 6 – 550mm²

If a draught stabiliser is fitted, the air opening should be at least –
 Lovenholm – 1380mm²
 Norreskoven – 1320mm²
 Sonderskoven – 3660mm²
 Skagen 5 – 1440mm²
 Skagen 6 – 2350mm²
 Nordstrand 5 – 1350mm²
 Stromstad/Atta/Sju – 1410mm²

Due consideration should be given to air requirements for any other appliance in the same room or space.
 Any air opening must be kept clear from blockage or obstruction.

Hearth/ Material Clearances

Hearth constructions must comply with the current building regulations. Your stove must be installed on a floor with adequate load-bearing capacity, otherwise suitable measures should be taken.

If the existing construction does not meet this pre-requisite, suitable measures (e.g. load distributing plate).

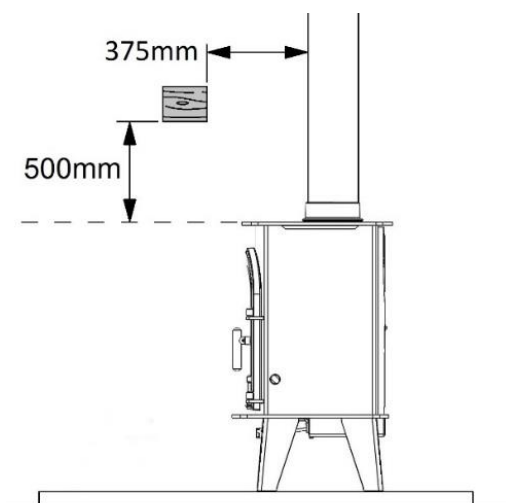
Care should be taken to level the stove using the adjusting screws in the feet.

Material Clearances

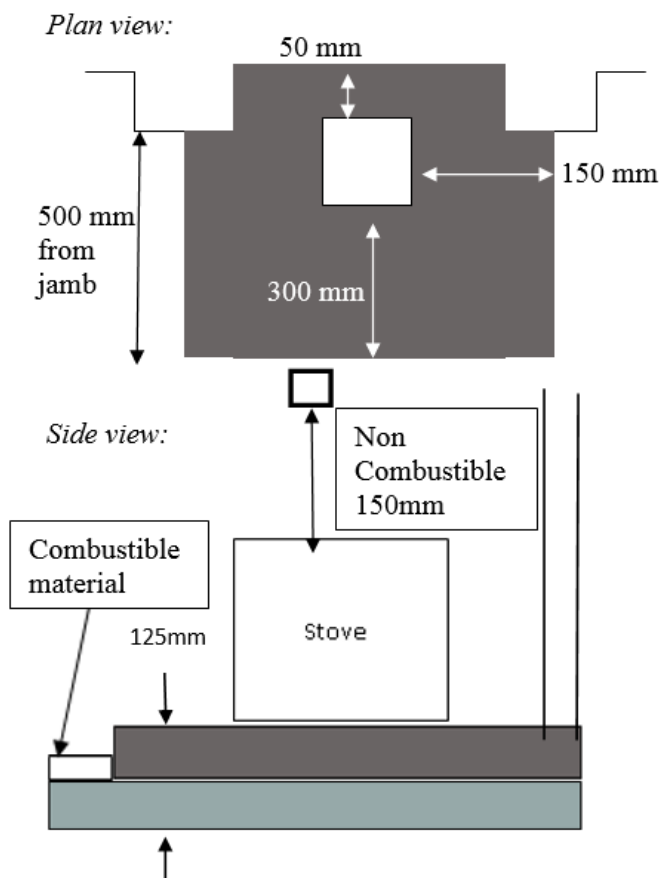
Minimum Distances to Combustible Material	Lovenholm	Norreskoven	Sonderskoven	Skagen 5/6	Nordstrand 5	Stromstad/Åtta/Sju
Behind the stove	600mm	450mm	700mm	250mm	700mm	15mm (Behind heat shield)
At the side of the stove	450mm	400mm	450mm	200mm	700mm	180mm (If side wall protrudes in front of the stove.)
In front of the stove	900mm	700mm	900mm	5 – 850mm 6 – 800mm	900mm	900mm

Note: combustible material refers to any material that will degrade when subjected to heat e.g. plaster.
 No combustible material must be stored underneath the stove.

Minimum Distances To A Combustible Beam – Skagen 5 only



Fireplace Recess All

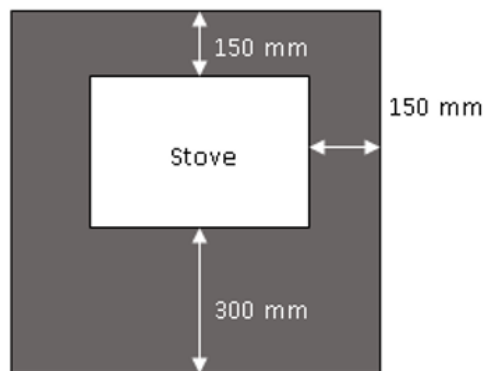


The stove can be recessed in a suitable sized fireplace but a permanent free air gap of at least 150mm on top and 50mm at the sides (although we recommend 150mm for the sides and 50mm at the back of the stove to obtain maximum heat output and for access to the rear of the stove.)

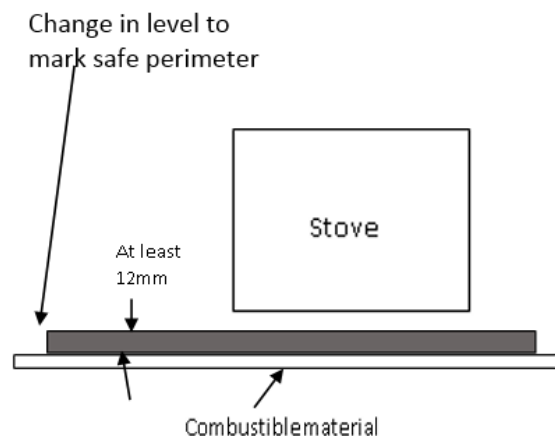
The hearth should extend at least 300 mm from the front of the stove. The stove should stand wholly above a solid, non-combustible hearth, at least 125 mm thick (this may include the thickness of a solid floor and a non-combustible decorative hearth).

Free-Standing All

Plan view:



Side view:



If the stove is not to stand in a recess, it may stand wholly above a hearth made of non-combustible board / sheet material or tiles, at least 12mm thick. The hearth should extend at least 150 mm from the sides and rear of the stove, and at least 300 mm from the front of the stove.

All walls shown in the above diagrams are non-combustible unless otherwise indicated. All non-combustible walls closer than 300mm to the stove should be at least 75mm thick.

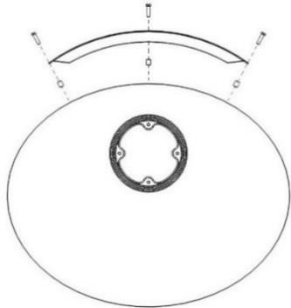
Installation Requirements/Procedure

STROMSTAD/ÄTTA/SJU

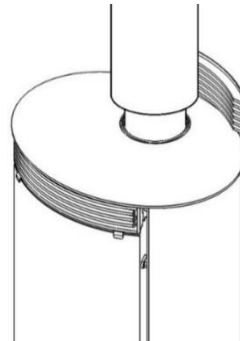
Direct Air Adaptor

If fitting the direct air adaptor kit, read the instructions supplied with the kit before proceeding. Please note that Direct Air is not available on the Strömstad Sju model.

Top Flue Installation

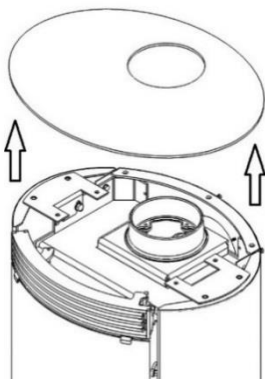


If installing against a combustible wall, fit the heat shield to the rear of the stove using the supplied fixings.

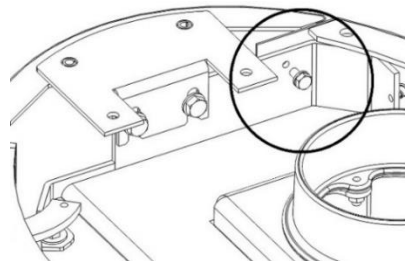


- 1 - Offer the stove into position.
- 2 - Connect the flue, ensuring all joints are sound.

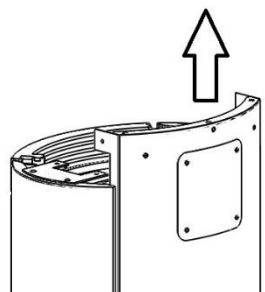
Rear Flue Installation



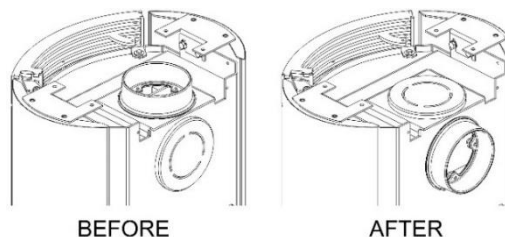
Remove the top plate by simply lifting it off.



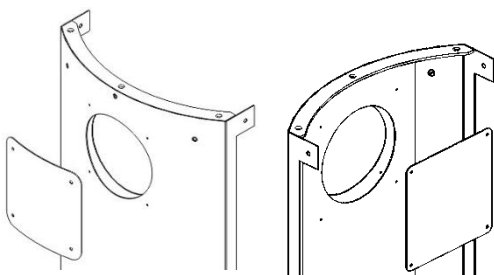
Remove the two back panel retention screws.



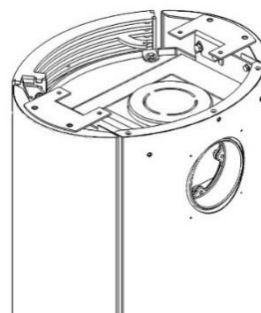
Lift the back panel to remove it



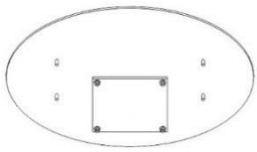
Swap the flue collar and blanking plate around. To do this you may need to open the stove door, as detailed in the 'Operating Instructions' section.



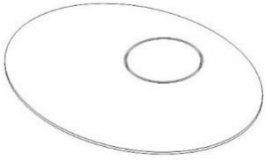
Remove the upper blanking plates from the inside and outside of the back panel.



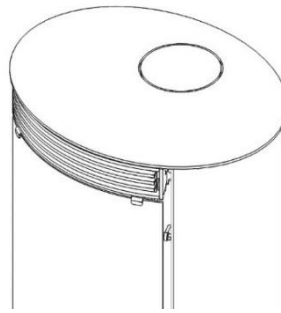
Refit the back panel and retention screws.



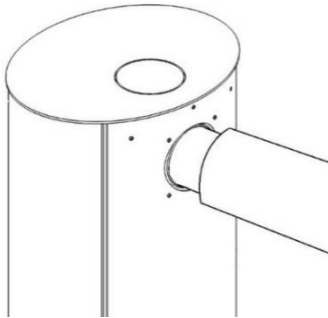
Fit the upper flue infill to the top plate using the supplied fixings.



Refit the top plate.

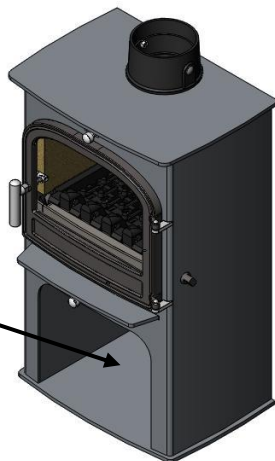


- 1 – Offer the stove into position.
- 2 – Connect the flue, ensuring all joints are sound.



Fuel Storage

LOVENHOLM/NORRESKOVEN/STROMSTAD



Log storage recess

Fuel may be placed in the log storage recess underneath the European variant. The logs should be stacked in such a way that they do not touch the heat shield at the top of the recess.

Important! – Fuel must not be stored underneath the Traditional variant.

Please note that the above DOES NOT apply to the Atta and Sju models.

Fuel may be stored in the log recess underneath the stove. The logs should be stacked in such a way that they do not touch the heat shield at the top of the recess.

Warning!

The log store recess in European stoves has been designed and tested to satisfy the requirements of BS EN 13240 with both the ashpan and multi-fuel grate in place. Under no circumstances should a Euro stove be used without the ashpan or multi-fuel grate in place. Lovenholm/Norreskoven Euro/Stromstad stoves must not be converted to dedicated wood burning appliances (i.e. no ashpan or multi-fuel grate).

Commissioning & Handover

Appliance Check

Please check that all components are correctly assembled and working correctly.

Ensure the Air Controls are working correctly.

Hunter Stoves Group recommend that you carry out a smoke draw test to check the soundness of the chimney/flue system and seals:

Place a Smoke Pellet in the centre of the Grate, ensure that all of the Air Controls are fully open and close the Door.

The smoke should now be drawn up the chimney and you should be able to see it exit from the chimney/flue terminal.

We recommend that you do this test with all of the windows and doors, to the room where the appliance is fitted, closed.

If there any adjoining room(s) that have an Extractor Fan fitted, open the adjoining door to ensure that the chimney/flue system is not compromised when the fan is operating. If there is a ceiling fan fitted in the room, please operate it and ensure that it does not affect the operation of the chimney/flue system.

If any of these tests fail, please re-check the suitability of the chimney/flue system together with the ventilation.

A small fire can now be lit and allow the appliance to heat up slowly ensuring that no products of combustion enter into the room.

Carry out a spillage test using a smoke match around the door opening. If there is excessive spillage, please allow the appliance to cool and then re-check the chimney/flue system and ventilation.

Do not run the stove at full output for at least 24 hours.

On completion of the commissioning:

Upon completion, allow a suitable period of time for any fire cement and mortar to dry out.

Please instruct the user on the safe operation of this appliance, how the controls work and basic maintenance requirements.

Ensure that the operating instructions and appliance tools are left with the customer and the check lists have been filled out correctly.

Please advise the customer on the correct use of the appliance with the fuels likely to be used on the stove and warn them to use only the recommended fuels for the stove.

Advise the user on what to do should smoke or fumes be emitted from the stove.

The user should be warned to use a fireguard to BS8423 in the presence of children, aged and/or infirm persons.

Hunter Stoves Group also recommend that a CO alarm is fitted into the room where the appliance is located.

Flue Draught

If the draught exceeds the recommended maximum, a draught stabiliser must be fitted so that the rate of burning can be controlled and to prevent over firing.

If the reading is less than the recommended minimum, then the performance of the appliance will be compromised. The flue draught should be checked under fire at high output with windows and doors closed.

Minimum Draught – 1.2mm Water Gauge

Maximum Draught – 2.5mm Water Gauge

The Clean Air Act 1993 And Smoke Control Areas

Under the Clean Air Act local authorities may declare the whole or part of the district of the authority to be a smoke control area. It is an offence to emit smoke from a chimney of a building, from a furnace or from any fixed boiler if located in a designated smoke control area. It is also an offence to acquire an "unauthorised fuel" for use within a smoke control area unless it is used in an "exempt" appliance ("exempted" from the controls which generally apply in the smoke control area).

In England appliances are exempted by publication on a list by the Secretary of State in accordance with changes made to sections 20 and 21 of the Clean Air Act 1993 by section 15 of the Deregulation Act 2015. Similarly, in Scotland appliances are exempted by publication on a list by Scottish Ministers under section 50 of the Regulatory Reform (Scotland) Act 2014.

In Northern Ireland appliances are exempted by publication on a list by the Department of Agriculture, Environment and Rural Affairs under Section 16 of the Environmental Better Regulation Act (Northern Ireland) 2016.

In Wales appliances are exempted by regulations made by Welsh Ministers.

Further information on the requirements of the Clean Air Act can be found here: <https://www.gov.uk/smoke-control-area-rules>

Your local authority is responsible for implementing the Clean Air Act 1993 including designation and supervision of smoke control areas and you can contact them for details of Clean Air Act requirements.

The Lovenholm/Norreskoven/Skagen 5 & 6/Stromstad/Atta and Sju have been recommended as suitable for use in smoke control areas when burning wood logs. The Nordstrand 5 is an exempt appliance suitable for burning wood logs in a smoke control area, this appliance meets the CAA requirements without any changes needed to the air controls.

Refuelling on to a low fire bed

If there is insufficient burning material in the firebed to light a new fuel charge, excessive smoke emission can occur. Refuelling must be carried out onto a sufficient quantity of glowing embers and ash that the new fuel charge will ignite in a reasonable period. If there are too few embers in the fire bed, add suitable kindling to prevent excessive smoke.

Fuel overloading

The maximum amount of fuel specified in this manual should not be exceeded, overloading can cause excess smoke.

Operation with door left open

Operation with the door open can cause excess smoke. The appliance must not be operated with the appliance door left open except as directed in the instructions.

Dampers left open

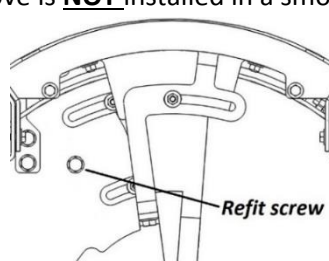
Operation with the air controls or appliance dampers open can cause excess smoke. The appliance must not be operated with air controls, appliance dampers or door left open except as directed in the instructions.

Removing Smoke Control Stop – Stromstad/Åtta/Sju

The Stromstad, Atta, Sju has been fitted with a stop to prevent the secondary air valve from completely closing. **If the stove is installed in a Smoke Control Area, THIS STOP MUST NOT BE REMOVED.** If the stop is removed the appliance is **NO LONGER EXEMPT FOR USE IN SMOKE CONTROL AREAS.** Doing so may leave the householder liable for a **FINE OF UP TO £1000.**

Smoke Control Stop Removal

The following procedure should only be carried out if the stove is **NOT** installed in a smoke control area.



Operating Instructions

Read the 'General Guidance' Section at the start of these instructions before operating your stove for the first time.

Allow sufficient clearance between the stove and pictures, plasma screen televisions or ornaments etc., as these could be damaged and could potentially create a fire hazard (For more information read the 'Material Clearance' section of these installation instructions).

WARNING – This appliance will be hot when in operation and due care should be taken. The supplied operating tool or gloves may be used to open the door and operate the air controls.

Please Note

Your Building Insurance Company may require you to inform them of this new installation and that the work has been carried out correctly. Please check your policy to ensure that it is still valid when this installation is complete.

Using The Appliance For the First Time

SAFETY ADVICE

During the first operation it is highly likely that fumes and smells may be produced as part of the normal heat resistant paint curing process, much like a domestic oven. Therefore, good ventilation during this process is of utmost importance. We recommend that pregnant women, allergic persons and small children as well as domestic animals, especially birds, should not unnecessarily stay in subjected areas.

When being heated up for the first time, smells and fumes are often produced. This is a normal chemical process that allows the specialist heat resistant paint to cure and harden. Please arrange for good ventilation of the room. Open windows and doors and if necessary, use a ventilator for fast interchange of air. Heat up to operation temperature for at least one hour. If maximum temperature is not achieved after heating up, release of odour may appear later.

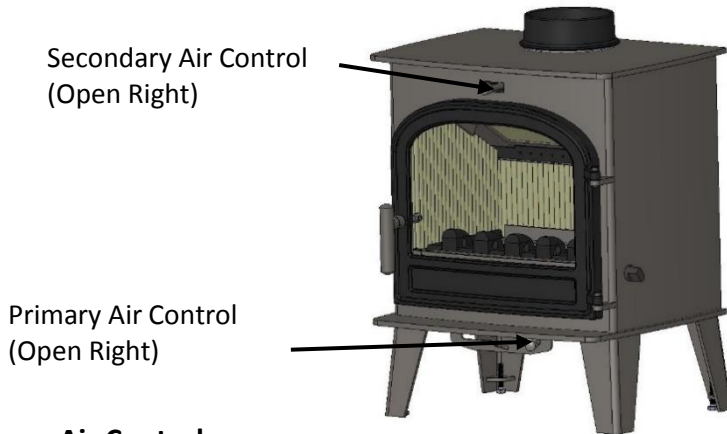
Aerosols

Do not use an aerosol spray on or near the stove when it is alight.

Air Controls

LOVENHOLM/NORRESKOVEN/SONDERSOVEN

This stove has been designed to burn far more efficiently than a traditional stove, with the obvious notable feature of clean glass. However, for this product to work properly it must be used correctly. It is essential that the stove has an adequate air supply for combustion and ventilation.



Primary Air Control

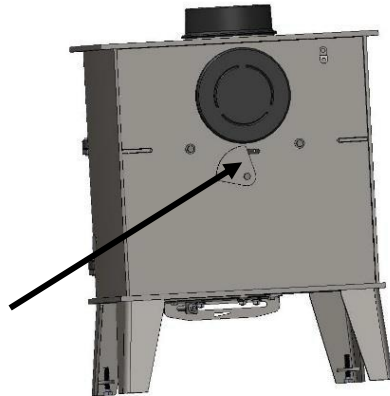
The slider under the ash-lip of the stove controls the Primary Air. This provides a conventional air draught to the bed of the fire. The control is open when the slider is pushed to the right of the stove.

Secondary Air Control

Secondary air is controlled via the slider above the doors; it is this “Airwash” that keeps a clean and uninterrupted view of the fire. The control is open when the slider is pushed towards the right of the stove.

Tertiary Air Control

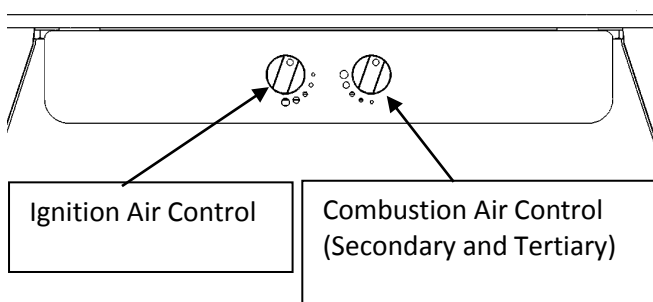
Tertiary air aids in good secondary combustion of the fuel and reduces emissions into the chimney and environment. Adjusting the cover plate on the back of the stove can control tertiary air.



NORDSTRAND/ SKAGEN 5/6

This stove has been designed to burn far more efficiently than a traditional stove, with the obvious notable feature of clean glass.

However, for this product to work properly it must be used correctly. It is essential that the stove has an adequate air supply for combustion and ventilation.



Ignition Air Control

Regulates air flow directly into the firebed. This is used when lighting from cold or when reviving a fire that has nearly burnt out. Turn clockwise to open and anti-clockwise to close. **IMPORTANT – The ignition air control must be closed once the fire is established.**

Combustion Air Control

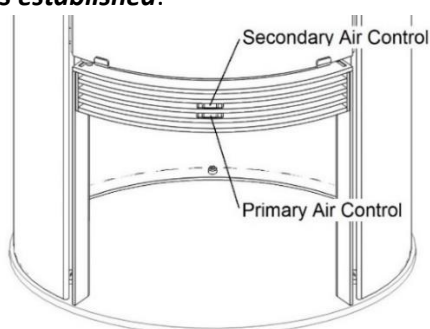
Regulates the flow of air downwards into the combustion chamber via the airwash (airflow over the inside of the glass) and the tertiary air inlet (air inlet holes in the back of the firebox). Turn clockwise to open and anti-clockwise to close. **This control is used to regulate the burn rate and therefore heat output of the stove.**

Warning! – This Appliance will be hot when in operation and due care should be taken.

We advise that suitable gloves are used when operating the air control, and when opening the door.

STROMSTAD/ÄTTA/SJU

Regulates air flow directly into the firebed. This is used when lighting from cold or when reviving a fire that has nearly burnt out. Slide to the right to open and to the left to close. **IMPORTANT – The primary air control must be closed once the fire is established.**



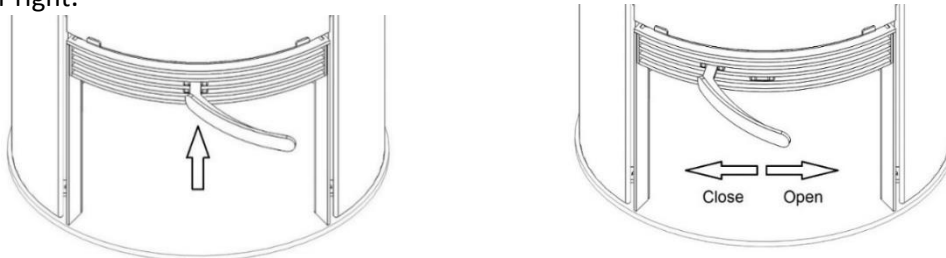
Secondary Air Control

Regulates the flow of air downwards into the combustion chamber via the airwash (airflow over the inside of the glass) and the tertiary air inlet (air inlet holes in the back of the firebox). Slide to the right to open and to the left to close. **This control is used to regulate the burn rate and therefore heat output of the stove.**

Warning! – This Appliance will be hot when in operation and due care should be taken.

We advise that suitable gloves are used when operating the air control, and when opening the door.

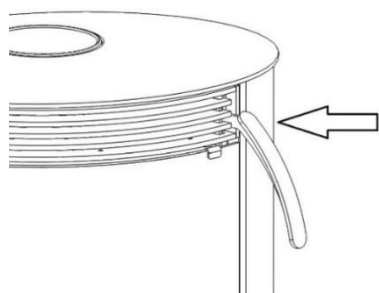
To operate the air controls, insert the end of the operating handle into either of the sockets as shown and slide to the left or right.



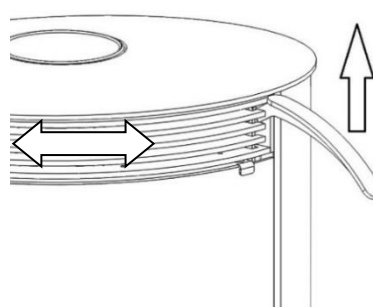
Opening the Stove Door

If the stove is hot, please ensure that you wear the supplied gloves when opening the door.

To open the stove door, insert the end of the operating handle into the socket located on the right-hand side of the slats above the glass as shown.



To open the stove door, insert the end of the operating handle into the socket located on the right-hand side of the slats above the glass as shown.



Lift the handle upwards to release the locking mechanism and swing the door open, ensuring to keep the handle lifted.

The door is fitted with a safety spring that will pull the door closed when it is not being held open.

When closing the door, lift the handle upwards once again until the hooks on the door have cleared the rollers on the stove body and then push the handle downwards to re-engage the locking mechanism and seal the door.

Lighting the Stove

ALL

Open both air controls fully and light one or two firelighters placed centrally on the bottom grate, allowing the flames to become established before placing several pieces of small dry kindling in a criss-cross fashion above the firelighters, taking care not to smother the fire.

Close the stove door. Once the kindling is well alight open the door and build the fire by gradually adding slightly larger pieces of wood, closing the door afterwards.

LOVENHOLM/NORRESKOVEN/SONDESKOVEN

Once you have a good fire established across the grate bed, further fuel can be added as necessary and the air controls set to the correct position.

Should the fire fail to light correctly open the door and use a poker to spread the fuel across the grate. Close the door and allow the fuel and stove to cool before attempting to relight the fire.

Once you have a good fire established across the grate bed, further fuel can be added as necessary and the air controls set to the correct position.

Should the fire fail to light correctly open the door and use a poker to spread the fuel across the grate. Close the door and allow the fuel and stove to cool before attempting to relight the fire.

NORDSTRAND/SKAGEN 5/6

Once the fire is established close the Ignition Air Control (anti-clockwise) and add more fuel as necessary. The Combustion Air control can now be used to regulate the burn rate of the stove.

Should the fire fail to light correctly open the door and use a poker to spread the fuel across the grate. Close the door and allow the fuel and stove to cool before attempting to relight the fire.

Reduced Combustion

In order to shut down the stove, close the primary control, then close the secondary air by turning the knobs fully anti-clockwise.

If the controls are left in this position, the fire will be starved of air and will die down.

If you want to revive the fire it is recommended that the primary air control is open first, and then operate the secondary air control.

STROMSTAD/ÅTTA/SJU

Once the fire is established close the Primary Air Control (slide to the left) and add more fuel as necessary. The Secondary Air control can now be used to regulate the burn rate of the stove.

Should the fire fail to light correctly open the door and use a poker to spread the fuel across the grate. Close the door and allow the fuel and stove to cool before attempting to relight the fire.

Recommended Settings

Once the fire is established the Primary Air Control should be fully closed and the Secondary Air Control adjusted to a setting of approximately 40 -50% open. This setting should allow the nominal output and efficiency to be achieved.

Avoid running the stove on very low air settings as this could result in a reduction in efficiency and increase emissions into the atmosphere.

ALL

N.B. Leaving the air controls in the closed position, adding too much fuel or using wood that is wet or too large will prevent the fire from establishing correctly and may result in smoke emission from the stove.

Warning! – This Appliance will be hot when in operation and due care should be taken.

We advise that suitable gloves are used when operating the air control, and when opening the door.

Locomotive Grate

LOVENHOLM/NORRESKOVEN/SONDESKOVEN/SKAGEN 5 & 6

Grate Operation & Burning Wood

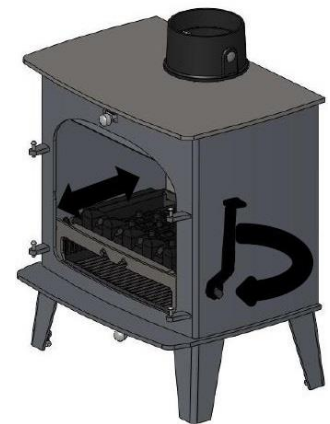
Your Lovenholm/Norreskoven/Sonderskoven/Skagen 5 & 6 are fitted with a locomotive type grate. So that de-ashing can be carried out cleanly and easily, it is riddled from the outside of the stove with the doors closed.

To burn wood, push the operating tool up and away from you.

When left in this position, air is restricted through the bed of the fire providing a solid base to build up a bed of ash.

Surplus ash can be removed either by gentle riddling or with a shovel.

It might prove beneficial when burning more reactive fuels to leave the grate in a "neutral" position, thus directing some under fire air and some over fire air to the fire bed.



Grate Operation & Burning Solid Mineral Fuels

To burn solid mineral fuels, place the operating tool over the riddling spigot and pull it towards you. When left in that position, air is directed under and up through the slots in the firebed, giving the optimum conditions for burning solid fuels.

It is important that the riddling tool is used to remove the ash to ensure airflow through the fire bed and allow the fire to burn over the entire area of the grate. The ashpan should be emptied at least daily and ash should never be allowed to build up over a period of time as this will result in damage to the fire bars. The flat end of the riddling tool can be used to carry the ashpan.

Loading The Appliance (Solid Mineral Fuel)

Solid mineral fuel should be placed in the stove so that there is no more than a 30° incline of the fuel bed from front to back. It should **not** be stacked above the level of the rear firebrick as this may result in damage to the stove. With a full load of fuel, the stove will need to be refuelled approximately once every 4 hours.

Air Controls (Solid Mineral Fuel)

Solid mineral fuel burns most efficiently with the secondary air control in the closed position. Always de-ash before refuelling and do not let the ash level reach the underside of the grate bars. Solid mineral fuel produces ash, which if allowed to build-up will stifle the airflow through the Primary air inlets and grate. This will eventually cause the fire to die. With some solid mineral fuels, a residue of burnt fuel or clinker will accumulate on the grate, allow the fire to go out periodically to remove this.

IMPORTANT!

We cannot stress firmly enough how important it is to empty the ashpan regularly. Air passing through the fire bed cools the grate bars. Distortion or burning out the grate bars is nearly always caused by ash being allowed to build up to the underside of the grate.

Extended Burning (Solid Mineral Fuel)

The stove can be banked up for extended burning. When burning solid fuel, empty the ashpan. Open air controls and let the fire burn brightly for a short period. Refuel and close both air controls, the exact setting required will depend on the fuel used and the chimney draw so some practice may be necessary.

To revive the fire, open the air controls until the fire is burning brightly de-ash if necessary and refuel. Set air controls as required.

Never leave the stove unattended until you are certain that the flames are fully established.

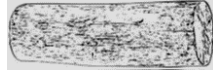
Should the fire fail to light correctly open the door and use a poker to spread the fuel across the bottom of the firebox. Close the door and allow the fuel and stove to cool before attempting to relight the fire.

Notes on Woodburning

Wood burns most efficiently with the primary air control in the closed position and the secondary air control approximately 60% open. Moving the secondary air control will control the burn rate of the Stove. The secondary air control should not be completely closed unless the primary air lever is also in the closed position.

Wood burns best on a bed of ash and it is therefore only necessary to remove surplus ash from on top of the grate occasionally. Do not let the ash level under the grate reach above the primary air inlet. If allowed to build-up, ash will stifle the airflow through the grate. Burn only dry, well-seasoned wood, which should have been cut, split and stacked for at least 12 months, with free air movement around the sides of the stack to enable it to dry out. Burning wet or unseasoned wood will create tar deposits in the stove and chimney and will not produce a satisfactory heat output.

Maximum Log Length: See technical table



Ensure your logs are well seasoned with a moisture content of less than 20%

Reduced Combustion

In order to shut down the stove, close the primary control, then close the secondary air slider by moving the handle all the way to the left.

If the controls are left in this position, the fire will be starved of air and will die down.

If you want to revive the fire it is recommended that the primary air control is open first, and then operate the secondary air control. **Warning!** - The stove will remain **hot** for a considerable time after the fire has been extinguished.

Refuelling

Refuelling must be carried out with a sufficient quantity of glowing embers and ash, so that the new fuel charge will ignite quickly. If there are too few embers, add some kindling to prevent excessive fuel. The air controls should not need adjusting while refuelling.

(When refuelling it is important to have a damper in the open position if you have one.)

Recommended Fuels

Hunter Stoves Group recommend that only wood logs with a moisture content of less than 20% and anthracite or a manufactured briquette smokeless fuel which is suitable for closed door appliances are used on this appliance. Burning wet or unseasoned wood will create excess smoke emissions, tar deposits in the stove and chimney and will not produce a satisfactory heat output. Only authorised fuels may be used in UK smoke control areas.

A list of authorised fuels can be found at: - <http://uksmokecontrolareas.co.uk/fuels.php>

WARNING - DO NOT BURN BITUMINOUS COAL, PETRO-COKE, OTHER PETROLEUM BASED FUELS OR TREATED WOOD SUCH AS PALLETS AS THIS WILL INVALIDATE THE PRODUCT WARRANTY. HOUSEHOLD WASTE MUST NOT BE BURNT ON THIS APPLIANCE.

A list of approved fuels can be found at:-

HETAS Ltd – Telephone 01242 673257 – http://hetas.co.uk/public/hetas_guide.html

Solid Fuel Association – Telephone 0800 600 000 – www.solidfuel.co.uk

Maintenance And Servicing

WARNING!

NO unauthorised modification of this appliance should be carried out.

IMPORTANT!

In order to ensure continued compliance with current Building Regulations and Local Authority Byelaws, this appliance requires regular maintenance by a competent person. N.B. Refer to the 'Removing Internal Components' section of the installation instructions for details on how to remove each component.

Periods Of Prolonged Non-Use

If the stove is to be left unused for a prolonged period, then it should be given a thorough clean to remove ash and unburned fuel residues. To enable a good flow of air through the appliance to reduce condensation and subsequent damage, leave the air controls fully open. If the appliance has been unused for a long period, such as during the spring and summer months, a competent person should check the chimney for potential obstructions before lighting the stove *i.e. get the chimney swept before the start of the heating season?*

Baffle

This should be removed and cleaned at least once a month to prevent any build-up of soot or fly ash that could lead to blocked flue ways and dangerous fume emission. If the baffle is removed the chimney/flue way can be swept through the appliance.

Stove Body

Painted Finish - The stove is finished with a heat resistant paint and this can be cleaned with a soft dry brush or dry microfiber cloth. Do not clean whilst the stove is hot. **At no point should any water or other cleaning products be used on the stove.** The finish can be renovated with Hunter Stoves paint.

Glass Panel

Clean the glass panel when cool with a propriety glass cleaner. Highly abrasive substances should be avoided as these can scratch the glass and make subsequent cleaning more difficult. Wet logs on heated glass, a badly aimed poker or heavy slamming of the doors could crack the glass panels. The glass will not fracture from heat. Should you need to replace a glass panel please ensure you purchase a new Gasket at the same time. Please check periodically that the glass clips and screws have not become loose. They should only be finger tight to allow for the expansion and contraction of the glass.

Gaskets

All gasket used on this appliance are produced from a heat resistant material called Manniglas.

The glass gasket will have to be replaced when a new piece of glass is fitted as the gaskets become brittle after firing the stove.

Over time you may also find that the gasket changes colour. This is due to a reduction in the pigment used in the manufacture of the product and no cause for concern.

Firebricks

In normal use, these can last for many years. It is possible however, to crack them if logs are continually jammed against them or if they are frequently struck with a poker. Check periodically for seriously cracked bricks, which can be replaced with new, available from your dealer or our spares website www.hunterstoves.co.uk.

Door Catch

LOVENHOLM/NORRESKOVEN/SONDESKOVEN/NORDSTRAND/SKAGEN 5 & 6

The door catch may require adjustment to maintain the door seal.

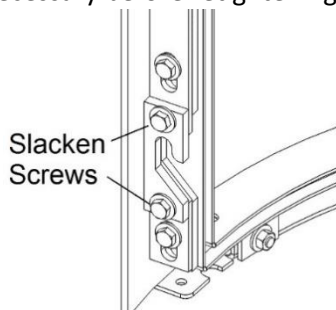
To adjust the catch

- Loosen the M6 grub screw with a 3mm allen key.
- Rotate the catch shaft one complete turn to achieve the correct door operation
- Re-tighten the grub screw.



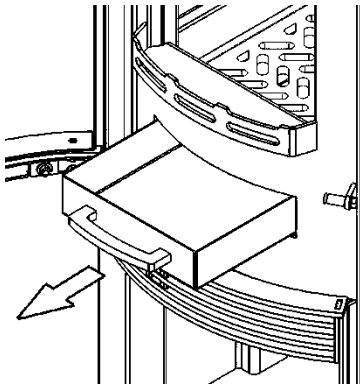
STROMSTAD/ÅTTA/SJU

Door Hooks – Over time the rope seal in the door will become compressed. It may therefore be necessary to adjust the door hooks to maintain the door seal. To adjust the hooks, slacken the two set screws and adjust the position of the hooks as necessary before retightening the screws.



De-Ashing – Stromstad/Åtta/Sju

From time to time it will be necessary to remove excess ash from the firebox. This can be done by sweeping the grate with a brush and then removing the ash pan and discarding the ash.



Rope

Check the rope around the door. If rope is becoming detached, use rope glue to reattach it. If the rope is in a poor condition, a replacement rope kit may be ordered from the Hunter Stoves Group spares range.

Chimney and Flue ways

It is important that the chimney, flue ways and any connecting flue pipe are swept regularly. This means at least once a year for smokeless fuels and at least twice a year for wood and other fuels. The baffle will need to be removed from its supports in order to sweep the chimney (see assembly instructions). Only wire-centred sweeps' brushes fitted with a guide wheel should be used. If it is not possible to sweep all parts of the chimney through the appliance, ensure there is adequate access to cleaning doors. If the stove is fitted in place of an open fire, then the chimney should be swept one month after installation to clear any soot falls which may have occurred due to the difference in combustion between the stove and the open fire.

Annual Service

Hunter Stoves Group recommend that this appliance is serviced annually, preferably prior to the start of the heating season, thus avoiding any delay in receiving replacement components, should you need them. If you feel unable to undertake this task, Hunter Stoves recommend that you contact the installation engineer for advice.

Remove all the internal components:

Riddling Bars/Static Grate, Cam Bar, Catch Bar, Ashpan, Side Plates and Baffle. Clean them with a soft brush and inspect them for damage.

Sweep the chimney/flue system if necessary.

Clean down the internal surfaces of the appliance using a scraper or wire brush.

Inspect these surfaces for damage/corrosion.

If corrosion or damage is found, we advise that you consult with your installer about rectification/repair.

Brush out or vacuum the inside of the appliance and re-fit the internal components.

Inspect the Glass and Gasket. Clean the Glass with a non-abrasive cleaner if required. If the Gasket is torn or damaged, we recommend that it is replaced to ensure that no products of combustion enter the room when the appliance is used.

Painted Finish - Brush down the outer surface with a soft brush only and touch up the paint if necessary.

Burn the appliance at a low rate, after maintenance, to allow any new seals, paint or glue cure properly.

The appliance may emit unpleasant odours during this process, please ensure the room is well ventilated.

The paint can be ordered through our website www.hunterstoves.co.uk.

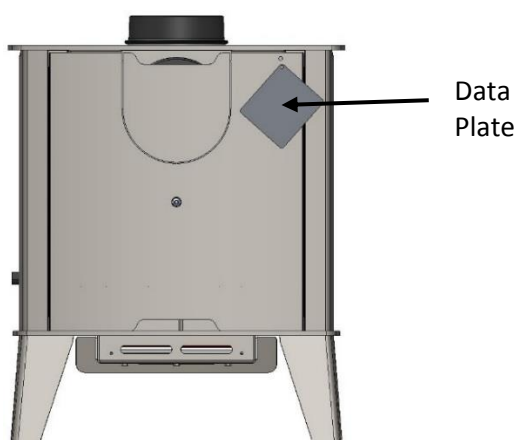
TROUBLESHOOTING

	ISSUE	CAUSE	RESOLUTION
OPERATION	Problem starting the fire and keeping it burning	Low flue draught	Speak to your installer
		Wood with moisture content over 20%	Ensure use of dry seasoned wood with less than 20% moisture content
	Unable to control fire	High flue draught	Speak to your installer
	Short burn time	Wood with moisture content over 20%. Insufficient amount of fuel – refer to page 15 (Notes on Woodburning)	Ensure use of dry seasoned wood with less than 20% moisture content
	Over firing	High flue draught	Speak to your installer
		Air controls left fully open	Close air control to reduce output
	Low heat output	Low flue draught	Speak to your installer with advice on a suitable flue system.
		Wet wood (over 20% moisture content)	Ensure use of dry seasoned wood with less than 20% moisture content
Excessive fuel consumption	High flue draught	Speak to your installer	
	Over dry wood	Do not use constructional timber of pallet wood	
SMOKE PROBLEMS	Smoke and small flames	Wood with moisture content over 20%	Ensure use of dry seasoned wood with less than 20% moisture content
	Excessive smoke into room when appliance door is opened	Low flue draught	Speak to your installer
		Incorrect additional ventilation air in to the building	Speak to your installer
Continuous smoke spillage into the room when stove is in use	Blocked flue	Open all doors and windows to ventilate the room. Allow the fire to go out. Check flue for blockage. Do not re-use until the problem has been identified. If in doubt speak to your installer.	
ADVERSE WEATHER	Windy days causing spillage into the room	Down draught in flue caused by air turbulence due to nearby buildings or trees.	Weather conditions combined with the flue terminal position can have an effect on the stoves performance. Speak to your installer.
	Calm days causing spillage into the room	Over size flue giving poor flue draught	Weather conditions combined with the flue terminal position can have an effect on the stoves performance. Speak to your installer.
	Damp/Rainy days lighting and burning problems	Flue temperature low or rain water inside flue.	Use good quality wood to start and maintain the fire, speak to your installer to fit a rain cowl.
	Wind noise	High flue draught	Speak to your installer.

	ISSUE	CAUSE	RESOLUTION
THE APPLIANCE	Creosote build-up in chimney	Wood with moisture content over 20%	Use dry seasoned wood (less than 20% moisture content). Operate at a high temperature for short periods each time the appliance is used to avoid large build-ups of tars and creosotes.
	Tar coming from flue joints	Appliance operated at continuous low temperatures	Operate at a high temperature for short periods each time the appliance is used to avoid large build-ups of tars and creosotes. See user instructions for correct use of air control
		Using poor quality wood	Use dry seasoned wood (less than 20% moisture content).
	Dirty firebricks/glass	Wood with moisture content over 20%	Use dry seasoned wood (less than 20% moisture content).
	Glass blackening	Using poor quality wood	Use dry seasoned wood (less than 20% moisture content).
		Low flue draught	Speak to your installer.
		Incorrect use of air control	See user instructions for correct use of air control
Appliance operated at low temperatures continuously		Operate at high output for short periods. See instructions for correct use of air control.	

FLUES	<p>Flue systems have two main functions:</p> <ol style="list-style-type: none"> 1) To remove the smoke, fumes and combustion gasses from the building safely and efficiently 2) To provide a sufficient amount of flue draught (suction) in the appliance to ensure the fire keeps burning correctly. <p>The flue draught is caused by rising hot gases when the appliance is burning.</p> <p>If any flue issues persist then speak to your installer before continuing to use the stove.</p>
--------------	--

Date Plate



Optional Extras

These can be purchased through our website www.hunterstoves.co.uk.

PRODUCT	CODE
Glass Cleaner (150mm Aerosol)	SCPGC
Fire Cement (500gm)	SCPFC500
Rope Glue (25ml)	SCPGLUE25ML
Gauntlet Gloves (Pair)	GGLOVE-HSG
Touch up Paint with Brush (236ml)	SCPPB
Spray Paint (400ml)	40.011400HSG
Flue Damper 5" (taller flue collar needed CH06010) 6" (taller flue collar needed CH08031)	HHR99992 HHR99988
Flue Gather Kit 5" 6"	HHR99987K HHR99988K
MULTIFUEL FRONT EXTENSION	
Lovenholm/Norreskoven	HCE05080
Sonderskoven	HCE09094
ROPE SEAL KIT	
Lovenholm/Norreskoven	SCPCB5DDRSK (2 Door) SCPCB5DRSK (1 Door)
Sonderskoven	SCPHCE09NDSK (2 Door) SCPHCE09SDSK (1 Door)
Skagen 5 & 6	SCPSKSDRSK
Nordstrand	SCPCB8SDRSK

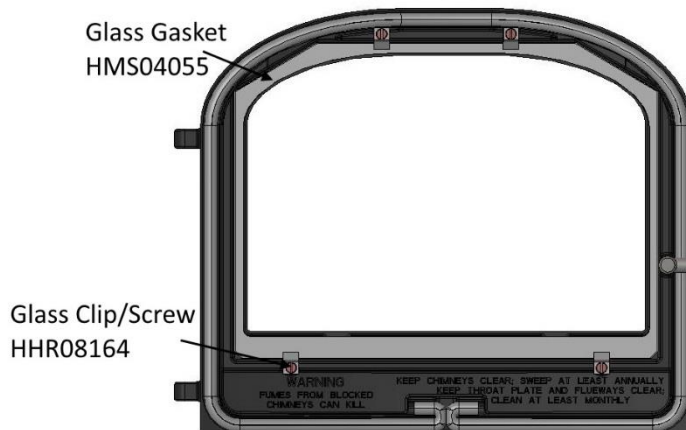
Spares Information

Single Door (Lovenholm/Norreskoven)

Complete Door
Lov - HCE05ARRT002B
Nor - HCE05ARRT002S

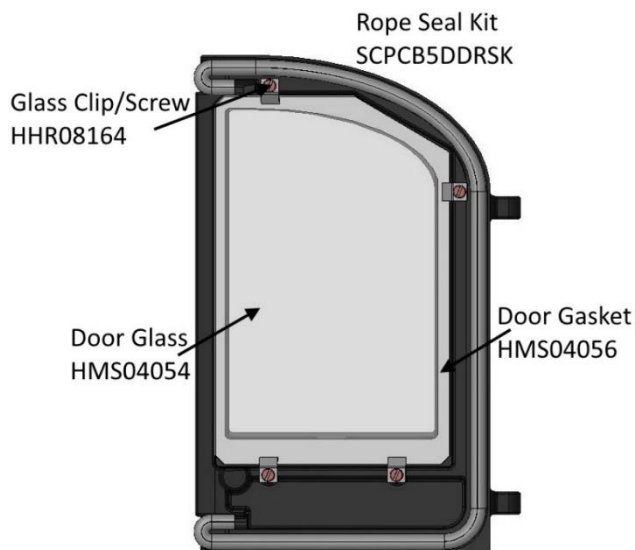
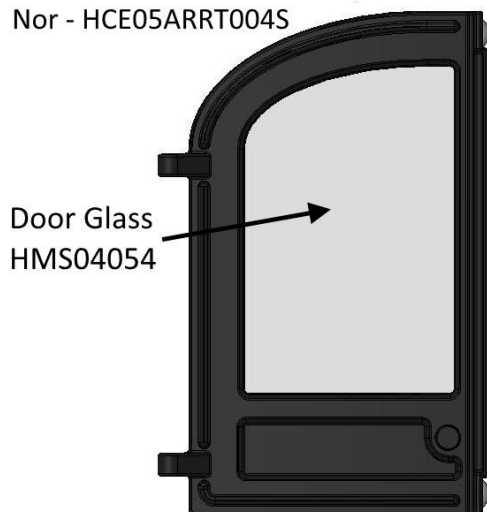


Rope Seal Kit
SCPCB5DRSK



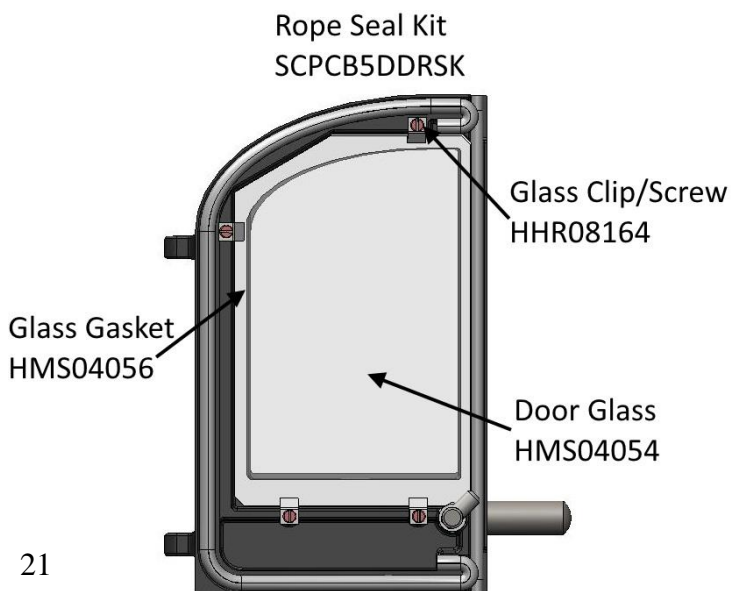
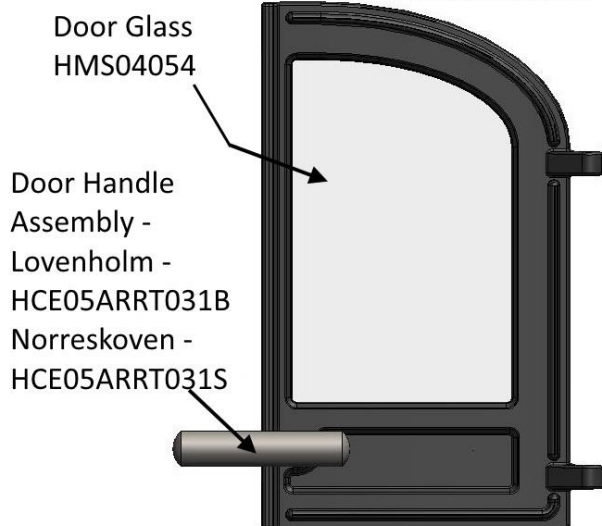
Left Hand Door (Lovenholm/Norreskoven)

Complete Door
 Lov - HCE05ARRT004B
 Nor - HCE05ARRT004S



Right Hand Door (Lovenholm/Norreskoven)

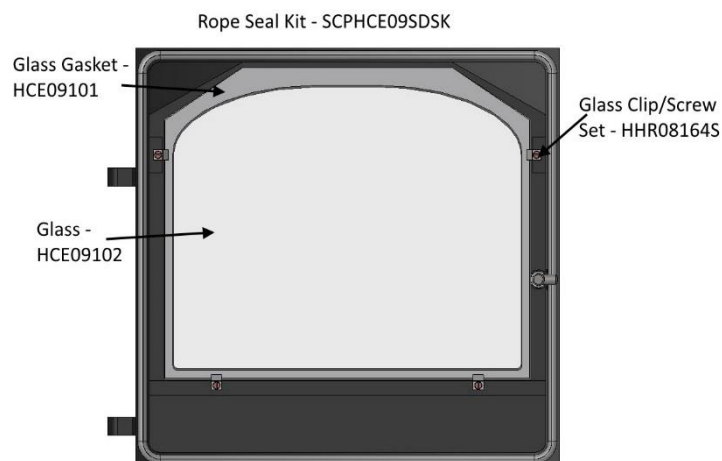
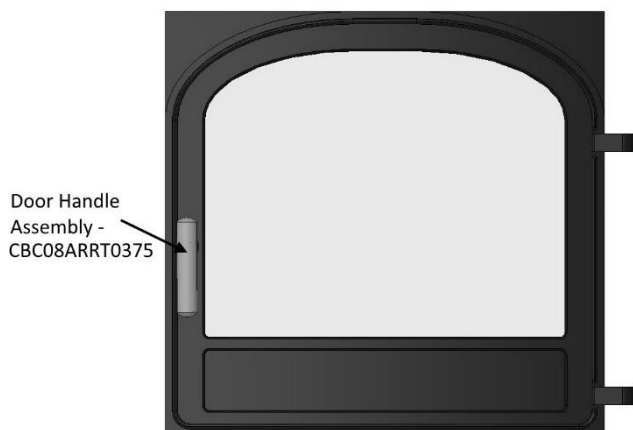
Complete Door
 Lov - HCE05ARRT003B
 Nor - HCE05ARRT003S



21

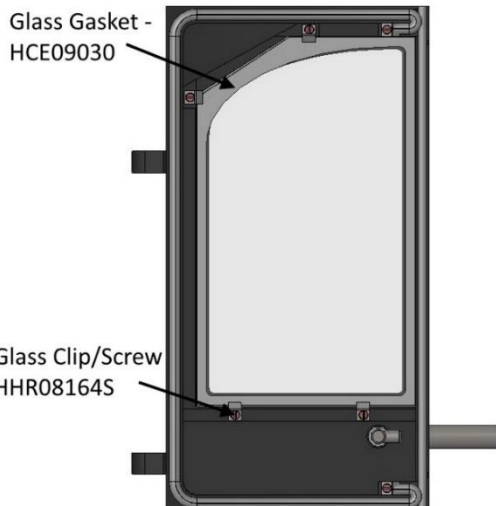
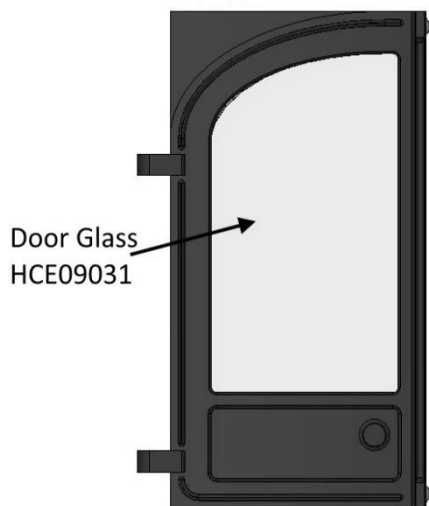
Single Door (Sonderskoven)

Complete Door - DCB09S



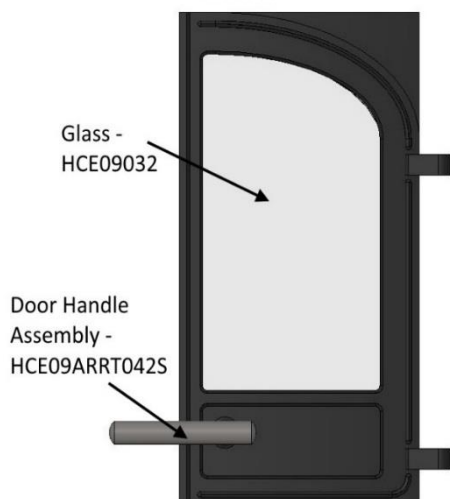
Left Hand Door (Sonderskoven)

Complete Door
DCB09L

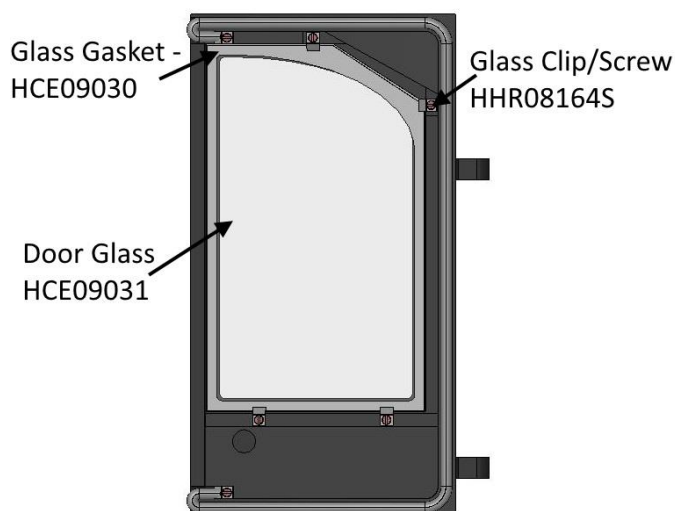


Right Hand Door (Sonderskoven)

Complete Door
DCB09R

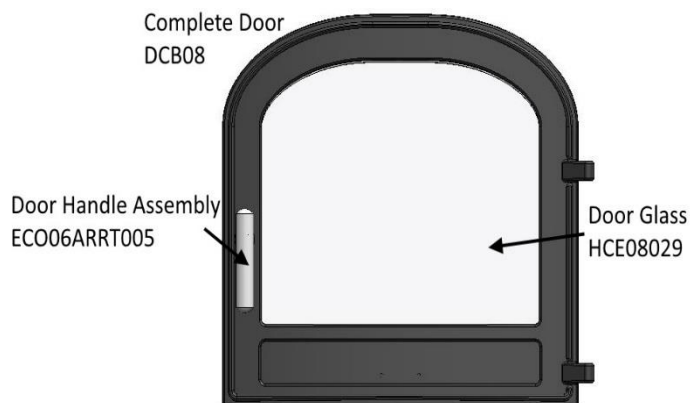


Rope Seal Kit - SCPHCE09NDSK

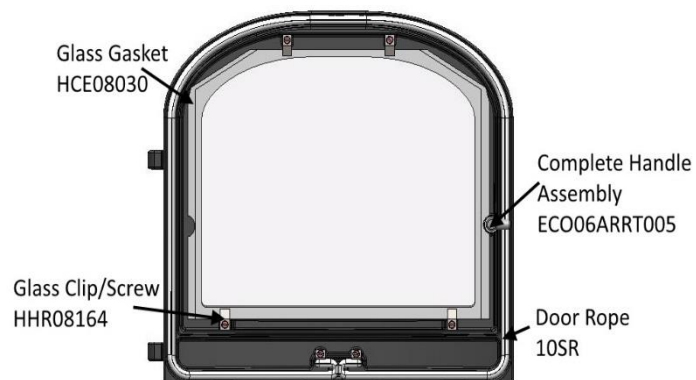


SKAGEN 5 & 6 – SINGLE DOOR (ONLY)

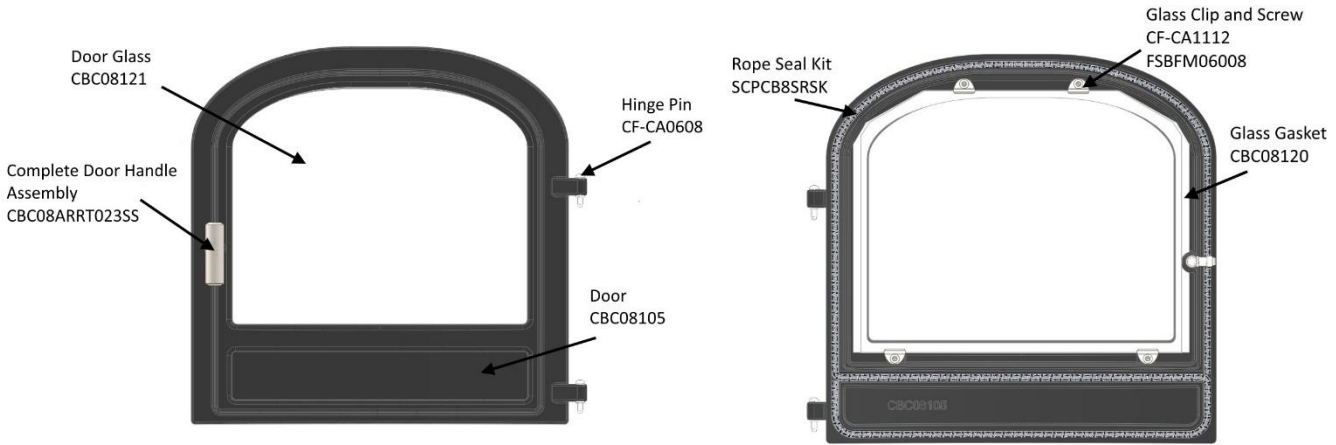
Complete Door
DCB08



Rope Seal Kit
SCPSKSDRSK



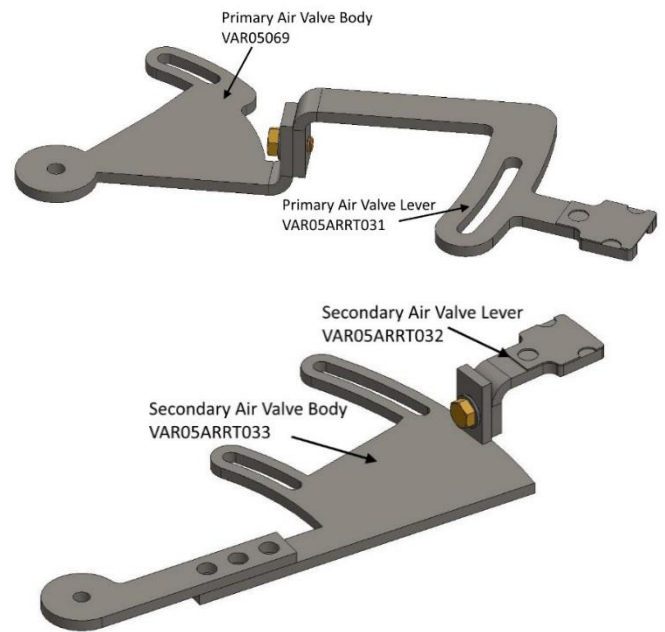
NORDSTRAND – SINGLE DOOR (ONLY)



STROMSTAD/ÅTTA/SJU – SINGLE DOOR (ONLY)

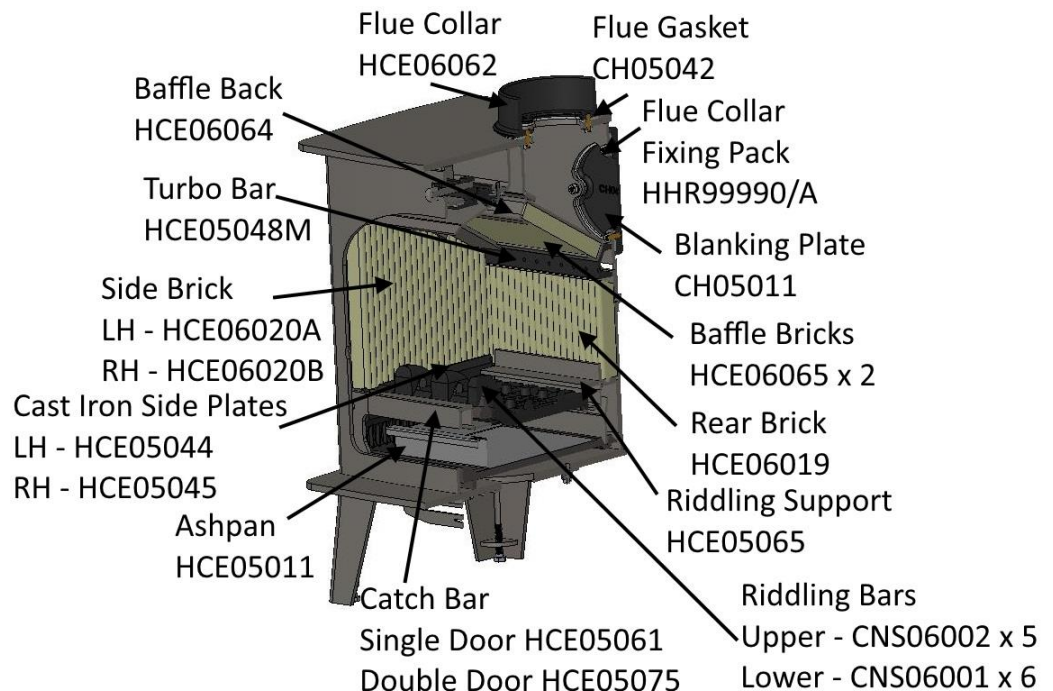


AIR VALVE SPARES



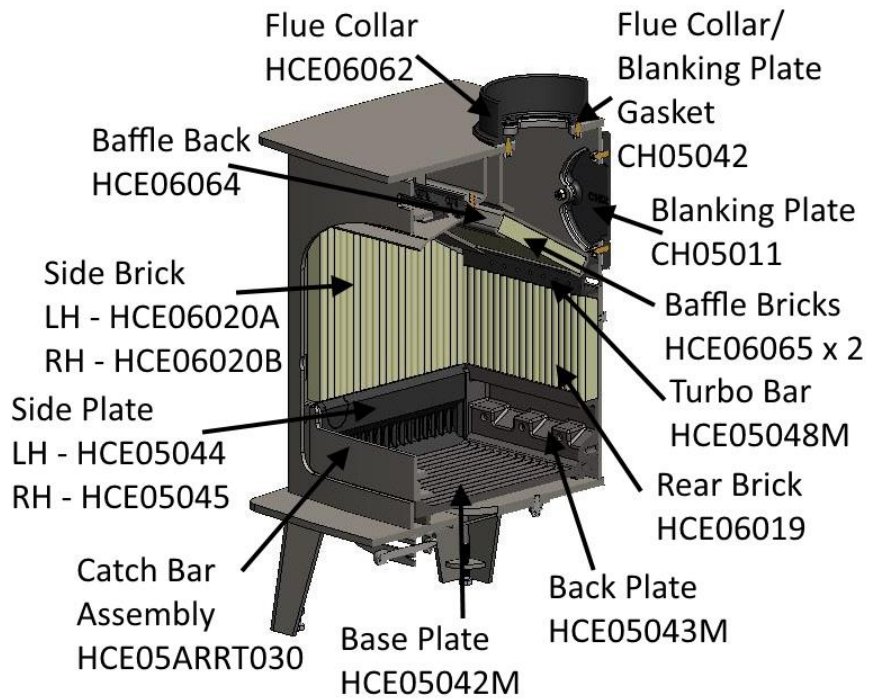
LOVENHOLM - MULTIFUEL

Top Air Plate – HCE06076
 Deflector – HCR06077
 Slider Plate – HCR06072
 Gasket – HCR06066
 Slider Shaft – HCE05021
 Slider Knob – HCE06059M

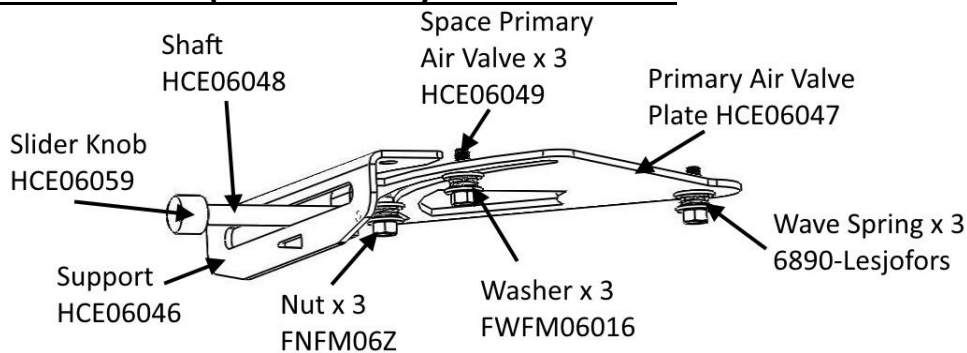


LOVENHOLM WOOD

Top Air Plate – HCE06076
 Deflector – HCR06077
 Slider Plate – HCR06072
 Gasket – HCR06066
 Slider Shaft – HCE05021
 Slider Knob – HCE06059M

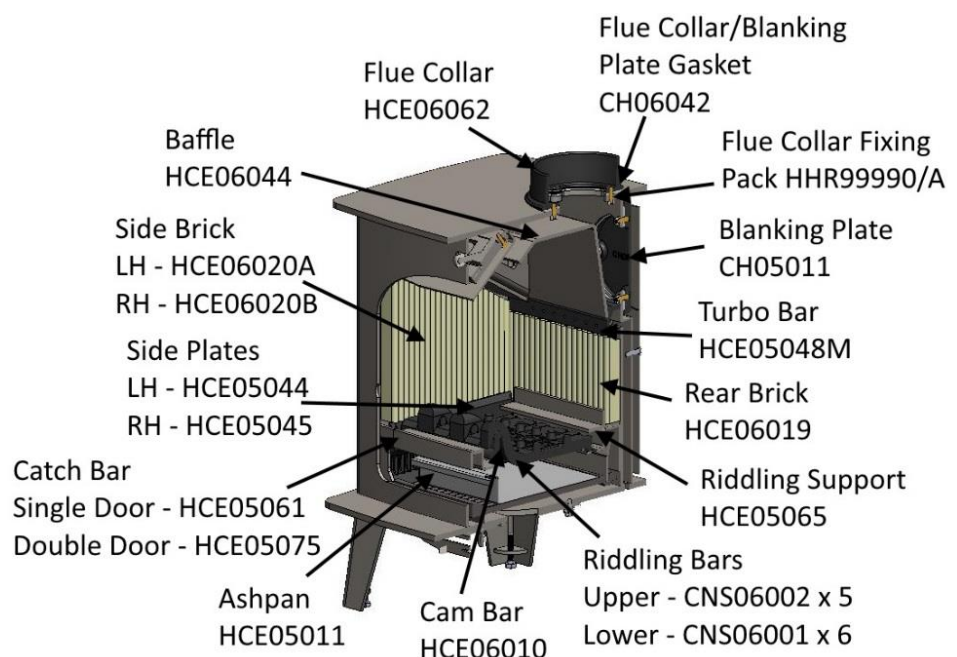


PRIMARY AIR VALVE (LOVENHOLM/NORRESKOVEN)



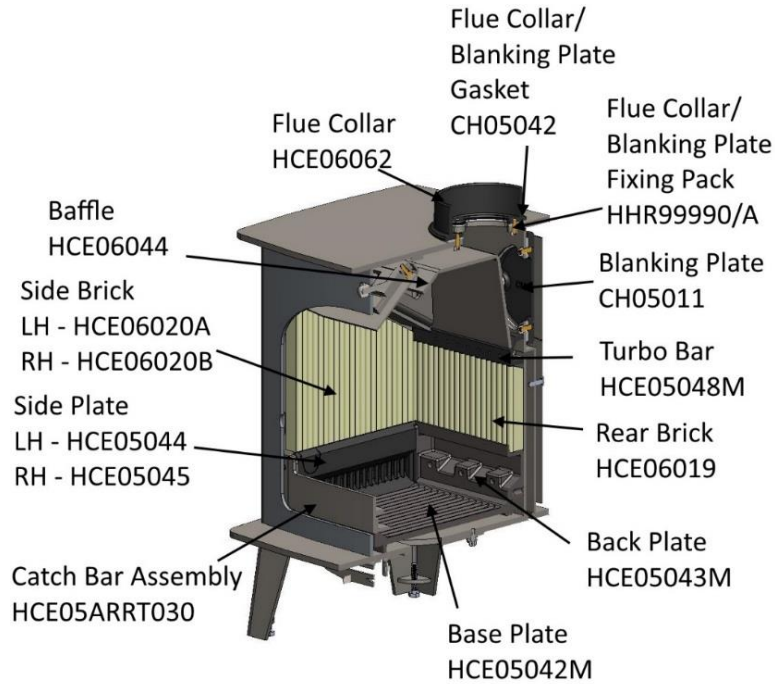
NORRESKOVEN - MULTIFUEL

Top Air Plate – HCE06050
 Deflector – HCE06051
 Slider Plate – HCE06045
 Gasket – HCR06060
 Slider Shaft – HCE06048
 Slider Knob – HCE06059S

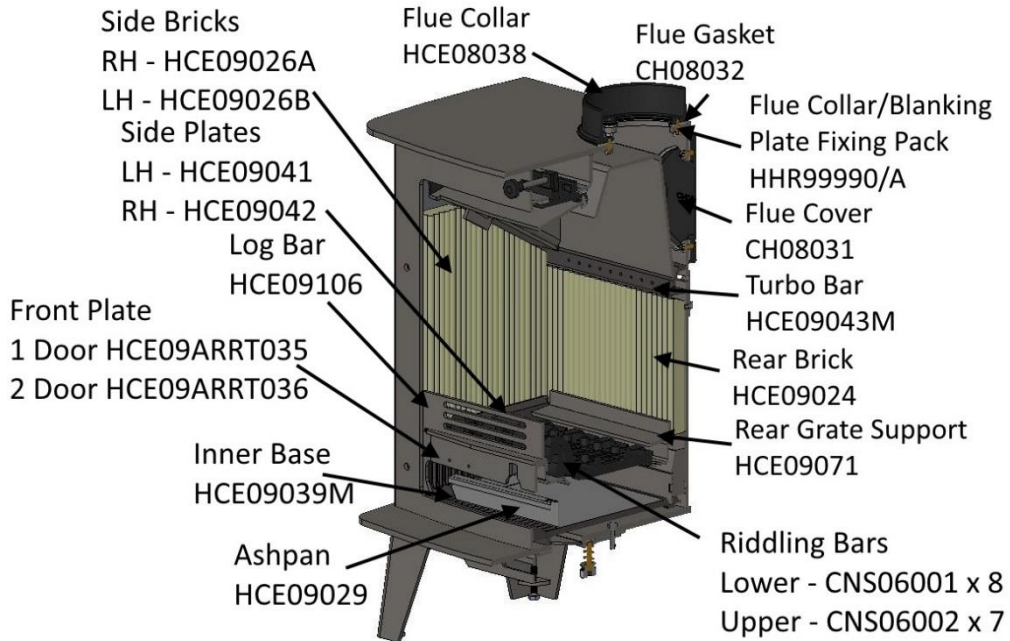


NORRESKOVEN - WOOD

Top Air Plate – HCE06050
 Deflector – HCE06051
 Slider Plate – HCE06045
 Gasket – HCR06060
 Slider Shaft – HCE06048
 Slider Knob – HCE06059S

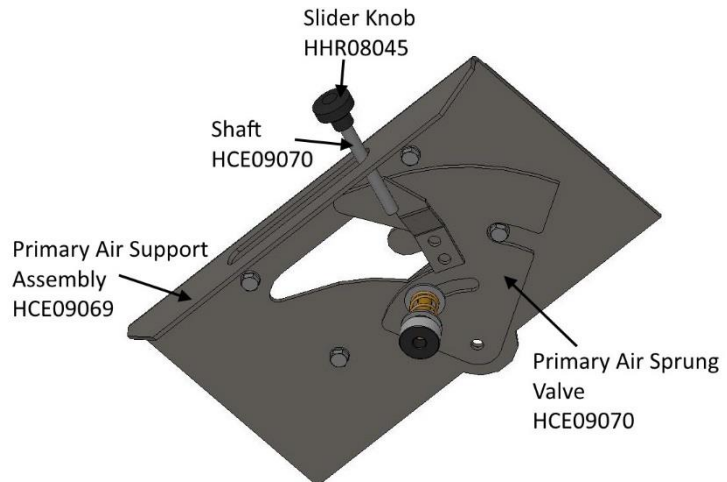


SONDERSKOVEN MULTIFUEL

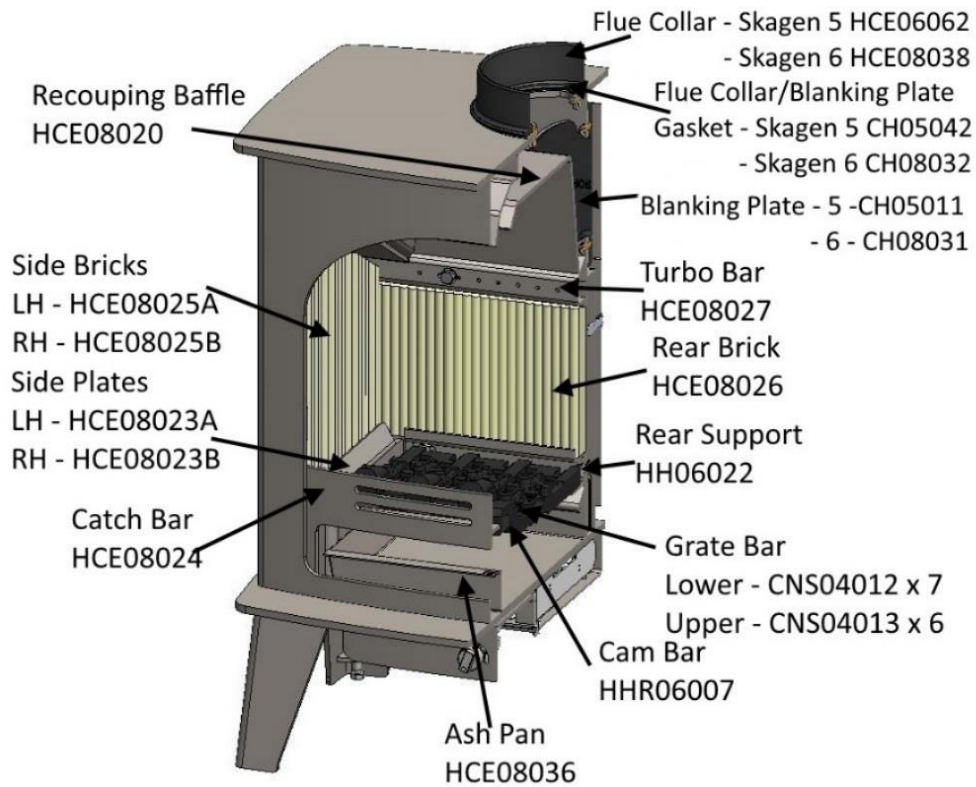


PRIMARY AIR VALVE (ALL)

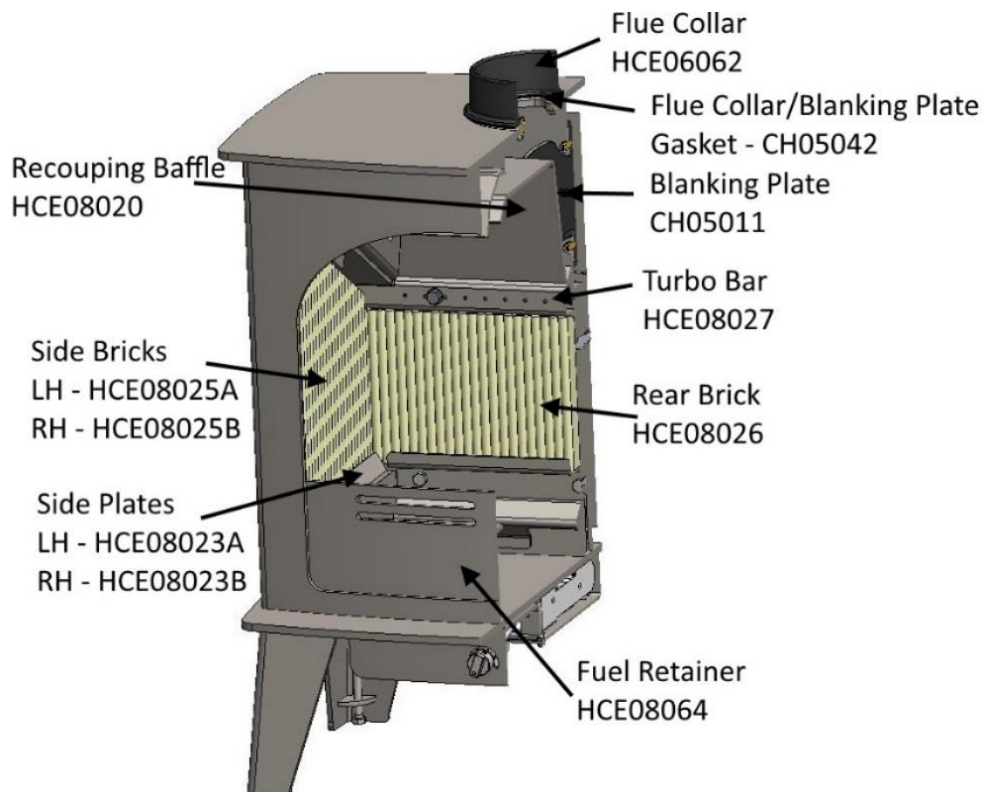
Complete Air Valve Assembly
HCE09ARRT033



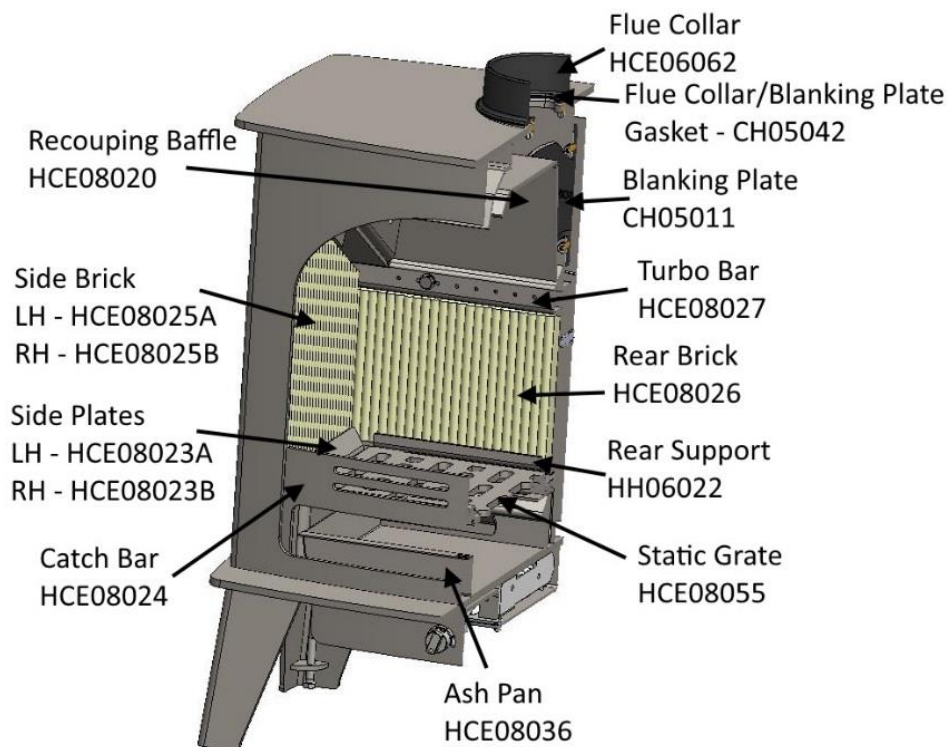
SKAGEN 5/6 MULTIFUEL



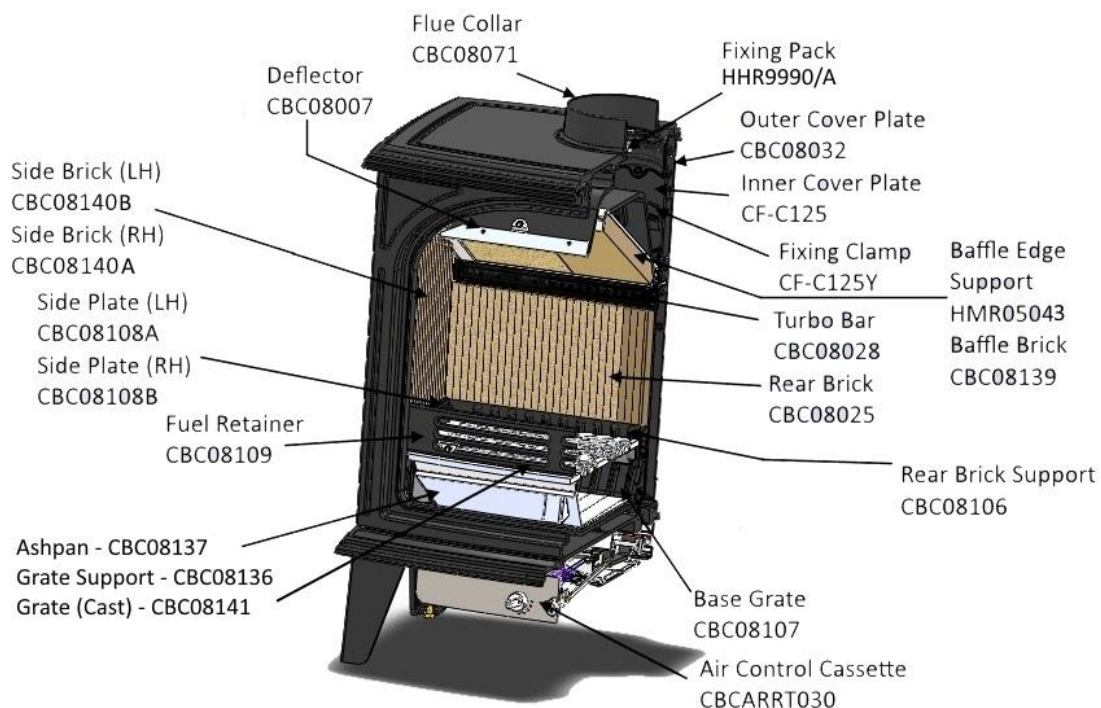
SKAGEN 5 ONLY - WOOD



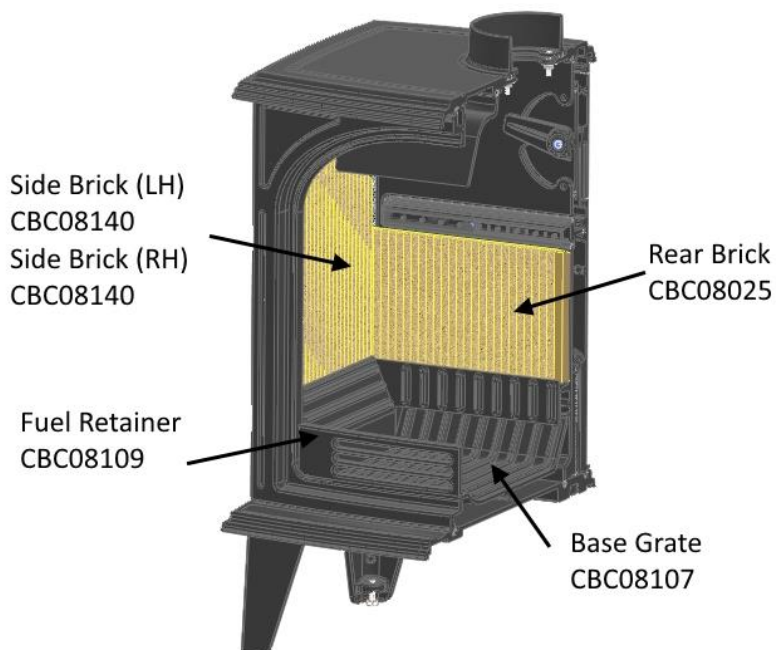
SKAGEN 5 ONLY – STATIC GRATE



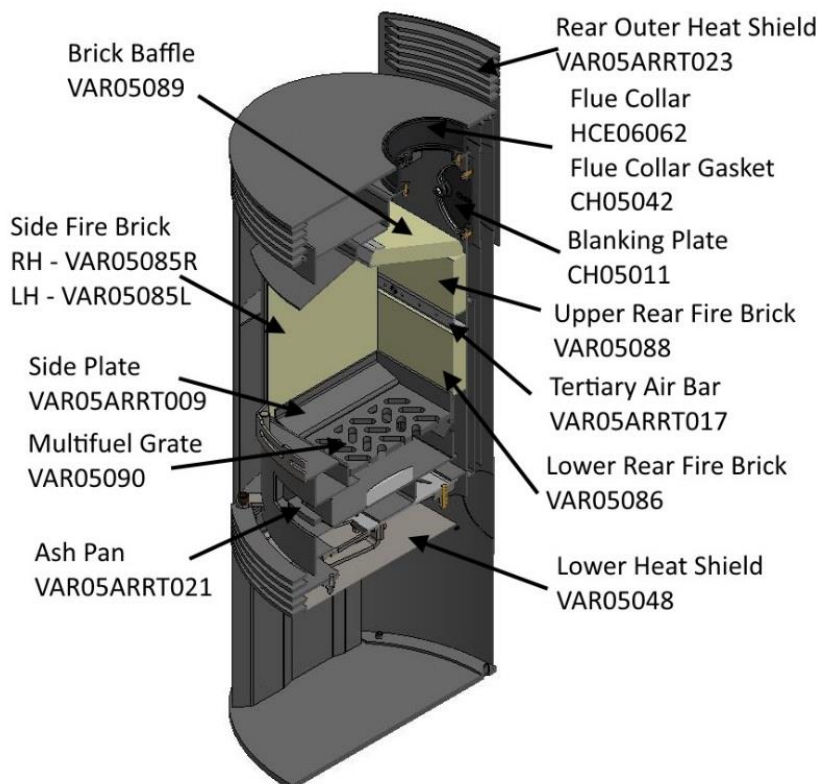
NORDSTRAND - MULTIFUEL



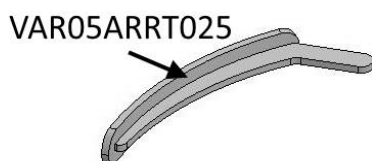
NORDSTRAND - WOOD



STROMSTAD/ÄTTA/SJU - MULTIFUEL



Operating Handle



INSTALLATION & COMMISSIONING CHECKLIST

PURCHASE INFORMATION	
Dealer/Retailer Name	
Address	
Telephone Number	
Email	
Date Purchased	

INSTALLER INFORMATION	
Installer Name	
Address	
Telephone Number	
Email	

APPLIANCE INFORMATION	
Date Installed	
Appliance Stock Code	
Appliance Description	
Serial Number	

COMMISSIONING CHECK (Complete & Sign)		
	YES	NO
Does the chimney/flue system meet the appropriate standard?		
Has the chimney/flue system been swept and passed the soundness test?		
Has this appliance passed the flue draught test?		
Please write down the flue draught reading:		
Has this appliance passed the smoke test?		
Has this appliance passed the spillage test?		
Have you explained how to operate the appliance and explained the controls?		

Signature:	Print Name:
------------	-------------

SERVICE RECORDS

1st Service	
Date of Service	
Date of next Service	
Servicing Company/ Engineer	
Signature	

3rd Service	
Date of Service	
Date of next Service	
Servicing Company/ Engineer	
Signature	

5th Service	
Date of Service	
Date of next Service	
Servicing Company/ Engineer	
Signature	

7th Service	
Date of Service	
Date of next Service	
Servicing Company/ Engineer	
Signature	

9th Service	
Date of Service	
Date of next Service	
Servicing Company/ Engineer	
Signature	

2nd Service	
Date of Service	
Date of next Service	
Servicing Company/ Engineer	
Signature	

4th Service	
Date of Service	
Date of next Service	
Servicing Company/ Engineer	
Signature	

6th Service	
Date of Service	
Date of next Service	
Servicing Company/ Engineer	
Signature	

8th Service	
Date of Service	
Date of next Service	
Servicing Company/ Engineer	
Signature	

10th Service	
Date of Service	
Date of next Service	
Servicing Company/ Engineer	
Signature	



2 Year Standard Warranty

Any appliance bought through the showroom of an authorised Hunter Stoves Group dealership will automatically be covered by our standard 2-year conditional guarantee.

However, this standard 2-year warranty can be extended to a **5 year** or **10-year** conditional warranty dependent on the model type (5 years- Boiler model and Gas models, 10 years- Room heater).

To qualify for this extended warranty option, you need to:

1. Register your purchase online at <https://www.hunterstoves.co.uk/ProductRegistration>
2. Retain your proof of purchase.

Warranty Conditions

For the Standard 2 year or extended 5/10-year warranty to be valid and to remain in force throughout the warranty period the following must have been carried out:

1. The appliance must have been installed by an appropriately qualified engineer (from the Competent Person Scheme/Gas Safe) in accordance with the manufacturer's instructions and in compliance of any relevant national or local building regulations. Please visit the following links for details on the Competent Person Scheme: <https://www.gov.uk/guidance/competent-person-scheme-current-schemes-and-how-schemes-are-authorised> and Gas Safe register: <https://www.gassaferegister.co.uk/>
2. The appliance will need to be registered within two months of purchase and the commissioning and installation documentation completed (these need to be kept by the end user).
3. The appliance must be serviced within 12 months of the installation date for the second year of the standard warranty to be valid, and within every 12-month anniversary thereafter to maintain the validity and coverage of any extended warranty. For this purpose, the installation and user instructions, supplied with the appliance, makes a provision for receipts and annual services to be recorded. This is needed in the event of a claim during the warranty period.
4. Only genuine Hunter Stoves spare parts or consumables can be used in the servicing and maintenance of the appliance during any standard or extended warranty period. These can be sourced from your authorised supplier directly or through our website spares portal. www.hunterstoves.co.uk/spares.
5. Any problems or issues giving rise to any claim under the standard or extended warranty must be submitted to the authorised Hunter Stoves Group retailer from whom you originally purchased the appliance. Hunter Stoves Group will then offer appropriate support and help through your original authorised supplier to solve any issues.
6. The standard or extended warranty option is not transferable. It is solely for the benefit of the original purchaser of the appliance. For this purpose, please retain the proof of purchase.

Warranty Exclusions

No warranty period is extended to naturally-wearing replaceable consumables and spare parts within the appliance. Such parts include, but are not limited to:

For Solid Fuel Stoves:

Glass and rope/ceramic seals
Fire bricks
Baffles/Throat plates
Log retainers, grate supports & catch bars
Grate parts
Ash-pans
Clip-in Boilers

For Gas Stoves:

Gas pilot assemblies
Thermocouples and Oxy pilots
Ceramic log & coal 'fuel -effects'
Batteries

Paint and Surface Coverings

The paint or surface covering of the appliance will be covered (for 2 years after installation) provided the warranty conditions are met. However, damage due to the following events will not be covered:

1. Damage to the paint surface caused by the appliance being stored in a damp and cold environment is not covered under warranty. Please be aware that any moisture within the room where the stove is installed e.g. through clothes drying, can be a cause of paint issues.
2. In the course of the initial firings of the appliance the paint or enamel surface may change colour. This is normal and as such is therefore not covered under warranty.
3. Damaged caused by over firing, resulting in cracking, bubbling or discolouration to the paint or enamelled surface finish is not covered under warranty.

Warranty Limitations

1. Damage to the appliance due to specific local conditions caused by draft or chimney defects.
2. Damage resulting from installation and use where installation is not in accordance with the manufacturer's instructions or local building and/or safety regulations.
3. Damage or premature wear caused by burning inappropriate fuels such as Bituminous coal, "Petro-Coke" or any other Petroleum based coals. Please visit the HETAS website, www.hetas.co.uk, for a full list of approved fuels which are covered by the warranty. Fuels outside of this list are not covered by the warranty.
4. Damage caused by burning material with high creosote content or any other painted/treated timber.
5. Consequential loss to associated non-Hunter Stoves Group products is not covered under the warranty.
6. Consequential loss relating to decorations, soft furnishings or other household assets is not covered under the warranty.
7. Cost associated with the removal and re-installation of an appliance subject to a warranty claim.

Hunter Stoves Group total liability will only extend to the total purchase price paid for the goods in any warranty claim. Hunter Stoves Group reserve the right to replace, repair or refund to value of goods purchased.

ANY HUNTERS STOVES GROUP PRODUCT PURCHASED VIA AN INTERNET SUPPLIER, OR THROUGH AN UNAUTHORISED STOCKIST WILL ONLY BE SUPPORTED BY THE STATUTORY, 12 MONTH GUARANTEE AND WILL NOT QUALIFY FOR ANY EXTENDED 5 OR 10 YEAR WARRANTY.

The Hunter Stoves Group extended warranty option does not affect your statutory rights.

This revised standard or extended 5 or 10-year warranty option comes into effect on **1st September 2015** and will apply to all appliances sold from that date.

This standard/extended warranty applies to purchases of Hunter Stoves within the United Kingdom and the Republic of Ireland. Purchases in all other countries are subject to the warranty conditions specified by the distributor in those markets.



hunterstoves
GROUP

Hunter Stoves Ltd, 8 Emperor Way, Exeter Business Park, Exeter, Devon, EX1 3QS
www.hunterstoves.co.uk Email: info@hunterstoves.co.uk

Further Information

For extra guidance on using your stove, please visit our YouTube channel by searching 'Hunter Stoves Group' or see the helpful hints section of our website; www.hunterstoves.co.uk.

This appliance is suitable for intermittent burning.

This appliance should not be used in a shared flue.

All genuine Hunter Group spares can be purchased through our website www.hunterstoves.co.uk/spares or through your authorised dealer.



CLEANBURN