



hunterstoves  
GROUP



**ASPECT 4 / 4 COMPACT**  
**ASPECT 5 / 5 COMPACT**

**ASPECT 6**

**ASPECT 7**

**ASPECT 8**

**ASPECT 14**

**WOOD BURNING STOVE MODELS**

JINASE201119 REV B



[HUNTERSTOVES.CO.UK](http://HUNTERSTOVES.CO.UK)



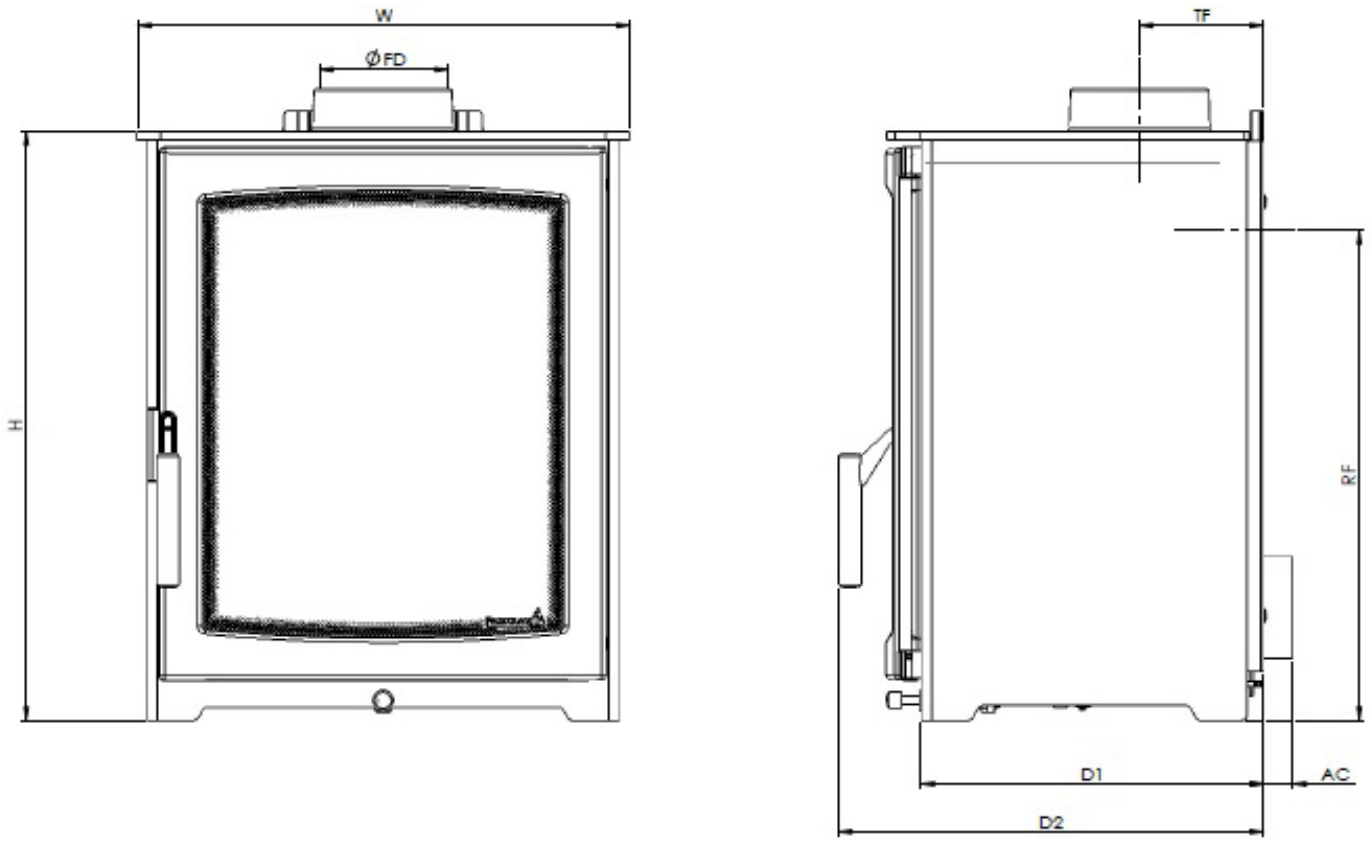


Welcome to the Hunter Stoves family and thank you for purchasing a Parkray Aspect stove. This stove was designed and built to be a high-performance heating appliance, and we hope it will bring you great enjoyment. The natural environment is important to us, so our stoves are manufactured to provide you with a clean and efficient burn that will keep you warm through cold winter nights.

## CONTENTS INDEX

STOVE INFORMATION	3
GENERAL INFORMATION	4/5
MATERIAL CLEARANCES	6
GENERAL GUIDANCE	7 - 10
OPERATING INSTRUCTIONS	11/12
MAINTENANCE AND SERVICING	13 - 14
IMPORTANT INFORMATION	15/16
TROUBLESHOOTING	17
WARRANTY INFORMATION	18/19

# STOVE INFORMATION



DIMENSIONS	H	W	FD	TF	RF	AC	D1	D2
ASPECT 4	515mm	400mm	127mm	110mm	416mm	17.5mm	327mm	410mm
ASPECT 4 COMPACT	515mm	400mm	127mm	110mm	416mm	17.5mm	277mm	379mm
ASPECT 5	590mm	494mm	127mm	110mm	491mm	17.5mm	327mm	410mm
ASPECT 5 COMPACT	590mm	494mm	127mm	110mm	491mm	17.5mm	277mm	358mm
ASPECT 6	623mm	557mm	127mm	143mm	523mm	2 mm	343mm	422mm
ASPECT 7	550mm	579mm	127mm	110mm	451mm	17.5mm	327mm	410mm
ASPECT 8	648mm	617mm	127mm	128mm.	524mm	7mm	442mm	472mm
ASPECT 8 COMPACT	648mm	617mm	127mm	153mm	539mm	13mm	392mm	422mm
ASPECT 14	658mm	667mm	127mm	153mm	559mm	NA	468mm	555mm

# GENERAL INFORMATION

Stove Model	Nominal Heat Output	Efficiency	Weight
Aspect 4	4.5kW	81.0%	56kg
Aspect 4 Compact	4.5kW	81.0%	52kg
Aspect 5	5.0kW	80.0%	79kg
Aspect 5 Compact	5.0kW	80.0%	72kg
Aspect 6	5.0kW	80.0%	93kg
Aspect 7	5.0kW	81.0%	86kg
Aspect 8	7.5kW	76.0%	110kg
Aspect 8 Compact	7.5kW	76.0%	110kg
Aspect 14	7.8kW	77%	130kg

**Meets the requirement of:  
European Standard EN-13240  
DEFRA (Smoke Control Areas  
(UK))**



**The appliance will become very hot** when used in accordance with the instructions. The supplied operating tool or glove may be used to open the door and operate the air controls. We also recommend use of a fireguard in the presence of children, the elderly or the infirm. The fireguard should be manufactured in accordance with BS8423.

## Legal Requirements

These instructions cover the basic principles to ensure satisfactory installation of the stove, although details may need slight modification to suit particular local site conditions.

In all cases the installation must comply with current Building Regulations, Local Authority Byelaws, European and National Standards and other specifications or regulations as they affect the installation of the stove.

It should be noted that the Building Regulations requirements may be met by adopting the relevant recommendations given in British Standards BS 8303, BS 6461 and BS 7566 as an alternative means to achieve an equivalent level of performance to that obtained following the guidance given in Approved Document J.

## Competent Persons Scheme

Hunter Stoves Group recommend that this stove be installed by a member of an accredited competent persons scheme e.g. HETAS.

If the installer is not a member of a competent person's scheme, it is a legal requirement, in the UK, to notify your Local Building Control Officer in advance of any installation work starting.

## Hearth

Hearth constructions must comply with the current building regulations.

Your stove must be installed on a floor with adequate load-bearing capacity, otherwise suitable measures should be taken.

If the existing construction does not meet this pre-requisite, suitable measures (e.g. load distributing plate) should be put in place.

The hearth should extend at least 225mm from the front of the appliance (as per Building Regulations) we recommend 300 mm.

The stove should stand wholly above a solid, non-combustible hearth, at least 125 mm thick (this may include the thickness of a solid floor and/or decorative hearth).

Please refer to Building Regulations Approved Document J for further information.

## Air Supply

### Aspects 4, 4C, 5, 5C, 6 and 7

The room or space containing this appliance does not need a permanent, unobstructed air opening unless the air permeability rating is less than or equal to  $5\text{m}^3/\text{hour}/\text{m}^2$ .

### Aspects 8, 8 Compact, 14

The room or space containing this appliance does need a permanent, unobstructed air opening.

$1375\text{mm}^2$  - Aspect 8  
 $1540\text{mm}^2$  - Aspect 14.

### All

If a draught stabiliser is fitted, the air opening should be at least: -

$3825\text{mm}^2$  (Aspect 4s),  
 $4250\text{mm}^2$  (Aspect 5s, 6 and 7)  
 $3625\text{mm}^2$  (Aspect 8)  
 $3880\text{mm}^2$  (Aspect 14).

Due consideration should be given to air requirements for any other appliance in the same room or space.

Any air opening must be kept clear from blockage or obstruction.

### New Build

Attention is needed in new built properties where the design air permeability is less than  $5\text{m}^3/\text{h.m}^2$ . Approved Document J and Appendix F gives further information. A window opening is not appropriate.

## Connection to the Chimney

An existing fireplace opening can be bricked up or sealed with a register plate. A short length of flue pipe of minimum 125mm internal diameter may then be used to connect the stove to the chimney. This flue pipe should be made of 316 grade stainless steel or vitreous enamelled steel, nominal thickness 1.2mm. Ensure that the pipe end is no closer than 76mm to the chimney walls. The length of any horizontal run of flue pipe must not exceed 125mm. It is essential that all connections between the stove and chimney-flue are sealed and made airtight. Any bend in the chimney or connected flue pipe should not exceed  $45^\circ$  and  $90^\circ$  bends should not be used.

Ensure any existing chimneys are clear of obstruction and have been swept prior to installation. If the stove is being fitted into a previous open fireplace then the chimney must be swept one month after fitting.

Make provision to access the chimney/flue system for cleaning and the removal of debris. If there is no existing chimney then either a prefabricated block chimney in accordance with Building Regulations Approved Document J, or a twin-walled insulated stainless-steel flue to BS4543 can be used. These chimneys must be fitted in accordance with the manufacturer's instructions and Building Regulations. New masonry and flue block chimneys must meet the requirements of Building Regulations Document J. Any connecting flue pipe systems must also meet these regulations.

Please check the suitability of the fireplace and/or surround for use with this appliance before installing it. If you have any doubts about the suitability of your chimney, consult your local Dealer/Stockist or Installation Engineer.

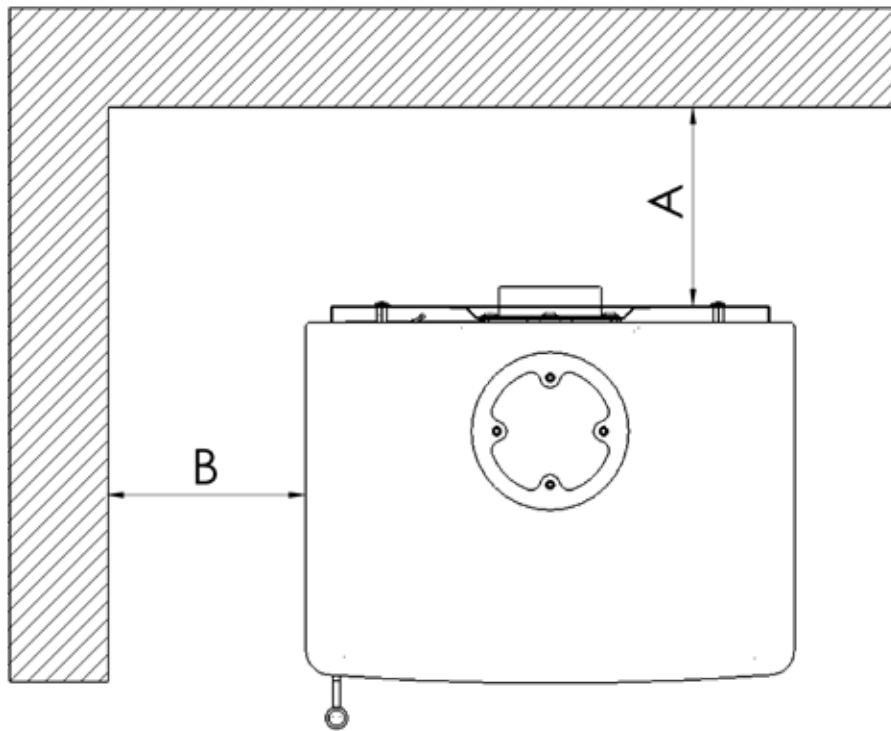
## Certificate of Compliance

After completion of the appliance installation please ensure the form below (specimen) is completed by your installer to comply with the requirements of HETAS and building regulations. The installer must supply these details, including registration number for any insurance details that may need changing after installation of the appliance.

HETAS LTD - CERTIFICATE OF COMPLIANCE	
PLEASE TICK APPROPRIATE BOXES OR ENTER DETAILS IN BOXES BELOW	
Record ID (HETAS Use Only)	(Indicates that this data must be given)
Customer Name	*
Installation Address	*
Installation Address	*
Installation Address	*
Installation Address	*
Team	*
Postcode	Work Completion Date
Local Authority Name (Must be given if no postcode available)	
Installing Company Name	Company's HETAS Reg. No.
Installing Engineer's Name	Engineer's HETAS Reg. No.
<b>Description of Work</b>	
Location:	Lounge <input type="checkbox"/> Dining Room <input type="checkbox"/> Kitchen <input type="checkbox"/> Utility Room <input type="checkbox"/> Bedroom <input type="checkbox"/> Other: <input type="checkbox"/>
Appliance:	Dry Open Fire <input type="checkbox"/> Open Fire with Boiler <input type="checkbox"/> Dry Cooker <input type="checkbox"/> Cooker with Boiler <input type="checkbox"/> Dry Roomheater/Stove <input type="checkbox"/> Roomheater/Stove with Boiler <input type="checkbox"/> Independent Stove <input type="checkbox"/> New Output <input type="checkbox"/> NY
Make	Model
System:	New Heating and Hot Water System <input type="checkbox"/> Updated Existing Heating and Hot Water System <input type="checkbox"/> Dry System Only <input type="checkbox"/>
If Hot System:	Is the Hot Water System Unvented? <input checked="" type="checkbox"/> Y <input type="checkbox"/> N
Chimney:	New Insulated Factory Made Chimney System Installed <input type="checkbox"/>
Relining of existing chimney:	Twin Wall Flexible Liner for Class 1 Appliance <input type="checkbox"/> Cast In-situ Liner <input type="checkbox"/> Rigid Sectional Liner Metal <input type="checkbox"/> Rigid Sectional Liner Other <input type="checkbox"/>
Hearth:	New Hearth/ surround fitted <input type="checkbox"/> Existing Hearth/ surround Updated <input type="checkbox"/>
<b>Additional Information</b>	
Connecting fluepipe:	Diameter: <input type="text"/> mm Socket (pits upward and gas tight) <input type="checkbox"/>
Provision for sweeping chimney/fluepipe:	Yes <input type="checkbox"/> No <input type="checkbox"/> Chimney Data Plate Location: <input type="text"/>
Air supply:	Has a permeability open air path been fitted? Yes <input type="checkbox"/> No <input type="checkbox"/>
Is vent opening at least 50% of cross sectional area of flue/flue or:	State total free area of air vent <input type="text"/> $\text{mm}^2$
Confirm an approved Carbon Monoxide alarm has been fitted	<input type="checkbox"/>
<b>Testing &amp; Commissioning to Approved if Appendix E</b>	
Confirm you have commissioned and tested the appliance & associated work for safe and efficient operation	<input type="checkbox"/>
<b>Declaration of compliance:</b> As the competent person responsible for the work described above, I confirm that the appliance and associated work has been installed in accordance with the HETAS rules of legislation, and that the work complies with Regulations 4 and 7 of the Building Regulations, and Approved Documents J, G & L, as applicable.	
Signed	Print name: _____ Date: _____
COPIES OF THIS COMPLETED CERTIFICATE MUST BE (DATE COPY) SENT TO HETAS LTD AT THE ADDRESS GIVEN BELOW (WEB COPY SENT TO THE CUSTOMER FOR RETENTION) (HOLD COPY) RETAINED BY THE INSTALLER/ENGINEER	
THIS CERTIFICATE SHOULD BE RETAINED BY THE PROPERTY OWNER WHO MAY BE REQUIRED TO PRODUCE IT IN ANY FUTURE SALE OF THE PROPERTY.	
HETAS LTD, PO Box 37, Bishop's Cleeve, Glos. GL52 0TB HETAS Ltd © (Oct 2015)	

# MATERIAL CLEARANCES

## Combustible Distances

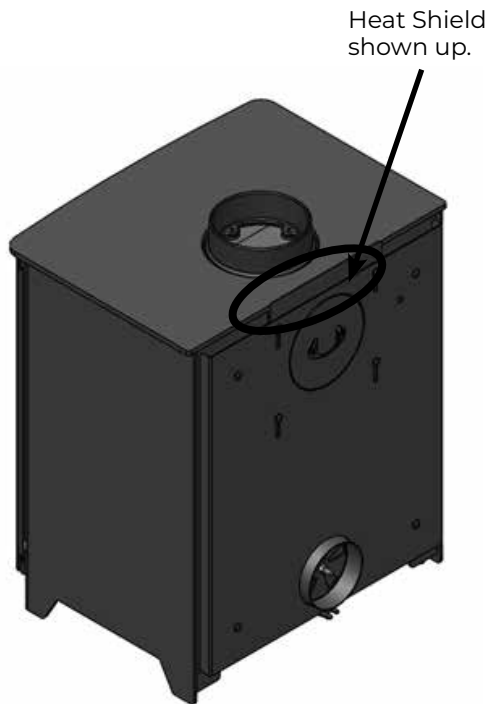


Model	A (to Twin-Walled Flue)	B Combustible	Front to Furniture
Aspect 4	125mm	500mm	1100mm
Aspect 4 Compact	125mm	500mm	1100mm
Aspect 5	125mm	600mm	1230mm
Aspect 5 Compact	125mm	600mm	1230mm
Aspect 6	125mm	600mm	1230mm
Aspect 7	125mm	500mm	1230mm
Aspect 8	100mm	375mm	1200mm
Aspect 14	100mm	525mm	1500mm

Any further information on hearths refer to Page 4 and Building Regulations Document J. For clearance distances for the single skin flue pipe please refer to Building Regulations Document J.

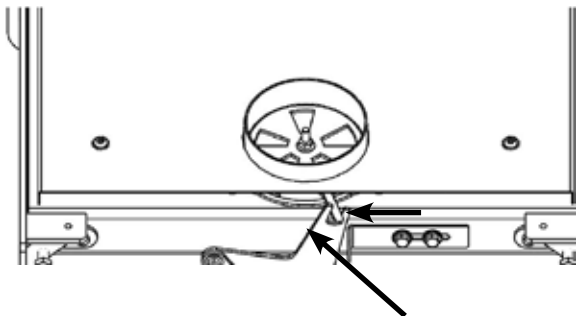


## Heat Shield



For top flue installation ensure heatshield plate is in the correct position (as shown in above drawing).

## Smoke Control Stop



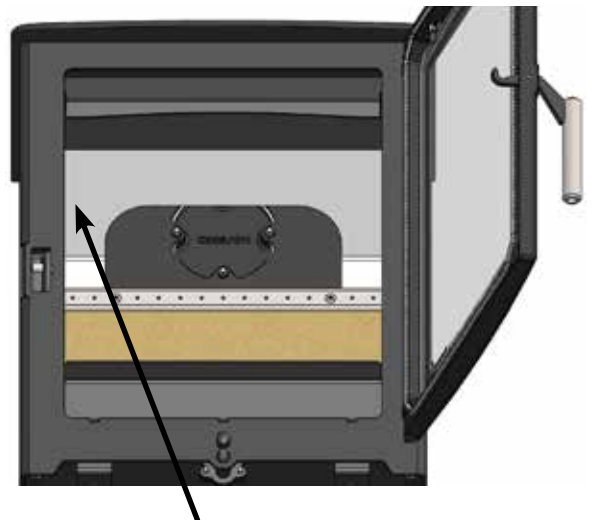
### Smoke Control Stop

If you are in a Smoke Control Area then the plate needs to be set fully across to the left.

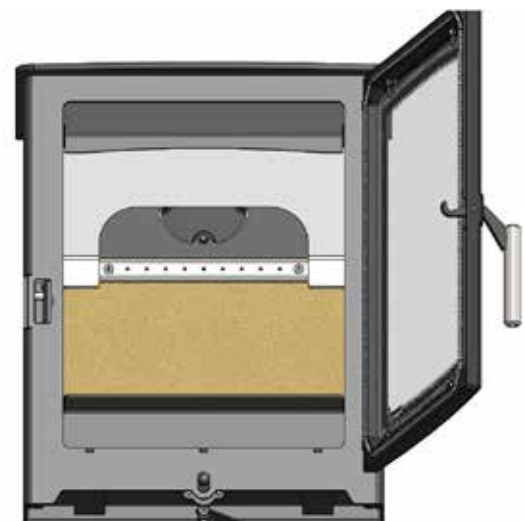
## Baffles



Lift the brick baffle and slide to one side and allow the other side to drop down into firebox (supporting at all times). Then remove from appliance.



Baffle plate as shown above.



Slide the baffle plate forward so it is clear of the secondary bar and pull down into firebox and remove.





## SMOKE CONTROL AREA EXEMPT

### **The Clean Air Act 1993 And Smoke Control Areas**

Under the Clean Air Act local authorities may declare the whole or part of the district of the authority to be a smoke control area. It is an offence to emit smoke from a chimney of a building, from a furnace or from any fixed boiler if located in a designated smoke control area. It is also an offence to acquire an “unauthorised fuel” for use within a smoke control area unless it is used in an “exempt” appliance (“exempted” from the controls which generally apply in the smoke control area).

In England appliances are exempted by publication on a list by the Secretary of State in accordance with changes made to sections 20 and 21 of the Clean Air Act 1993 by section 15 of the Deregulation Act 2015. In Scotland appliances are exempted by publication on a list by Scottish Ministers under section 50 of the Regulatory Reform (Scotland) Act 2014. Similarly, In Northern Ireland appliances are exempted by publication on a list by the Department of Agriculture, Environment and Rural Affairs under Section 16 of the Environmental Better regulation Act (Northern Ireland) 2016. In Wales appliances are exempted by regulations made by Welsh Ministers.

Further information on the requirements of the Clean Air Act can be found here:  
<https://www.gov.uk/smoke-control-area-rules>

Your local authority is responsible for implementing the Clean Air Act 1993 including designation and supervision of smoke control areas and you can contact them for details of Clean Air Act requirements.

The Aspect wood burning stoves have been recommended as suitable for use in smoke control areas. Suitable Authorised fuels can also be used in the appliances in Smoke Control Areas (see Authorised fuel list <https://smokecontrol.defra.gov.uk/fuels.php> ) (Applies only if a multifuel conversion kit is installed).

#### **Refuelling on to a low fire bed**

If there is insufficient burning material in the firebed to light a new fuel charge, excessive smoke emission can occur. Refuelling must be carried out onto a sufficient quantity of glowing embers and ash that the new fuel charge will ignite in a reasonable period. If there are too few embers in the fire bed, add suitable kindling to prevent excessive smoke.

#### **Fuel overloading**

The maximum amount of fuel specified in this manual should not be exceeded, overloading can cause excess smoke.

#### **Operation with door left open**

Operation with the door open can cause excess smoke. The appliance must not be operated with the appliance door left open except as directed in the instructions.

#### **Dampers left open**

Operation with the air controls or appliance dampers open can cause excess smoke. The appliance must not be operated with air controls, appliance dampers or door left open except as directed in the instructions.

## Health and Safety Guidance

Special care must be taken when installing the stove such that the requirements of the Health and Safety at Work Act are met.

### Handling

This appliance is very heavy. Adequate facilities must be available for loading, unloading and side handling.

### Fire Cement

Some types of fire cement are caustic and should not be allowed to come into contact with the skin. In case of contact, wash immediately with plenty of water.

### Asbestos

This stove contains no asbestos. If there is any possibility of disturbing any asbestos in the course of installation, then please seek specialist guidance and use appropriate protective equipment.

### Metal Parts

When installing or servicing this stove, care should be taken to avoid the possibility of personal injury.

### Stove Performance

This is a Domestic Appliance and must only be used in accordance with these instructions.

### Important Warning

This stove must not be installed into a chimney that serves any other heating appliance.

Fitting a stove in a room which also contains an extractor fan and/or cooker hood should be avoided where possible. If this is unavoidable, the suitability of the space for fitting this appliance must be decided at the discretion of a qualified installer, and a flue draught interference test must be performed.

### Operating With The Doors Open

The stove is tested as a closed door appliance and as such should not be operated with the doors open (except for fuel re-loading etc.)

## TRIPLEBURN TECHNOLOGY

Our unique cleaner burning technology utilises three streams of air - Primary, Secondary and Tertiary - to provide optimum air flow to the firebox, aiding combustion and ensuring maximum efficiency throughout. This draws air over the fuel, across the door and behind the fuel. This means a faster light up and a fuller burn of the fuel.

Airwash Technology allows air to flow over the glass and across the fuel to ensure that the glass is always kept clean - guaranteeing an excellent view of your fire as it burns.

## THE ENVIRONMENT (FRIENDLY FIRING)

To produce a more environmentally friendly way of burning your stove avoid turning it down to the point where you cannot see any visible flames. If the stove is run this way then the gases produced from the wood will not be burnt off (due to low temperatures in the chamber). This can also cause soot to condense in the flue system and could lead to a chimney fire. The smoke that is left as it exits the chimney will also pollute the surroundings and cause an unpleasant smell.

Remember - your chimney (however good) will not perform well if the stove is not used correctly.

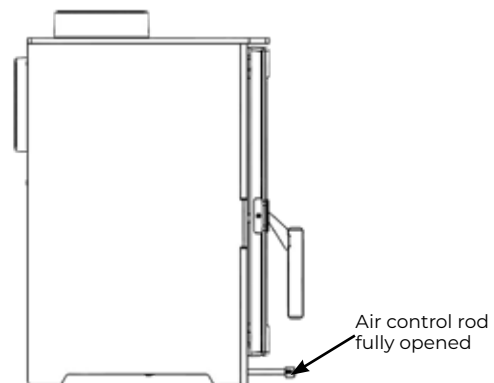
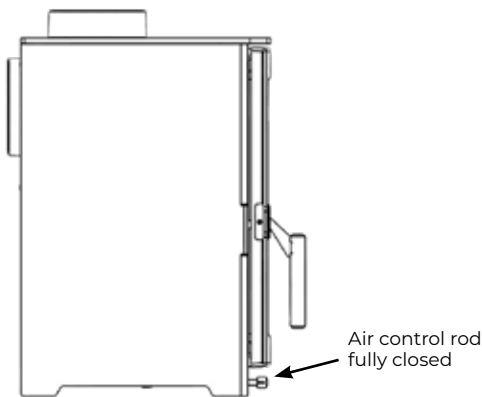
# OPERATING INSTRUCTIONS

## Stove Body

### Safety Advice

The stove paint curing process takes place at room temperature and the surface coating is virtually free from fumes and odours. When being put into operation for the first time we would recommend that windows and doors are opened for a short time to provide ventilation.

### Air Controls

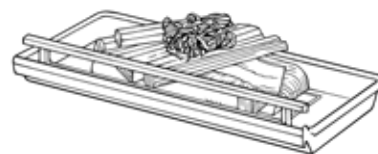


When the air control rod is pushed in fully then both the Primary and Secondary air intakes are in the closed position.

To operate pull the air control away from the stove. For the air control to be in the fully open position both Primary and Secondary pull the air control rod away from the stove until it stops. This is necessary for lighting the stove.

### Lighting the Stove

- 1) Ensure all air controls are in the fully open position.
- 2) In the base of the stove, place the larger split and dry logs (amount dependant upon size of the firebox). Ensure a gap is left between the logs as this allows air movement to help the fire breathe when lit.
- 3) Place approximately six to eight pieces of kindling (finely chopped wood) on top of the logs in the opposite direction to the split logs.
- 4) Put 2 to 4 Eco fire lighters on top of the kindling in the centre.
- 5) Finally, place 2 to 4 pieces of kindling on top of the Eco fire lighters.
- 6) Close the door as soon as flames appear.
- 7) A small amount of soot may appear on the glass during the lighting. This is perfectly normal and will go after a period of time.
- 8) Extra logs should not be added until there is a bed of glowing embers.



Kindling:

Length - 15cm to 20cm

Diameter - 2cm to 5cm

Approximately 8-12 finely chopped pieces

## Adding Wood

1. Firstly ensure that the wood you are using has a moisture content of less than 20% (we recommend 12-15% to ensure an efficient burn).
2. When refuelling open all the air controls fully and the damper (if fitted).
3. Open the door slowly by releasing the handle and allowing to stay like this for 10 to 20 seconds. As opening the door to fast can cause smoke to be drawn into the room as the firebox has not had time for the pressure to equalise. The smoke will then take the easiest route which is out through the opening.
4. Fully open the door slowly and carefully place the fuel.
5. It is recommended to use 2 pieces of wood weighing 1.2 to 1.4kg in total. 25cm long. Only refuel when flames die down.
6. Put the logs diagonally to each other so that they can catch fire easily.
7. Close the door. (All our stoves are tested as closed door appliances and should be used as such.)
8. Keep the air control in the fully open position until the logs catch fire.
9. This can then be reduced to aid slower combustion.



### Important!

Ensure the wood has a moisture content of less than 20% (we advise 12-15% for a more efficient burn) to allow the fuel to catch quickly. If the fuel has a higher moisture content then you are mostly burning of this and this will reduce the heat output and take longer to burn correctly. This can also cause a build up of soot and tar which could lead to a chimney fire. It will also cause the glass of the stove to blacken.

Refuelling must be carried out with a sufficient quantity of glowing embers and ash, so that the new fuel charge will ignite quickly. If there are too few embers, add some kindling to prevent excessive smoke. After refuelling leave the air control fully open for one minute before reducing to the desired setting.

### Guide to Wood

Hardwood is a denser fuel than softwood and provides a higher heat content. Softwood burns at 50% of the heat content of hardwood. Softwoods are more prone to spitting and popping as they have pockets of moisture and sap contained within them (this can be reduced by seasoning and drying correctly).

Woods suitable for closed appliances - Ash, Beech, Birch, Blackthorn, Elm, Eucalyptus, Hawthorn, Hazel, Hornbeam, Maple, Oak, Rowan, Sycamore, Wild Cherry, Willow, Alder, Apple, Pear and Holly. (Oak, beech and birch burn at the highest rate when seasoned correctly).

These woods are also suitable but can crackle and spit - Cedar, Douglas Fir, Horse Chestnut, Larch, Plane, Sweet Chestnut and Willow.

### **WARNING!**

**Burning wet or unseasoned wood will create excess smoke emissions, tar deposits in the stove and chimney and will not produce a satisfactory heat output.**

**WARNING - DO NOT BURN BITUMINOUS COAL, PETRO-COKE, OTHER PETROLEUM BASED FUELS OR TREATED WOOD SUCH AS PALLETS AS THIS WILL INVALIDATE THE PRODUCT WARRANTY. HOUSEHOLD WASTE MUST NOT BE BURNT ON THIS APPLIANCE.**

### **OVER-FIRING**

**Using an excess amount of wood (than recommended) and/or the air intake is too much (check instructions on correct use of air controls) can cause the stove to over-fire. This can cause damage to both the stove and the surrounding walls. Therefore, as recommended use the maximum amount of fuel.**

# MAINTENANCE AND SERVICING

## Periods Of Prolonged Non-Use

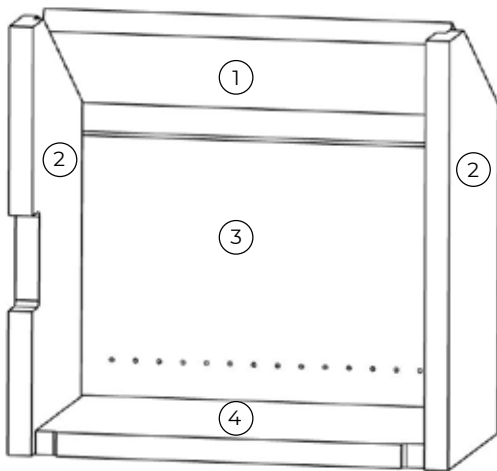
If the stove is to be left unused for a prolonged period, then it should be given a thorough clean to remove ash and unburned fuel residues. To enable a good flow of air through the appliance to reduce condensation and subsequent damage, leave the air controls fully open. If the appliance has been unused for a long period, such as during the spring and summer months, a competent person should check the chimney for potential obstructions before lighting the stove i.e. get the chimney swept before the start of the heating season?

## Baffle Brick

The baffle is located in the upper part of the stove and this should be removed and cleaned on a regular basis. This prevents any build-up of soot or fly ash that could lead to blocked flue ways and dangerous fume emission. If the baffle is removed the chimney/flue way can be swept through the appliance.

## Firebricks

In normal use, these can last for many years. It is possible however, to crack them if logs are continually jammed against them or if they are frequently struck with a poker. Check periodically for seriously cracked bricks, which can be replaced with new, available from your dealer or our spares website [www.hunterstoves.co.uk/spares](http://www.hunterstoves.co.uk/spares).



To remove the bricks -

Baffle brick (1) - Slide over to the LH side of the body and drop down into the firebox and remove.

Base brick (4) - Lift base brick out of firebox and remove. (Ensure side bricks are supported).

Side brick (2) - Pull base of the LH side brick in towards the centre of the firebox and remove. Repeat with RH side brick.

Rear brick (3) - Bring RH side in towards the centre of the firebox and remove.

To replace the bricks work in reverse order as above.

## Glass Panel (see diagram below)

Printed glass should not be cleaned using cleaners high in alkaline or acidic content. Clean the glass panel when cool with a propriety glass cleaner by applying the cleaner to a cloth. Do not apply directly to the glass as this could cause run of which could soak into the rope seals around the edge of the glass.

Highly abrasive substances should be avoided as these can scratch the glass and make subsequent cleaning more difficult. Wet logs on heated glass, a badly aimed poker or heavy slamming of the doors could crack the glass panels, the glass will not fracture from heat.

Should you need to replace a glass panel please ensure you purchase a new Gasket at the same time. Please check periodically that the glass clips and screws have not become loose. They should only be finger tight to allow for the expansion and contraction of the glass.

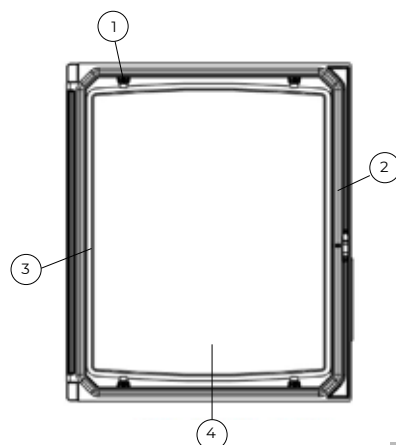
## Rope

Check the rope (2) around the door. If rope is becoming detached, use rope glue to reattach it. If the rope is in poor condition, a replacement rope kit may be ordered from the Hunter Stoves Group spares range.

## Gasket Tape

The glass gasket tape (3) will have to be replaced when a new piece of glass (4) is fitted as the self-adhesive tape is stuck onto the glass.

Over time you may also find that the gasket tape changes colour. This is due to a reduction in the pigment used in the manufacture of the product and no cause for concern.



## **Stove Body**

You can wipe the stove with a damp cloth. Repair any light damage with Hunter stove paint available through our spares website [www.hunterstoves.co.uk/spares](http://www.hunterstoves.co.uk/spares).

## **Chimney and Flue Ways**

It is important that the chimney, flue ways and any connecting flue pipe are swept regularly. This should only be carried out by an experienced chimney sweep with a trusted trade rating.

This means at least once a year for smokeless fuels and at least twice a year for wood and other fuels. The brick baffle will need to be removed from the stove in order to sweep the chimney.

If it is not possible to sweep all parts of the chimney through the appliance, ensure there is adequate access to cleaning doors.

If the stove is fitted in place of an open fire, then the chimney should be swept one month after installation to clear any soot falls which may have occurred due to the difference in combustion between the stove and the open fire.

## **Annual Service**

Hunter Stoves Group recommend that this appliance be serviced annually, preferably prior to the start of the heating season, thus avoiding any delay in receiving replacement components, should you need them. If you feel unable to undertake this task, Hunter Stoves recommend that you contact the installation engineer for advice.

Remove all the internal components: Log retainer, bricks, ignition air bar & baffle brick. Clean them with a soft brush carefully and inspect them for damage.

Sweep the chimney/flue system if necessary.

Clean down the internal surfaces of the appliance using a scraper or wire brush. Inspect these surfaces for damage/corrosion. If corrosion or damage is found, we advise that you consult with your installer about rectification/repair.

Brush out or vacuum the inside of the appliance and re-fit the internal components.

Inspect the glass and glass fibretape. Clean the glass with a non-abrasive cleaner if required. If the glass fibretape is torn or damaged, we recommend that it is replaced to ensure that no products of combustion enter the room when the appliance is used.

Painted Finish – You can wipe the stove with a damp cloth. Repair any light damage with Hunter stove paint spray.

## **Spares**

**All spare parts can be purchased through our website [www.hunterstoves.co.uk/spares](http://www.hunterstoves.co.uk/spares).**

# IMPORTANT INFORMATION

## IMPORTANT NOTES

### General

Before lighting the stove check with the installer that the installation work and commissioning checks described above have been carried out correctly and that the chimney has been swept clean, is sound and free from any obstructions. As part of the stoves' commissioning and handover, the installer should have shown you how to operate the stove correctly.

### Carbon Monoxide Detector

Hunter Stoves recommend a Carbon Monoxide Detector that conforms to the latest issue of BS EN 50292 be placed in the same room as the appliance. The installation of such an alarm is not considered a substitute for regular maintenance or servicing of the appliance and flue system.

### Air Controls

See how to use Air Controls on page 10.

### Fireguards

Always use a fireguard in the presence of children, the elderly or the infirm. The fireguard should be manufactured in accordance with BS8423 – Fireguards for use with solid fuel appliances.

### Extractor Fan

Fitting a stove in a room which also contains an extractor fan and/or cooker hood should be avoided where possible. If this is unavoidable, the suitability of the space for fitting this appliance must be decided at the discretion of a qualified installer, and a flue draught interference test must be performed.

### Recommended Fuels

Hunter Stoves Group recommend that only wood logs with a moisture content of less than 20% should be burnt on this appliance.

Burning wet or unseasoned wood will create excess smoke emissions, tar deposits in the stove and chimney and will not produce a satisfactory heat output.

**WARNING - DO NOT BURN BITUMINOUS COAL, PETRO-COKE, OTHER PETROLEUM BASED FUELS OR TREATED WOOD SUCH AS PALLETS AS THIS WILL INVALIDATE THE PRODUCT WARRANTY. HOUSEHOLD WASTE MUST NOT BE BURNT ON THIS APPLIANCE.**

### WARNING NOTE

Properly installed and operated, this appliance will not emit fumes. Occasional fumes from de-ashing and refuelling may occur. Persistent fume emission must not be tolerated.

This appliance should not be operated with the door open.

If fume emission persists, then the following immediate action should be taken: -

- Open doors and windows to ventilate the room.
- Let the fire go out or eject and safely dispose of fuel from the appliance.
- Check for flue/chimney blockage and clean if required.
- Do not attempt to re-light the fire until the cause of the fume emission has been identified and corrected.

If necessary, seek expert advice.

## **Aerosols**

Do not use an aerosol spray on or near the stove when it is alight.

## **Operating The Stove**

Warning! – This Appliance will be hot when in operation and due care should be taken.

We advise that suitable gloves, or the operating tool is used when operating the air control, and when opening the door.

## **Ventilation**

It is essential that the stove has an adequate air supply for combustion and ventilation. Requirements can be found by checking Building Regulations Approved Document J.

Do not obstruct the ventilation required for the safe use of this appliance.

## **In The Event Of A Chimney Fire**

- Raise the alarm
- Call the Fire Brigade
- Close appliance air controls
- Move furniture, ornaments etc. away
- Place a fireguard in front of stove
- Check the chimney breast for signs of excessive heat.

If the wall is becoming excessively hot, move furniture away.

Ensure the Fire Brigade can gain access to your roof space in order to check for fire spread.



# TROUBLESHOOTING

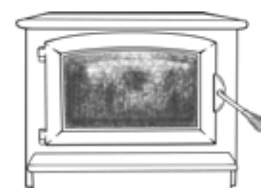
## Smoke

This can happen for a variety of reasons e.g cold air trapped in chimney/flue. As cold air is denser, this causes smoke to be forced back down the chimney. We recommend trying to heat the chimney before lighting for example, placing a firelighter on top of the kindling. Ensure wood has a moisture content of less than 20% as this can cause excess smoke. Also check the type of wood as softwood produces a lot more smoke.



## Glass

If your glass is blackening this can be due to incorrect use of air controls (see instructions). Alternatively, poor quality fuel which has a high moisture content can also be a cause. When the glass has a white shadow (or crazing) on the inside then this can be caused due to over-firing, too much primary air or a vacuum in the room.



## Operation Of Fire

There are varying reasons for problems with your stove however, this could be due to a low or high flue draught in which case you need to speak to your installer. Correct use of the air controls (please refer to instructions). Quality and moisture content of fuel. Check that chimney is not blocked or that nearby buildings or trees affect the wind around it.

## Appliance Body

### Paint Curing

The stove paint curing process takes place at room temperature and the surface coating is virtually free from fumes and odours. When being put into operation for the first time we would recommend that windows and doors are opened for a short time to provide ventilation.

If the surface of the appliance turns grey or the paint starts to flake or peel then this is caused by over-firing.

### Noise

When the appliance body heats up and cools down it may make some clicking noises. This is due to the large temperature differences and is not a problem with the appliance.

## Weather Conditions

Varying weather can have an impact on the way the stove burns, especially the wind. An anti-down draught cowl might need to be fitted (speak to a specialist) or a flue damper may also be of help.

Mist and fog may also have an impact on the chimney draught and you will need to change the settings you are using on the stove.

## Fire Goes Out After A Short Time

Check the flue draught of the stove is not too strong or too low.

Is the air vent blocked?

Check use of air controls (please refer to these instructions).

Ensure that the amount of kindling used is enough to light the added fuel.

Try heating the flue/chimney up first to ensure air pressure is not allowing the flue to operate correctly.

## PACKAGING

**All our packaging both for our stoves and spares is recyclable. For information detailing where it can be disposed check with your local council.**



If any further help is needed then please refer to the Help section on our website - <https://www.hunterstoves.co.uk/helpandsupport> or contact your dealer.

# WARRANTY



## Hunter Stoves Group Ltd Extended 5 and 10 year Warranty

### 2 Year Standard Warranty

Any appliance bought through the showroom of an authorised Hunter Stoves Group dealership will automatically be covered by our standard 2-year conditional guarantee.

However, this standard 2-year warranty can be extended to a 5-year or 10-year conditional warranty dependent on the model type (5 years - Boiler model and Gas models, 10 year - Room heater).

To qualify for this extended warranty option, you need to:

1. Register your purchase online at <https://www.hunterstoves.co.uk/ProductRegistration>
2. Retain your proof of purchase.

### Warranty Conditions

For the Standard 2 year or extended 5/10-year warranty to be valid and to remain in force throughout the warranty period the following must have been carried out:

1. The appliance must have been installed by an appropriately qualified engineer (from the Competent Person Scheme/Gas Safe) in accordance with the manufacturer's instructions and in compliance of any relevant national or local building regulations. Please visit the following links for details on the Competent Person Scheme: <https://www.gov.uk/guidance/competent-person-scheme-current-schemes-and-how-schemes-are-authorized> and Gas Safe register: <https://www.gassaferegister.co.uk/>
2. The appliance will need to be registered within two months of purchase and the commissioning and installation documentation completed (these need to be kept by the end user).
3. The appliance must be serviced within 12 months of the installation date for the second year of the standard warranty to be valid, and within every 12-month anniversary thereafter to maintain the validity and coverage of any extended warranty. For this purpose, the installation and user instructions, supplied with the appliance, makes a provision for receipts and annual services to be recorded. This is needed in the event of a claim during the warranty period.
4. Only genuine Hunter Stoves spare parts or consumables can be used in the servicing and maintenance of the appliance during any standard or extended warranty period. These can be sourced from your authorised supplier directly or through our website spares portal. [www.hunterstoves.co.uk/spares](http://www.hunterstoves.co.uk/spares).
5. Any problems or issues giving rise to any claim under the standard or extended warranty must be submitted to the authorised Hunter Stoves Group retailer from whom you originally purchased the appliance. Hunter Stoves Group will then offer appropriate support and help through your original authorised supplier to solve any issues.
6. The standard or extended warranty option is not transferable. It is solely for the benefit of the original purchaser of the appliance. For this purpose, please retain the proof of purchase.

### Warranty Exclusions

#### For Solid Fuel Stoves:

Glass and rope/ceramic seals  
Fire bricks  
Baffles/Throat Plates  
Log retainers, grate supports and catch bars  
Grate parts  
Ashpans  
Clip-in Boilers

#### For Gas Stoves:

Gas pilot assemblies  
Thermocouples and Oxy pilots  
Ceraic log and coal 'fuel-effects'  
Batteries

## Paint and Surface Coverings

The paint or surface covering of the appliance will be covered (for 2 years after installation) provided the warranty conditions are met. However, damage due to the following events will not be covered:

1. Damage to the paint surface caused by the appliance being stored in a damp and cold environment is not covered under warranty. Please be aware that any moisture within the room where the stove is installed e.g. through clothes drying, can be a cause of paint issues.
2. In the course of the initial firings of the appliance the paint or enamel surface may change colour. This is normal and as such is therefore not covered under warranty.
3. Damaged caused by over firing, resulting in cracking, bubbling or discolouration to the paint or enamelled surface finish is not covered under warranty.

## Warranty Limitations

1. Damage to the appliance due to specific local conditions caused by draft or chimney defects.
2. Damage resulting from installation and use where installation is not in accordance with the manufacturer's instructions or local building and/or safety regulations.
3. Damage or premature wear caused by burning inappropriate fuels such as Bituminous coal, "Petro-Coke" or any other Petroleum based coals. Please visit the HETAS website, [www.hetas.co.uk](http://www.hetas.co.uk), for a full list of approved fuels which are covered by the warranty. Fuels outside of this list are not covered by the warranty.
4. Damage caused by burning material with high creosote content or any other painted/treated timber.
5. Consequential loss to associated non-Hunter Stoves Group products is not covered under the warranty.
6. Consequential loss relating to decorations, soft furnishings or other household assets is not covered under the warranty.
7. Cost associated with the removal and re-installation of an appliance subject to a warranty claim.

Hunter Stoves Group total liability will only extend to the total purchase price paid for the goods in any warranty claim. Hunter Stoves Group reserve the right to replace, repair or refund to value of goods purchased.

**ANY HUNTERS STOVES GROUP PRODUCT PURCHASED VIA AN INTERNET SUPPLIER, OR THROUGH AN UNAUTHORISED STOCKIST WILL ONLY BE SUPPORTED BY THE STATUTORY, 12 MONTH GUARANTEE AND WILL NOT QUALIFY FOR ANY EXTENDED 5 OR 10 YEAR WARRANTY.**

The Hunter Stoves Group extended warranty option does not affect your statutory rights.

This revised standard or extended 5 or 10-year warranty option comes into effect on 1st September 2015 and will apply to all appliances sold from that date.

This standard/extended warranty applies to purchases of Hunter Stoves within the United Kingdom and the Republic of Ireland. Purchases in all other countries are subject to the warranty conditions specified by the distributor in those markets.



Hunter Stoves Ltd, 8 Emperor Way, Exeter Business Park, Exeter, Devon, EX1 3QS

[www.hunterstoves.co.uk](http://www.hunterstoves.co.uk) Email: [info@hunterstoves.co.uk](mailto:info@hunterstoves.co.uk)



hunterstoves  
GROUP

8 EMPEROR WAY EXETER DEVON EX1 3QS  
INFO@HUNTERSTOVES.CO.UK WWW.HUNTERSTOVES.CO.UK

Hunter Stoves reserve the right to change dimensions and procedures described in these instructions at anytime without special notice.