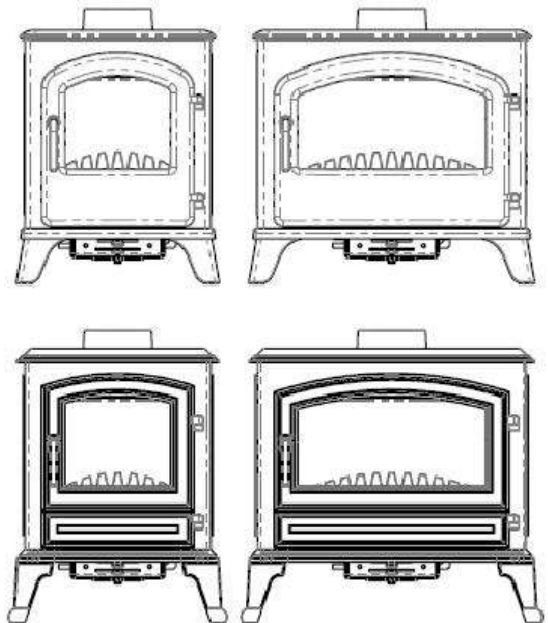


# BROSELEY

## Installation & Operating Instructions



### Covering Models:

York Midi SE, York Grande SE, Serrano 5 SE, Serrano 7 SE,  
**Standard & Log Store Multifuel Stoves**



Tested to EN 13240



*These appliances must be installed and commissioned by a HETAS registered engineer*

# BROSELEY

## Contents

Introduction	3
Packing List	3
Health & Safety	4
Specifications	5
Dimensions	6
Hearth Requirements & Clearances	8
Chimney Requirements	9
Combustion Air Requirements	10
Assembly	11
Stove Operation	
Controls Layout	14
Controls Explained	15
Air wash System	15
Ash Pan	15
Recommended Fuels	16
Lighting the Stove	
Kindling Stage	17
Burning Wood & Burning Coal	18
Smoke Exempt Requirements	19
Lighting Sequence (in a smoke controlled area)	20
Warning Notes	20
Maintenance	
Ash Removal	21
Chimney Fires	21
Chimney Sweeping	21
General Stove Cleaning	21
Glass Cleaning	21
Annual Stove Service	21
Trouble-shooting	22
Commissioning Form	23
Spare Parts	24
EC Declaration	25
Annual Service Record	27
Warranty	28

# BROSELEY

## Introduction

May we take this opportunity to thank you for choosing one of our cast iron, multifuel stoves.

The term multifuel refers to the fact that the appliance is capable of burning either wood logs or coal (that is suitable for closed appliances). Both of these fuels have very different air requirements in order for them to burn correctly, therefore the air controls need to be operated differently depending on the fuel being burned (see section “Stove Operation”).

See the section “Lighting the Stove” for further details. After reading this document, if there is anything you are unsure about, please contact your dealer or our Technical Support Department.

These instructions cover the basic principles to ensure the satisfactory installation of the stove, although detail may need slight modification to suit particular local site conditions. In all cases the installation must comply with current Building Regulations, Local Authority Byelaws and other specifications or regulations as they affect the installation of the stove.

It should be noted that the Building Regulations requirements may be met by adopting the relevant recommendations given in British Standards BS 8303 and BS EN 15287-1 2007 + A1 2010 as an alternative means to achieve an equivalent level of performance to that obtained following the guidance given in Approved Document J.

**Please note that it is a requirement under the Broseley Fires warranty system that the installation of the stove is carried out by a Competent Person registered with a Government approved Competent Persons Scheme. HETAS Ltd operate such a Scheme and a listing of their Registered Competent Persons can be found on their website at [www.hetas.co.uk](http://www.hetas.co.uk).**

## Packing List

1x Cast-iron stove	2x Cast iron side firebricks
1x Ash Tool (poker)	1x Cast iron rear firebrick
1x Instruction booklet	1x Cast iron baffle
1x Heat Proof Gloves Set	1x Cast iron grate
1x Spigot (flue collar)	1x Steel Ash pan

All parts will be inside the main stove body upon delivery. The spigot will generally be bolted to the outside of the stove body.

# BROSELEY

## Health & Safety

Special care must be taken when installing the stove such that the requirements of the Health and Safety at Work Act are met.

### Installation

This appliance **MUST** be installed and commissioned by a HETAS registered installer in England and Wales and a fully qualified Heating Engineer in Scotland and Ireland.

### Handling

Adequate facilities must be available for loading, unloading and site handling.

### Fire Cement

Some types of fire cement are caustic and should not be allowed to come into contact with the skin. In case of contact wash immediately with plenty of water.

### Asbestos

This stove contains no asbestos. If there is a possibility of disturbing any asbestos in the course of installation then please seek specialist guidance and use appropriate protective equipment.

### Metal Parts

When installing or servicing this stove care should be taken to avoid the possibility of personal injury.

### CO Alarms

Building regulations require that whenever a new or replacement fixed solid fuel or wood/biomass appliance is installed in a dwelling an audible carbon monoxide alarm must be fitted in the same room as the appliance. Further guidance on the installation of the carbon monoxide alarm is available in BS EN 50292:2002 and from the alarm manufacturer's instructions. Provision of an alarm must not be considered a substitute for either installing the appliance correctly or ensuring regular servicing and maintenance of the appliance and chimney system.

### Fire Guards

When using the stove in situations where children, aged and/or infirm persons are present a fireguard must be used to prevent accidental contact with the stove. The fireguard should be manufactured in accordance with BS 6539.

### Aerosol Sprays

Do not use an aerosol spray on or near the stove when it is alight.

### Operating Tool & Gloves

Always use the operating tool and glove provided when handling parts likely to be hot when the stove is in use.

# BROSELEY

## Specifications

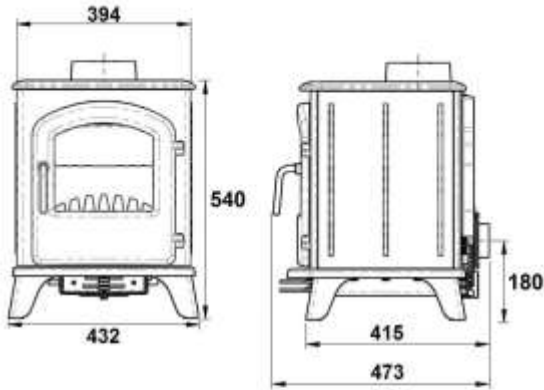
In the UK these stoves have been approved by HETAS Ltd as intermittent heating appliances for burning coal suitable for a closed appliance and wood logs only.

	York Midi	Serrano 5	York Grande	Serrano 7	Serrano 5 Logstore	Serrano 7 Logstore
Nominal Heat Output (Wood) kW	4.9	4.9	7.5	7.5	4.9	7.5
Nominal Heat Output (Ancit) kW	5	5	7.4	7.4	5	7.4
Efficiency (Wood) %	79.3	79.3	77	77	79.3	77
Efficiency (Ancit) %	77	77	69.5	69.5	77	69.5
Weight Kg	100	97	122	120	126	157
Flue Diameter mm	125	125	125	125	125	125
Flue Diameter Inches	5	5	5	5	5	5
Flue Draft Min Pa	12	12	12	12	12	12
Flue Draft Max Pa	18	18	18	18	18	18
Flue Temp (Wood) °C	250	250	260	260	250	260
Flue Temp (Ancit) °C	205	205	292	292	205	292
CO Emission (@ 13% O2 Burning Wood) %	0.77	0.77	0.38	0.38	0.77	0.38
CO Emission (@ 13% O2 Burning Ancit) %	0.59	0.59	0.27	0.27	0.59	0.27
Flue Mass Flow (Wood) g/s	3.4	3.4	7	7	3.4	7
Flue Mass Flow (Ancit) g/s	4.9	4.9	10.4	10.4	4.9	10.4

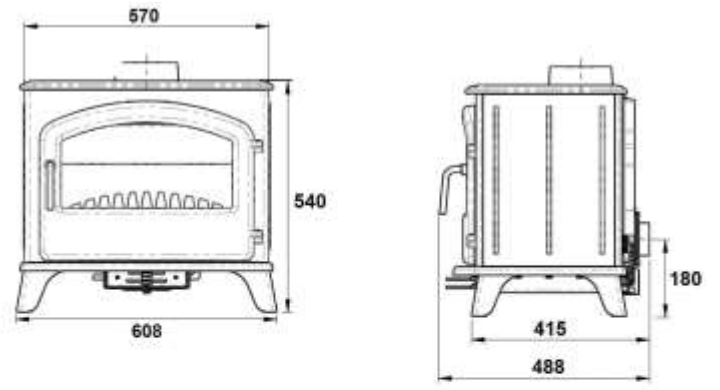
# BROSELEY

## Dimensions

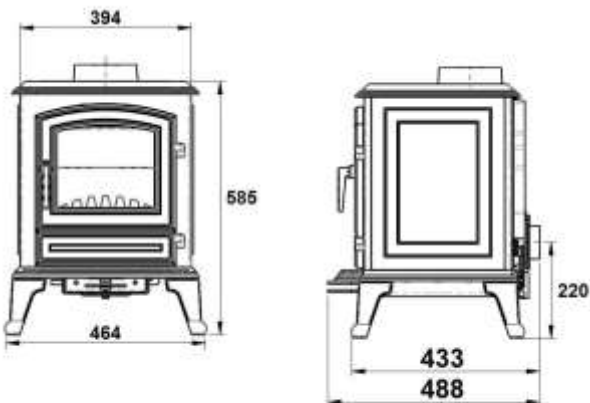
Serrano 5 SE



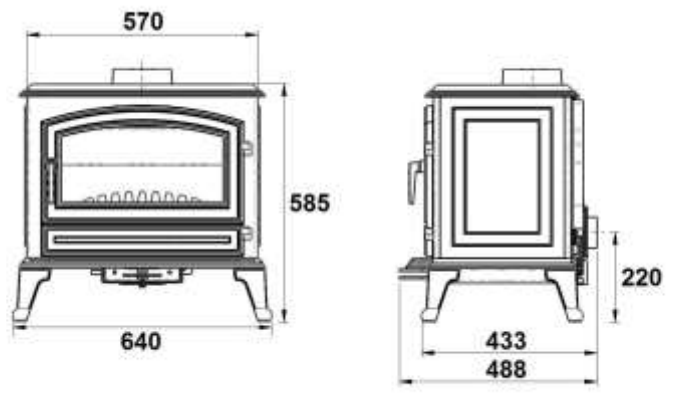
Serrano 7 SE



York Midi SE



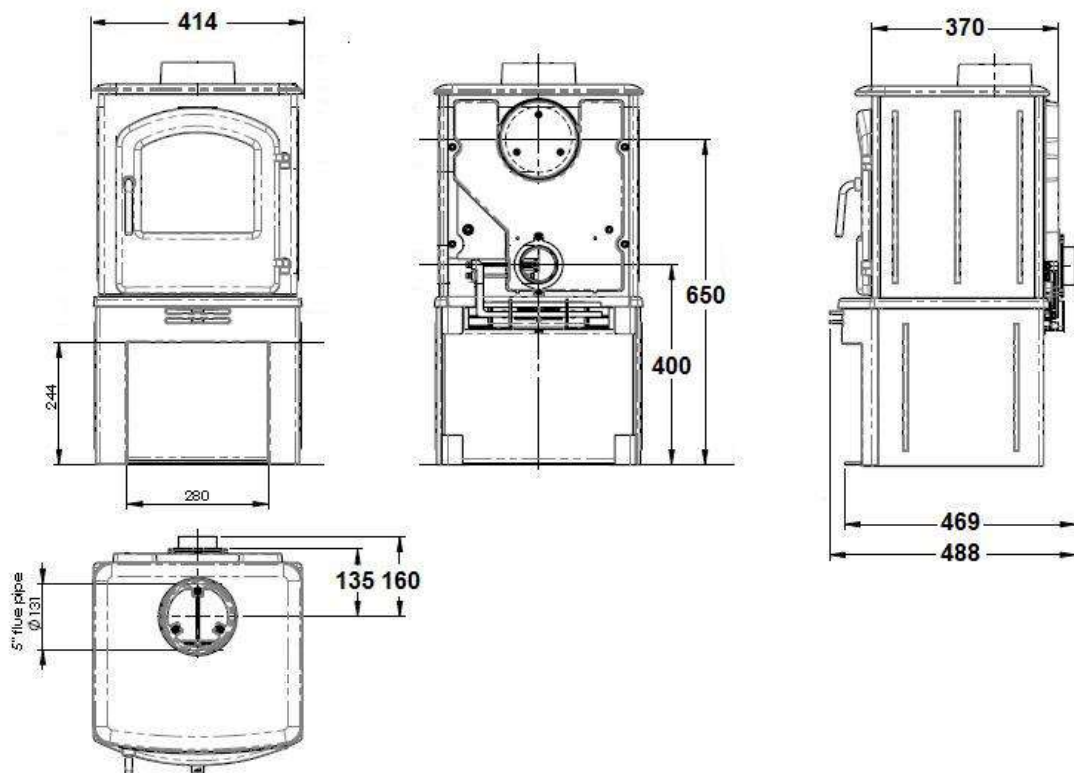
York Grande SE



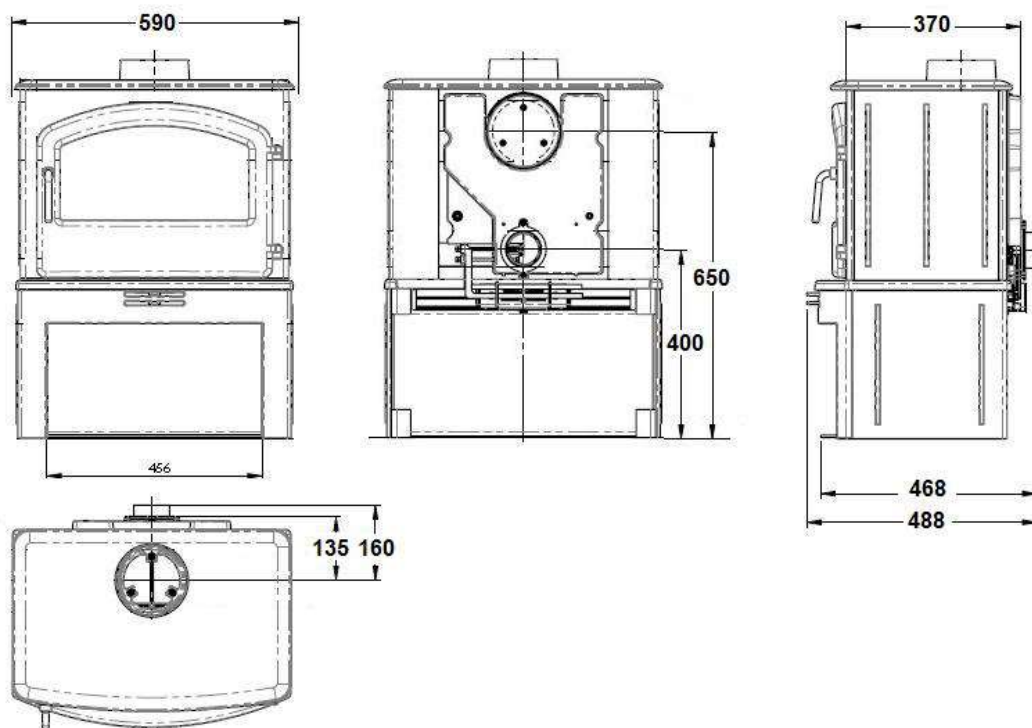
# BROSELEY

## Dimensions

Serrano 5 SE Logstore



Serrano 7 Logstore



# BROSELEY

## Hearth Requirements & Clearances

These appliances are ALL suitable for the minimal 12mm hearth's and do not require a full constructional sub-hearth.

Your stove must be installed on a solid, level non-combustible hearth. The hearth protrusion in front of the stove to carpets or wooden floors must be at least 300mm. As it is possible, that on opening the door of the stove for fuel to fall out, a fender must be fitted if the hearth is flush with the carpet.

### Clearances

The stove requires the following clearances around it to ensure the heat is released into the room and to allow sufficient combustion air flow. A combustible material clearance is given to prevent damage to any items that may be affected by heat.

Product	Material	Rear	Side	Hearth	Above
Serrano 5 SE York Midi SE	Combustible	400mm	750mm	300mm	600mm
	Non-combustible	100mm	100mm	300mm	100mm
Serrano 7 SE York Grande SE	Combustible	550mm	550mm	300mm	600mm
	Non-combustible	100mm	100mm	300mm	100mm
Serrano 5 SE Logstore	Combustible	300mm	575mm	300mm	600mm
	Non-combustible	100mm	100mm	300mm	100mm
Serrano 7 SE Logstore	Combustible	400mm	400mm	300mm	600mm
	Non-combustible	100mm	100mm	300mm	100mm



# BROSELEY

## Chimney Requirements

This appliance must not be fitted into a chimney serving another heating appliance. It is most important that there is no obstruction in the flue or chimney. Please ensure that any existing chimney is clear of obstruction and swept clean immediately before installation of the new stove. If the chimney has been used for an open fire it is recommended that it be swept for a second time having been used for a month following installation.

A flue draught minimum of 12 Pascals to a maximum 18 Pascals is required for satisfactory appliance performance. A properly built masonry or factory constructed chimney (with a minimum vertical height of 5 metres) should ensure a consistent draught (draw). 45° bends can be used in the flue run (maximum of four bends) you will need to add an extra 1 metre of vertical flue height for each bend.

The flue draught should be checked under fire at high output and if it exceeds the recommended maximum, a draught stabiliser must be fitted so that the rate of burning can be controlled, and to prevent over firing (See section "Warning Notes"). If you have any doubts about the suitability of your chimney, consult your local dealer/stockist or engineer. If your flue draft is below the minimum recommendation then it may be necessary to increase the vertical chimney height, add additional flue insulation or possibly add a special cowl to the top of the chimney (e.g. anti down draft cowl to eliminate wind induced down draft).

The outlet from the chimney should be above the roof of the building in accordance with the provisions of Building Regulations Approved Document J.

If installation is into an existing chimney then it must be sound and have no cracks or other faults which might allow fumes into the house. Older properties, especially, may have chimney faults or the cross section may be too large i.e. more than 230 mm x 230 mm. Remedial action should be taken, if required, seeking expert advice, if necessary. If it is found necessary to line the chimney then a flue liner suitable for solid fuel must be used in accordance with Building Regulations Approved Document J.

If there is no existing chimney then either a prefabricated block chimney in accordance with Building Regulations Approved Document J or a twin walled insulated stainless steel flue to BS 4543 can be used. These chimneys must be fitted in accordance with the manufacturer's instructions and Building Regulations.

If a flexible liner is required the liner diameter must not be less than 5" / 125mm.

Any bend in the chimney or connecting fluepipe should not exceed 45°. 90° bends are not permitted. . For top flue installations it is possible to sweep through the appliance by removing the internal baffle however it is recommended that you provide adequate access (e.g. easily accessible soot door). For rear flue connection we recommend the use of a tee section, the bottom of the tee should be capped to catch soot and debris.

# BROSELEY

## Combustion Air Requirements

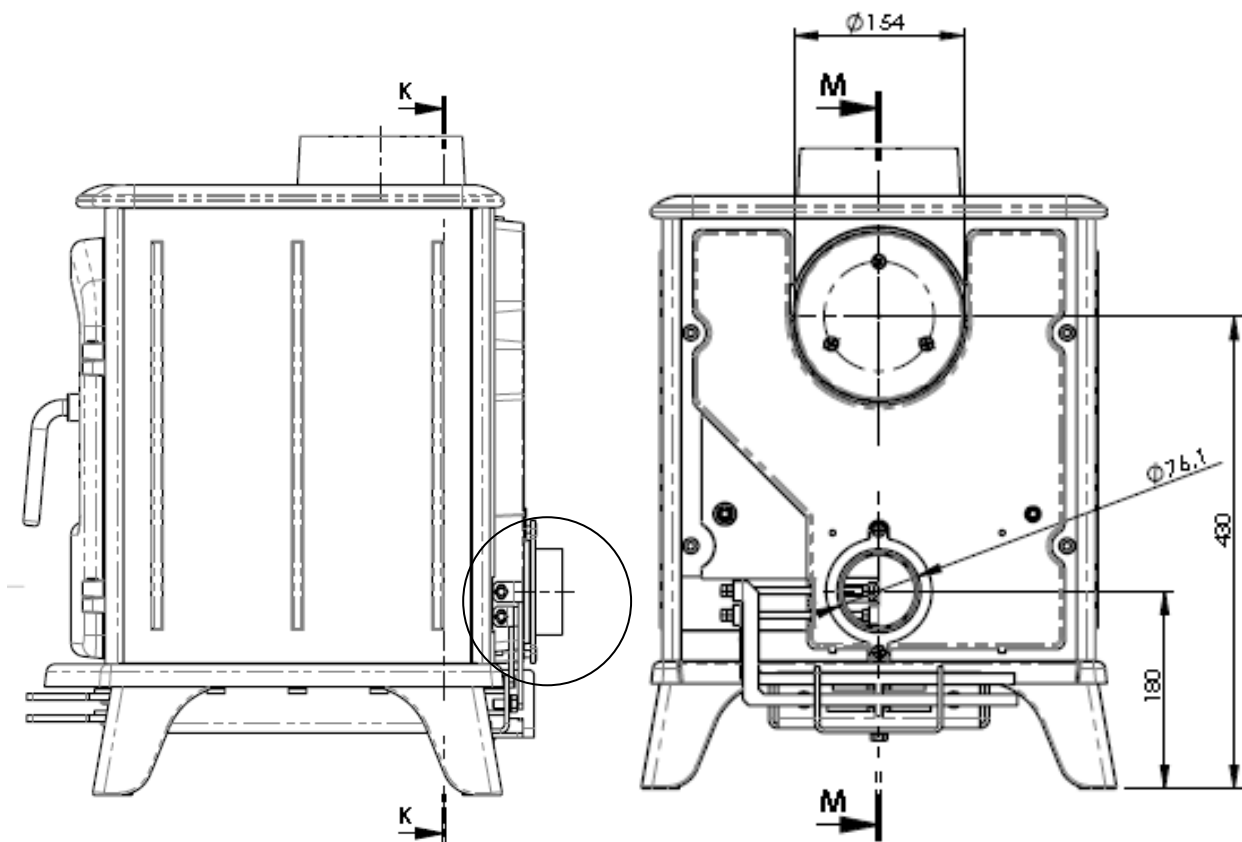
In order for the stove to perform efficiently and safely there should be an adequate air supply into the room in which the stove is installed to provide combustion air. This is particularly necessary in modern houses where drafts have been almost eliminated by double glazing etc.

**Under UK building regulations any appliance over 5kW MUST have a fixed permanent air vent (see building regulations approved document J for further information).**

There must not be an extractor fan fitted in the same room as the stove as this can cause the stove to emit fumes into the room. It is necessary to install a wall vent to provide the necessary combustion air and to prevent the depletion of oxygen in the room.

### External Air Intake

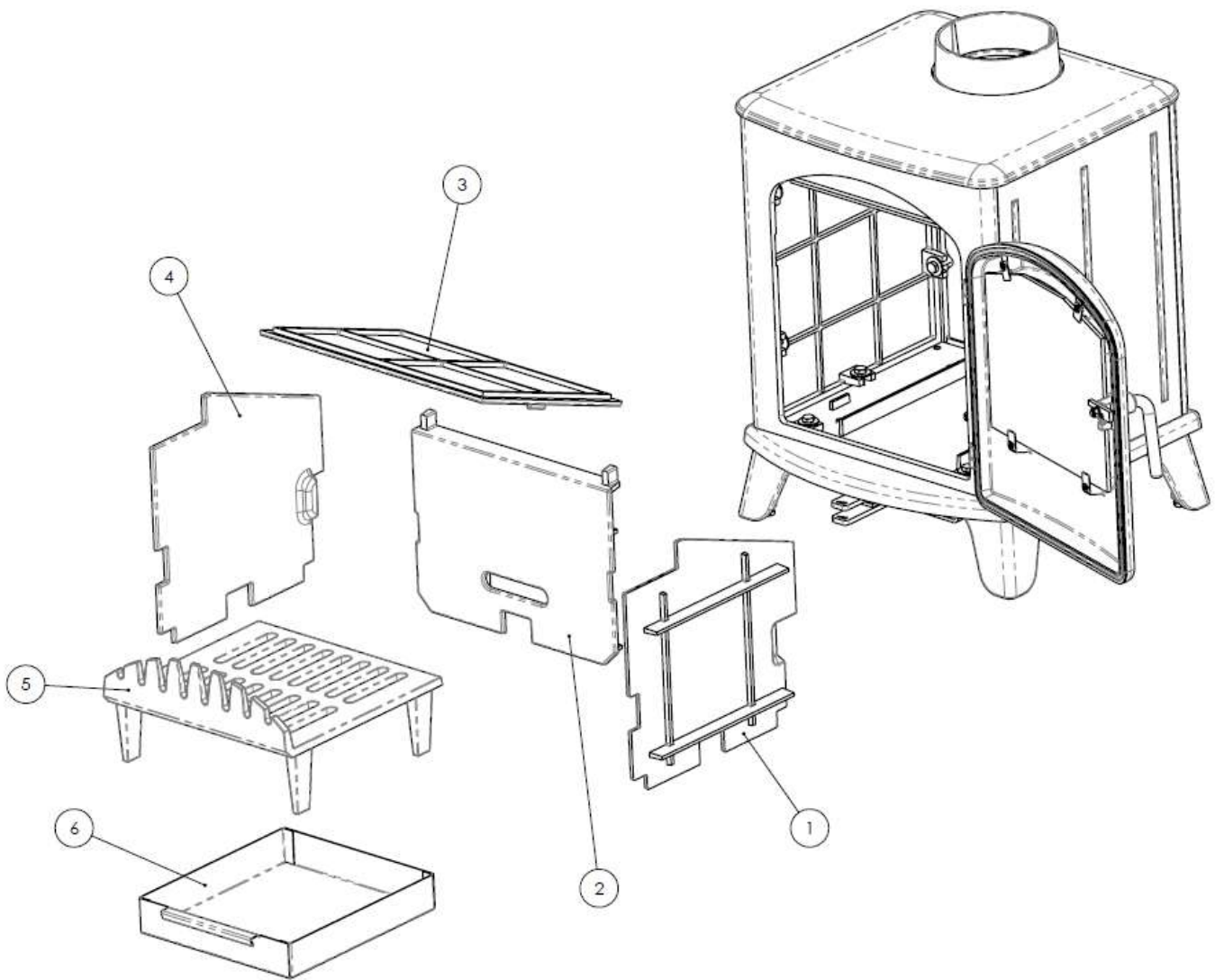
It is possible to connect a direct air supply to the stove by attaching a 75mm (3 Inch) diameter flexible pipe to the air intake shown below using a jubilee clip (rear of stove at the bottom). Please note that the flexible pipe and jubilee clip are NOT provided.



# BROSELEY

## Assembly

The diagram below shows the stove with all internals taken out. To take internals out of the stove follow the numbered sequence backwards from 6 down to 1.

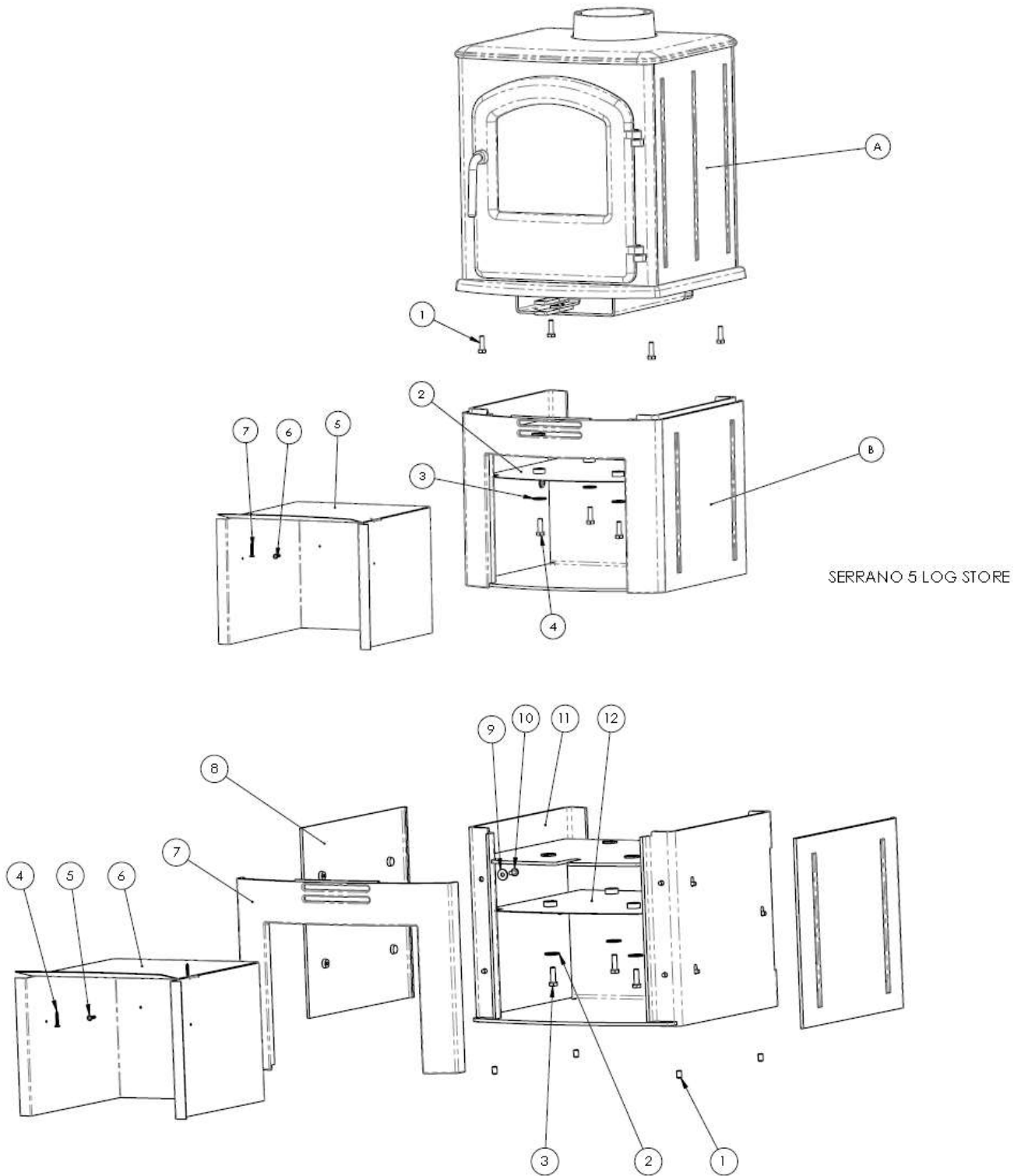


To refit the internals follow the numbered sequence from 1 – 6. The firebricks should fit quite snug however small gaps are acceptable due to cast iron tolerances. Be careful not to trap or squash fingers at this stage.

# BROSELEY

## Assembly

It is possible to remove the stove from the store ( Serrano log store versions) this may be necessary for transport purposes. The diagram below shows the locations of the fixings (4x bolts labelled 1) which hold the stove to the log store.

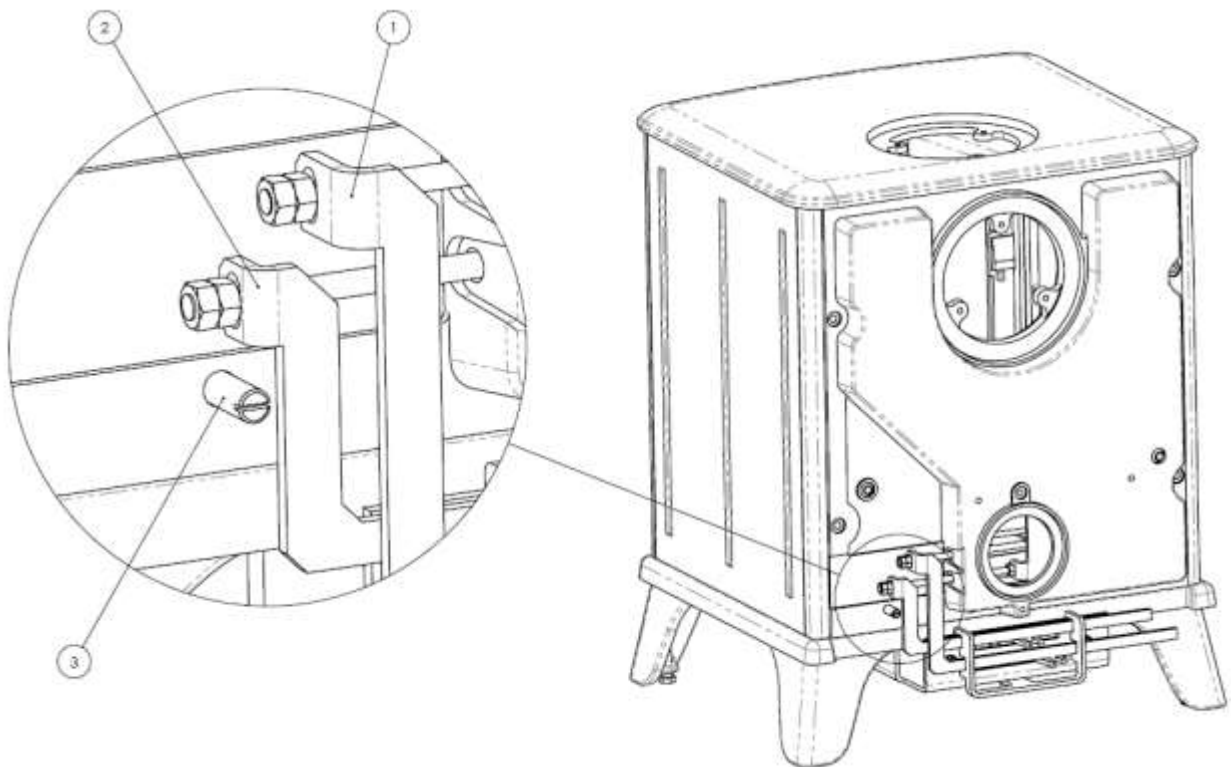


# BROSELEY

## Assembly

### Smoke exempt modification

Your stove will come pre-set for use in a smoke control zone. The threaded bar indicated on the diagram below (marked 3) prevents the air slider from fully closing, this allows a small amount of combustion air into the fire chamber to comply with smoke control regulations.

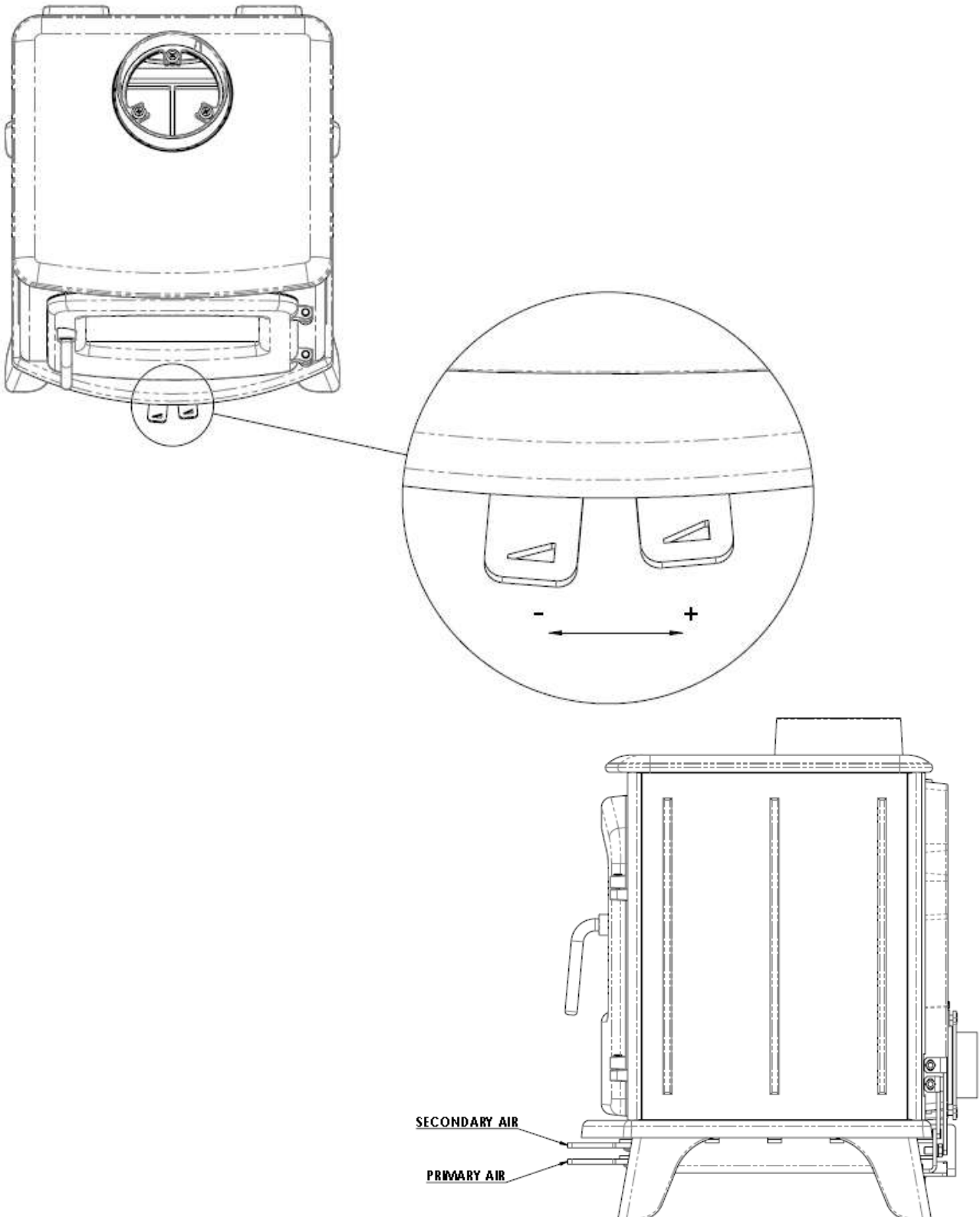


If the stove is being installed into a property which is not in a smoke control zone, you can simply screw the threaded rod into the stove (this will allow the slider to fully close and cut off the air supply)

# BROSELEY

## Controls Layout

The stove is fitted with two air controls which need to be correctly operated in order to light and maintain a fire. Both controls are situated below the ash lip of the stove (as indicated on the diagram below) and are in the form of sliders.





# BROSELEY

## Controls Explained

### Primary Air Intake

The primary air intake is the bottom slider situated below the ash lip at the front of the stove. Having the slider pushed to the left (Shown centrally in the diagram previous) would indicate the intake is closed. When the slider is moved fully to the right the intake is completely open. This particular air intake is adjustable throughout the area left to right to control the total amount of air required for suitable combustion.

The primary air intake is used on initial firing of the stove or when burning coal etc. Please see the **BURNING COAL** for a more in depth description.

### Secondary Air Intake

The secondary air intake is the top slider situated under the ash lip at the front of the stove. Having the lever to the left indicates the air intake is closed. Having the lever fully to the right indicates the air intake is open. This particular air intake is adjustable fully through left to right so the slider can control the total amount of air required for suitable combustion

The secondary air intake works by opening a flap located at the back of the stove. The flap slides left to right allowing air into the rear air tunnel.

The flap allows air to flow up the tunnel along the back and then across the top of the inside of the stove. This air then becomes warm and is pushed down the back of the glass creating the **AIRWASH** system – see below. The air wash system allows the glass to remain soot and particle free. This particular design also allows the air to be released on top of the grate which is ideal when burning wood products. Please see section **BURNING WOOD**.

### Air wash System

Air wash is a system where secondary air is drawn into the stove (by combustion) through the air control under the ash lip and is deflected down the back face of the glass, thus preventing the smoke coming into contact with the glass. It does not mean that you will never have to clean the glass, but substantially lengthens the periods between having to do so. The air-wash system works best when burning dry wood. Wet wood will produce more deposits on the glass. Also, deposits will form on the back of the glass when the stove is operated on low heat for extended periods (where fuel is only just smouldering).

### Ash Pan

The ash pan can be removed using the ash tool which is intended to hook the ash pan out onto the ash lip of the stove where you can then pick it up using the glove provided. It is recommended this is done when the stove is cold and not alight.

# BROSELEY

## Recommended Fuels

This appliance has obtained approval from HETAS Ltd., for burning –

- \* HETAS approved coal suitable for a closed appliance.
- \* Split Wood logs not exceeding 35cms in length and not over 20% moisture content.

Approval does not cover the use of other fuels either alone or mixed with the suitable fuels listed above.

Although approval covers the use of the smokeless fuels listed, the claimed rated output, has been obtained burning a single representative smokeless fuel, under standard test conditions. However, in the home, a variety of operating conditions can occur and the performance of the appliance may vary to some degree with these conditions and different fuels may need to be burnt at different rates to provide the same heat output.

The recommended fuels are Wood logs no longer than 35cms (dry, seasoned to under 20% moisture) and solid mineral fuels (e.g. Natural smokeless fuels) Larger coal briquettes are recommended as they concentrate less heat in one spot reducing the likelihood of damage to the grate. Ask your local fuel merchant or consult the HETAS website for more details on these fuels.

**Only authorised smokeless fuels may be used in smoke control areas.**

**Do NOT burn “House coal” or any other coal which are intended for use on open fires.** Suitable coal needs to be designed for use on closed appliances. Open fires send a large amount of heat up the chimney therefore the fuel needs to burn extremely hot in order to send heat into the room, closed appliances are highly efficient and send little heat up the chimney therefore the fuel does not need to burn as hot. Using open fire coal on a closed appliance will cause excessive wear on the stove and could result in damage which will not be covered by the products warranty.

**Under NO circumstances burn “petroleum coke”** or any other chemically enhanced fuel as it will burn out the internal grate and baffle plates in a very short period of time and may damage the stove beyond repair.

**Do NOT burn wet wood,** This will give a poor heat output and will cause heavy deposits of soot and tar to accumulate on the glass and throughout the stove and flue. The coating of soot and tar in the chimney is volatile creating a high risk of chimney fires. A growing tree contains a high percentage of water, the wood needs to be dried out (seasoned) before it is suitable for burning (this can take several years). Wood logs are best stored in a stack, sheltered from the weather, in a well ventilated area and raised off the ground. This allows the air to circulate and prevents mildew.



# BROSELEY

## Lighting the Stove

### Curing

On initial firing you will notice a very pungent odour, this is caused through the curing of the paint, we recommend starting with short burning sessions (with smaller quantities of fuel) and build up gradually to allow the components of the stove to settle. Opening doors and windows will allow the paint curing odour to dissipate and to allow ventilation into the room. Curing times can vary but typically should take around 8-12 hours (operation at high output) to complete.

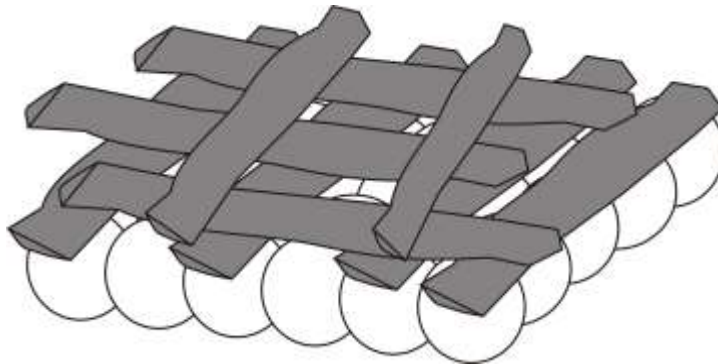
### Kindling

#### Stage 1

With the Primary (Bottom Slider) and Secondary (Top Slider) air controls in the fully open position and the door open, start your fire using twists of newspaper (or scrunched up balls) to form a bed on the grate. Place a generous amount of dry kindling onto the newspaper, ensure there is sufficient air gaps between the kindling (a criss cross or pyramid style pattern is ideal to accomplish this).

Kindling -----

Newspaper -----



#### Stage 2

Ignite the paper underneath using a match or suitable fire-lighter. Allow the paper and kindling to burn until it reduces down into hot embers. If the fire is dying during this stage the door can be closed but not latched leaving a small gap for extra combustion air.

#### Stage 3

Add another generous load of dry kindling and allow to burn down.

It may be necessary to repeat stage 3 if the chimney is cold or if you find you have smoke entering the room. This stage is vital for getting heat into the chimney which will create the draw that takes the smoke away, we would expect this stage to take between 15-20 minutes.

**It is critical that you do not leave the stove during the entire lighting and kindling stage.** See Burning wood and Burning Coal sections for the next steps in starting a new fire.

# BROSELEY

## **Burning Wood**

Once you have kindled your stove (see previous page) and your chimney (flue) is sufficiently heated, you are now ready to start adding you logs.

### Stage 4

Place 1-3 small logs onto the bed of hot embers using the gloves provided, close the door and reduce the Primary Air Control to approximately half way. Once the logs turn black the primary air can be fully closed.

### Stage 5

Once the smaller logs have burned down you can now add 2-3 larger ( or full size) logs and close down the Secondary Air Intake as required. You can now control the burn rate of the stove using the secondary air intake, you are looking for a controlled flame (not smouldering in the embers or licking around the lid) this is mostly visual although a flue pipe thermometer will help you determine correct control and is recommended for the initial lightings.

### Stage 6

Refuel as and when required (take care to open the door gradually as flames may lick out). Open both air controls whenever refuelling , once the wood logs turn black the primary control can be closed fully and the fire controlled once again by the secondary control. If you no longer want to keep the fire going simply allow it burn out.

## **Burning Coal**

With kindling complete you are now ready to add your approved coal.

### Stage 4

Using the gloves and provided ash tool, rake the hot embers evenly over the grate and add a small amount of coal. Close the door and allow the coal to ignite then close the Secondary Air approximately half way. (The primary air control should be left fully open)

### Stage 5

When the small load of coal has burned down add a larger load and allow time for the coal to fully ignite, leave the Primary Air Intake fully open. You will now control the burn rate of the stove using the Secondary air intake, you are looking for a controlled flame (not smouldering in the embers or licking around the lid) this is mostly visual although a flue pipe thermometer will help you determine correct control and is recommended for the initial lightings.

### Stage 6

Add coal as and when required. Ensure that you use the ash tool when refuelling coal to poke through any ash and debris so that it falls into the ash pan underneath, this is critical as coal requires a flow of air from underneath the grate.

# BROSELEY

## Smoke Exempt Requirements

### **The Clean Air Act 1993 and Smoke Control Areas**

Under the Clean Air Act local authorities may declare the whole or part of the district of the authority to be a smoke control area. It is an offence to emit smoke from a chimney of a building, from a furnace or from any fixed boiler if located in a designated smoke control area. It is also an offence to acquire an "unauthorised fuel" for use within a smoke control area unless it is used in an "exempt" appliance ("exempted" from the controls which generally apply in the smoke control area).

The Secretary of State for Environment, Food and Rural Affairs has powers under the Act to authorise smokeless fuels or exempt appliances for use in smoke control areas in England. In Scotland and Wales this power rests with Ministers in the devolved administrations for those countries. Separate legislation, the Clean Air (Northern Ireland) Order 1981, applies in Northern Ireland. Therefore it is a requirement that fuels burnt or obtained for use in smoke control areas have been "authorised" in Regulations and that appliances used to burn solid fuel in those areas (other than "authorised" fuels) have been exempted by an Order made and signed by the Secretary of State or Minister in the devolved administrations.

These appliances have been recommended as suitable for use in smoke control areas when burning wood logs.

Further information on the requirements of the Clean Air Act can be found here:

<http://smokecontrol.defra.gov.uk/>

Your local authority is responsible for implementing the Clean Air Act 1993 including designation and supervision of smoke control areas and you can contact them for details of Clean Air Act requirements

### **Refuelling on to a low fire bed**

If there is insufficient burning material in the fire bed to light a new fuel charge, excessive smoke emission can occur. Refuelling must be carried out onto a sufficient quantity of glowing embers and ash that the new fuel charge will ignite in a reasonable period. If there are too few embers in the fire bed, add suitable kindling to prevent excessive smoke

### **Fuel overloading**

The maximum amount of fuel (per hour) for these appliances is 9kg you should not exceed this figure, overloading can cause excess smoke.

### **Operation with door left open**

Operation with the door open can cause excess smoke. The appliance must not be operated with the appliance door left open except as directed in the instructions (Lighting the stove section).

### **Dampers left open**

Operation with the air controls or dampers fully open can cause excess smoke. The appliance must not be operated with air controls left fully open except as directed in the instructions

# BROSELEY

## Lighting Sequence (in smoke controlled areas)

### Using the approved appliance in a smoke controlled area

Ignition sequence – burning wood

For the appliance to burn cleanly, it is important to establish a hot fire as quickly as possible. The following sequence should be followed at the ignition stage:

- Both primary and secondary air intakes should be fully open
- Light a double handful of dry kindling
- Push door to, but do not latch
- When kindling is established (takes around 5 to 10 minutes), add 2 or 3 small logs
- When the fire is established and the smaller logs have blackened, latch the door

**For this sequence, it is advisable that the user be in attendance throughout.**

## Warning Notes

### Over-Firing

It is extremely important that you do NOT leave both of the air controls in the fully open position for extended periods or run the appliance with the door open. Leaving the air controls fully open (or running with the doors open) will lead to “over-firing”. Over-firing is caused when too much heat is generated within the fire chamber, this will lead to warping, buckling and general damage to the stove and its internal components. Over-firing can also be caused by an excessive flue draft.

**PLEASE NOTE ANY DAMAGE TO THE APPLIANCE CAUSED THROUGH OVER-FIRING WILL NOT BE COVERED BY THE WARRANTY.**

We highly recommend the use of a flue pipe thermometer so that you can monitor how much heat you are sending up the chimney, this will both enable efficient operation of your stove and also give a good indication if you are over-firing the appliance.

### Fumes

Properly installed, operated and maintained, this appliance will not emit fumes into the dwelling. Occasional fumes may occur whilst de-ashing and re-fuelling. However, persistent fume emission is potentially dangerous and must not be tolerated. If fume emission does persist, the following immediate actions should be taken:-

- a. Open doors and windows to ventilate the room
- b. Let the fire go out or eject and safely dispose of fuel from the appliance
- c. Check for flue or chimney blockage and clean if required
- d. Do not attempt to relight the fire until the cause of the fume emission has been identified and corrected. If necessary seek expert advice

# BROSELEY

## Maintenance

### Ash Removal

The ash pans can be removed by using the ash tool to hook it forward so that you can grasp the pan using the gloves provided. We would recommend emptying the ash into a metal bucket for transportation.

You should only empty the ash when the appliance and ashes are completely cool and can be disposed of in your normal household refuse.

### Cleaning the Stove

We recommend only doing this when the stove is cold using a soft brush to clean any of the stove surfaces, this is normally sufficient to remove dust, ash and debris. For stubborn marks you can use a damp lint free cloth, ensure that all surfaces are dried off immediately. We do not recommend using any kind of chemicals or abrasive materials. It is possible to touch up the paint using the original metallic black stove paint, however this new paint will then need to cure.

### Glass Cleaning

A damp lint free cloth is normally sufficient, however for stubborn build ups we would recommend using a very fine wire wool.

### Chimney Sweeping

It is essential that your chimney (flue) is swept at least once a year by a registered professional chimney sweep. Sweeping removes particles that could otherwise fuel a chimney fire, it should also highlight any potential issues such as leaks and damage to the flue.

### Chimney Fires

In the event of a chimney fire ensure both Primary and Secondary air controls are fully closed and the door(s) remain closed at all times. If the chimney fire does not go out or if there is a serious risk to people and property, call the fire brigade immediately.

Regular sweeping of the chimney will remove combustible particles and will reduce the risk of chimney fires.

### Stove Servicing

Your stove should be inspected annually to ensure all seals are present and correct and to gauge the condition of the internal components. The service should be done by a HETAS registered engineer who also perform a spillage test and ascertain the correct functioning of the plumbing circuit.

# BROSELEY

## Trouble-shooting

### **Smoke comes out of the stove when the loading door is opened.**

- The chimney cavity into which the 125mm flue pipe has been installed may be less than the minimum requirement.
- Deposits (soot or other obstructions) may have built up in the chimney and be restricting the flow of waste products. This flow rate is known as the 'draw'.
- Insufficient draw, this is especially common during milder weather. You will need to prolong the kindling stage to ensure the chimney (flue) is completely hot (you may even need to pre-heat the chimney using a method advised by the installer)
- Combustion air intake is not large enough or another appliance (e.g. Extractor fan) is taking air away from the stove.

### **The Stove does not produce the expected heat into the room.**

- Has the flue pipe been sealed to the chimney to prevent heat being drawn up the chimney to waste?
- Green or wet wood is being burnt.
- The chimney has excessive draw (this is unusual). Seek installer advice with regard to installing a Flue Draught Stabiliser.
- The stove has been recessed into the existing fireplace and a lot of heat is being absorbed by the surrounding fireplace walls rather than being radiated into the room. Pull the stove forward.
- For the maximum efficiency of heat transference into the room the stove should be sited on the hearth of the fireplace rather than recessed.

### **The Stove burns too fast.**

- Use whole logs rather than split ones.
- The wood being used may be generally too small.
- The "air-tight" seal between the fibre rope on the doors and the casting may have been lost, adjust door handle lock nuts to reinstate this seal or replace.
- The chimney has excessive draw (seek installers advice on this point).
- The fibre rope seal between the door and the glass may be leaking. Tighten or replace.
- The fibre rope on doors and glass has worn out. Replace.

# BROSELEY

## Commissioning Form

### Commissioning Statement and Check-list

Stove Purchased

From: \_\_\_\_\_

Address: \_\_\_\_\_

Telephone Inc area code: \_\_\_\_\_

Installation Date: \_\_\_\_/\_\_\_\_/\_\_\_\_ Stove Name: \_\_\_\_\_

1<sup>st</sup> year service is due 1 year from this date

Product Serial Number: \_\_\_\_\_ Invoice Number: \_\_\_\_\_

Stove installed by: \_\_\_\_\_

Address: \_\_\_\_\_

Telephone Inc area code: \_\_\_\_\_

HETAS Registration Number: \_\_\_\_\_

Check-list (please indicate Yes or No by circling or ticking appropriately)

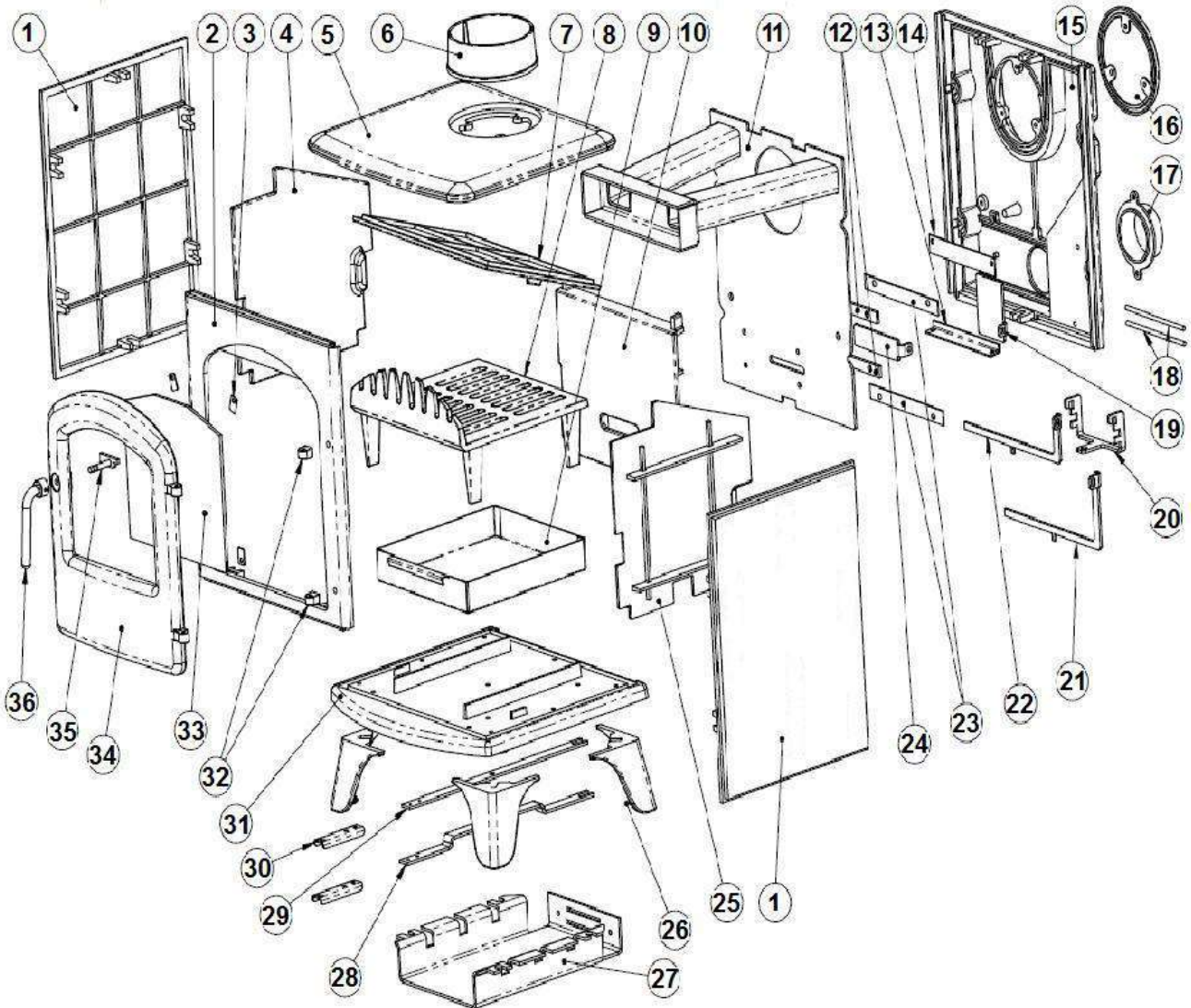
Is the flue system the correct length and diameter for stove:	Yes	No
Flue swept and checked for soundness:	Yes	No
Manufacturers clearances adhered:	Yes	No
Smoke spillage test performed on stove:	Yes	No
Stove controls fully explained to end user:	Yes	No
Correct fuels explained to end customer:	Yes	No
CO Alarm fitted and tested:	Yes	No
Instruction booklet & HETAS certificate handed to end user:	Yes	No

Signature: \_\_\_\_\_ Print Name: \_\_\_\_\_



# BROSELEY

## Spare Parts



- (1) Side (2) Front (3) Glass Clip (4) Left Firebrick (5) Lid (6) Spigot (7) Baffle (8) Grate (9) Ash Pan (10) Rear Firebrick (11) Air Wash Section (12) Slider Bracket 1 (13) Slider Bracket 4 (14) Slider Bracket 3 (15) Rear (16) Blanking Disc (17) Air Inlet (18) Slider Rod (19) Slider 1 (20) Slider Way (21) Slider 2 Pusher (22) Slider 4 Pusher (23) Slider Bracket 2 (24) Slider 2 (25) Right Firebrick (26) Leg (27) Bottom Cover (28) Lever 2 (29) Lever 1 (30) Lever Overlay (31) Base (32) Hinge (33) Glass (34) Door (35) Door Latch (36) Handle



# BROSELEY

## EC Declaration



DECLARATION OF CONFORMITY

ACCORDING TO DIRECTIVES 89/106/EEC (CONSTRUCTION PRODUCTS)



**ISSUED BY:**

**BROSELEY FIRES LTD** KNIGHTS WAY, BATTLEFIELD  
ENT PARK. SHREWSBURY. SY1 3AB ph: +44 (0)1743  
461444

**TYPE OF EQUIPMENT:**

MULTI FUEL STOVE

**TRADEMARK:**

BROSELEY FIRES LTD

**MODEL:**

SERRANO 5 SE, YORK MIDI SE

**USE:**

DOMESTIC SPACE HEATING

**MANUFACTURER:**

**BROSELEY FIRES LTD** KNIGHTS WAY, BATTLEFIELD  
ENT PARK. SHREWSBURY. SY1 3AB ph: +44 (0)1743  
461444

**NOTIFIED BODY:**

**GASTEC**  
0558

**GASTEC AT CRE LTD**  
Stoke Orchard, Cheltenham  
Gloucestershire  
GL52 7RZ

The following harmonised standards and Technical specifications have been met and comply with good engineering practice and safety matters in force within the EEC

All CE standards or other documents

Initial Type Test Reports 60275-1

EN 13240

CE MARKING INFORMATION - See Specification

Particulate/Smoke Conditions Exempt

As the Manufacturer's authorised representative established within the EEC, Broseley Fires Ltd Declare sole responsibility that the product for mentioned follows the provisions of the directives above.

13/11/2013 Shrewsbury UK  
Place and date of issue

  
**STEPHEN GOODWIN**  
Head of Research & Development

# BROSELEY

## EC Declaration



DECLARATION OF CONFORMITY

ACCORDING TO DIRECTIVES 89/106/EEC (CONSTRUCTION PRODUCTS)



**ISSUED BY:**

**BROSELEY FIRES LTD** KNIGHTS WAY, BATTLEFIELD  
ENT PARK. SHREWSBURY. SY1 3AB ph: +44 (0)1743  
461444

**TYPE OF EQUIPMENT:**

MULTI FUEL STOVE

**TRADEMARK:**

BROSELEY FIRES LTD

**MODEL:**

SERRANO 7 SE, YORK GRANDE SE

**USE:**

DOMESTIC SPACE HEATING

**MANUFACTURER:**

**BROSELEY FIRES LTD** KNIGHTS WAY, BATTLEFIELD  
ENT PARK. SHREWSBURY. SY1 3AB ph: +44 (0)1743  
461444

**NOTIFIED BODY:**

**GASTEC**  
0558

**GASTEC AT CRE LTD**  
Stoke Orchard, Cheltenham  
Gloucestershire  
GL52 7RZ

The following harmonised standards and Technical specifications have been met and comply with good engineering practice and safety matters in force within the EEC

All CE standards or other documents

Initial Type Test Reports 60275-1

EN 13240

CE MARKING INFORMATION - See Specification

Particulate/Smoke Conditions Exempt

As the Manufacturer's authorised representative established within the EEC, Broseley Fires Ltd Declare sole responsibility that the product for mentioned follows the provisions of the directives above.

13/11/2013 Shrewsbury UK  
Place and date of issue

  
**STEPHEN GOODWIN**  
Head of Research & Development

# BROSELEY

## Annual Service Record

**1ST YEAR SERVICE completion date:**

SERVICE ENGINEER: \_\_\_\_\_ REG. No. \_\_\_\_\_  
COMPANY NAME: . \_\_\_\_\_  
COMPANY ADDRESS: . \_\_\_\_\_  
\_\_\_\_\_  
CONTACT NUMBER \_\_\_\_\_ POSTCODE: \_\_\_\_\_

**2ND YEAR SERVICE completion date:**

SERVICE ENGINEER: \_\_\_\_\_ REG. No. \_\_\_\_\_  
COMPANY NAME: . \_\_\_\_\_  
COMPANY ADDRESS: . \_\_\_\_\_  
\_\_\_\_\_  
CONTACT NUMBER \_\_\_\_\_ POSTCODE: \_\_\_\_\_

**3RD YEAR SERVICE completion date:**

SERVICE ENGINEER: \_\_\_\_\_ REG. No. \_\_\_\_\_  
COMPANY NAME: . \_\_\_\_\_  
COMPANY ADDRESS: . \_\_\_\_\_  
\_\_\_\_\_  
CONTACT NUMBER \_\_\_\_\_ POSTCODE: \_\_\_\_\_

**4TH YEAR SERVICE completion date:**

SERVICE ENGINEER: \_\_\_\_\_ REG. No. \_\_\_\_\_  
COMPANY NAME: . \_\_\_\_\_  
COMPANY ADDRESS: . \_\_\_\_\_  
\_\_\_\_\_  
CONTACT NUMBER \_\_\_\_\_ POSTCODE: \_\_\_\_\_

**5TH YEAR SERVICE completion date:**

SERVICE ENGINEER: \_\_\_\_\_ REG. No. \_\_\_\_\_  
COMPANY NAME: . \_\_\_\_\_  
COMPANY ADDRESS: . \_\_\_\_\_  
\_\_\_\_\_  
CONTACT NUMBER \_\_\_\_\_ POSTCODE: \_\_\_\_\_

**6TH YEAR SERVICE completion date:**

SERVICE ENGINEER: \_\_\_\_\_ REG. No. \_\_\_\_\_  
COMPANY NAME: . \_\_\_\_\_  
COMPANY ADDRESS: . \_\_\_\_\_  
\_\_\_\_\_  
CONTACT NUMBER \_\_\_\_\_ POSTCODE: \_\_\_\_\_

**Receipts should be retained for each service beyond year six.**

# BROSELEY

## Warranty

This appliance must be installed and commissioned by a fully qualified, registered engineer. A "Declaration of completion Certificate" must be obtained for the installation and retained by the end user. Failure to comply with these requirements may void your warranty. You, as the end user, have a contract by law with the supplier / dealer from whom you purchased the product. That dealer then has the same contract with the manufacturer or wholesaler and these have a contract with their suppliers.

### ALL CLAIMS MUST FOLLOW THIS PROCEDURE.

Thank you for choosing a Product from **Broseley Fires Ltd**. This warranty gives you specific legal rights. The statutory rights of the consumer are not affected by the warranty, or the consumers' rights against the dealer arising from their sales / purchase contract.

#### The manufacturers' warranty:

Your Product will be free from defective parts, material, and workmanship at the time of its original purchase for a period of Five (5) years. This Warranty will become active as of one month from the date of delivery.

This warranty does not cover any failure of the unit due to normal wear and tear, misuse, abuse, accident, illegal modification, illegal installation or repair, damage resulting from improper use or failure to maintain the product. Variations in color and texture are a natural characteristic of cast iron products. Colour changes may result from exposure to light and other elements which are a part of the aging process. These material variations and changes are not covered by this warranty. If during the warranty period, this Product fails to operate under normal use and service, due to defects in material and / or workmanship, Broseley Fires will either repair or replace the product. The repaired or replaced product shall be warranted for the remaining period of the original warranty + the time taken to days from the date of repair, whichever is longer.

Repair or replacement may involve the use of functionally equivalent reconditioned units. Replaced parts or components will become the property of Broseley Fires.

Should you wish to claim under the warranty, please contact the supplier / dealer from whom you purchased the appliance. Do not claim directly to Broseley Fires, as they are unable to process any direct claim from an end user.

Product design and any specifications are subject to change without notice. This is due to our continuous product development and improvement. The buyer will not be entitled to request free upgrades to the new design or compensation for previously purchased products or any products on order.

- This Warranty covers all Broseley Fires costs within the Warranty period.

If the appliance remains uninstalled for a period greater than six months from date of delivery the Warranty will become active six months from the date of original invoice to the distributor.

IN NO EVENT SHALL BROSELEY FIRES BE LIABLE FOR INCIDENTAL OR CONCEQUENTIAL DAMAGES OF ANY NATURE WHATSOEVER, INCLUDING BUT NOT LIMITED TO LOST PROFITS OR COMMERCIAL LOSS, TO THE FULL EXTENT THOSE DAMAGES CAN BE DISCLAIMED BY LAW. (if applicable)

#### NON - COVERAGE OF THE GUARANTEE

The consumable items within the product are not covered by the warranty, nor is the glass. If the end-user's claim should not be covered by this guarantee, the end-user shall be liable for costs incurred by Broseley Fires such as callout and inspection costs for examination of the product, transportation costs of the product as well as any other relevant costs. If, after having been informed about the non-coverage of the guarantee, the end-user wants to have the repairs done, the end-user shall additionally pay for any spare parts used and for the labour and transportation costs incurred. If repairs are carried out under this guarantee, the remaining guarantee period for the product shall be extended by the period of time that has elapsed since the complaint was officially logged with Broseley Fires until the repairs have been completed.

A COPY OF OUR FULL TERMS AND CONDITIONS IS AVAILABLE ON REQUEST.

\*\* End-user means the natural or legal person who owns the product and who has not acquired it with a view to reselling or installing it in the course of business