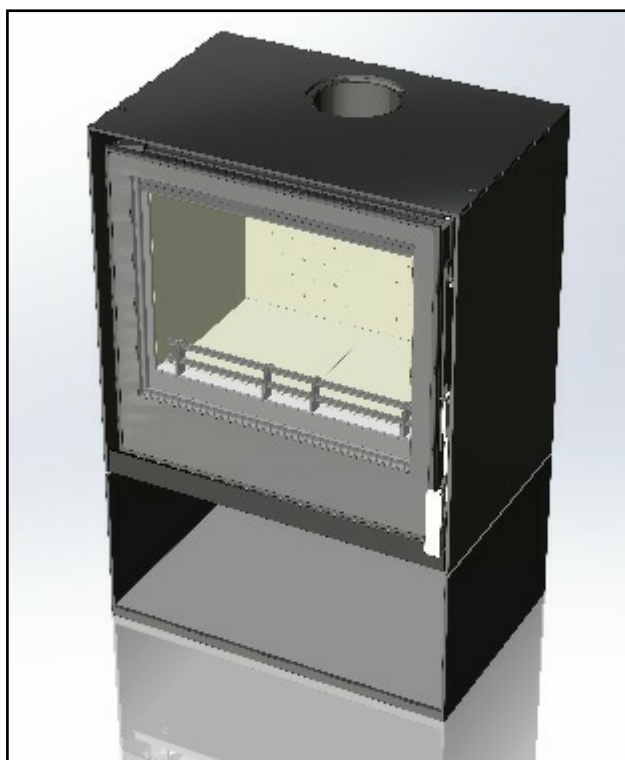


## OPERATION AND INSTALLATION MANUAL

### Woodburning SE models

### Guide d'utilisation et Mode d'Emploi



Christon 550

Christon 750

# Contents



PAGE	ITEM	
2-15	Operation and installation manual	ENG
16-25	How to? Exploded parts diagrams <i>Pièces détachées, vue éclatées, assemblage</i>	ENG/FR
26-37	Guide d'utilisation et Mode d'Emploi	FR
38-39	Certificate - EN Test	

## INSTALLATION MANUAL AND OPERATING INSTRUCTIONS

### CHRISTON 550

### CHRISTON 750

This manual refers to the stoves listed above, which are tested in accordance with EN 13240.

Thank you for purchasing your new stove from Mendip Stoves. Please read this manual carefully to ensure that you get maximum enjoyment and performance from your new stove and to prevent any potential operational problems. Please note that "all local regulations, including those referring to national and European Standards, need to be complied with when installing this appliance". For further information on installing and using fireplaces and wood burning stoves, please see the relevant building regulations that apply to the country in which your stove is installed and tested. These instructions cover the basic principals to ensure the satisfactory installation of your stove, although detail may need slight modification to suit particular local site conditions.

	HEIGHT	WIDTH	DEPTH	WEIGHT
CHRISTON 550	550 mm	550 mm	360 mm	81 kg
CHRISTON 550 INSET	550 mm	550 mm	360mm	91 kg
CHRISTON 550 LOGSTORE	800 mm	550 mm	360 mm	
CHRISTON 550 SIDE TABLE (ONLY)	300 mm	550 mm	360 mm	15 kg
CHRISTON 750	550 mm	750 mm	360 mm	110 kg
CHRISTON 750 INSET	550 mm	750 mm	360mm	120 kg
CHRISTON 750 LOGSTORE	800 mm	750 mm	360 mm	
CHRISTON 750 SIDE TABLE (ONLY)	300 mm	750 mm	360 mm	20 kg

## HEALTH AND SAFETY PRECAUTIONS

---

### INFORMATION FOR THE USER, INSTALLER AND SERVICE ENGINEER

---

Special care must be taken when installing a stove such that the requirements of the Health & Safety at Work Act are met.

#### **Handling**

Adequate facilities must be available for loading, unloading and site handling.

#### **Fire Cement**

Some types of fire cement are caustic and should not be allowed to come into contact with the skin. In case of contact wash immediately with plenty of water.

### **PREPARATORY WORK AND SAFETY CHECKS**

#### **IMPORTANT WARNING**

This stove must not be installed into a chimney that serves any other heating appliance. There must not be an extractor fan fitted in the same room as the stove because this can cause the stove to emit fumes into the room.

#### **Asbestos**

This stove contains no asbestos. If there is a possibility of disturbing any asbestos in the course of installation then please seek specialist guidance and use appropriate protective equipment.

#### **Metal Parts**

When installing or servicing this stove care should be taken to avoid the possibility of personal injury.

#### **CO Alarms:-**

Building regulations require that whenever a new or replacement fixed solid fuel or wood/biomass appliance is installed in a dwelling a carbon monoxide alarm must be fitted in the same room as the appliance. Further guidance on the installation of the carbon monoxide alarm is available in BS EN 50292:2002 and from the alarm manufacturer's instructions.

**Provision of an alarm must not be considered a substitute for either installing the appliance correctly or ensuring regular servicing and maintenance of the appliance and chimney system.**

---

#### **Stove paint Aerosols**

Paint aerosols are flammable and therefore dangerous to use around a lit stove. Be sure to allow aerosols spray paints to dry and ventilate the room well before lighting the stove. The use of any aerosol around lit stove is dangerous and care must be taken handling aerosols.

### **IMPORTANT:**

These instructions cover the basic principles to ensure the satisfactory installation of Mendip Stoves product :- Christon models, although detail may need slight modification to suit particular local site conditions.

In all cases the installation must comply with current Building Regulations, Local Authority Byelaws and other specifications or regulations as they affect the installation of the stove. It should be noted that the Building Regulations requirements may be met by adopting the relevant recommendations given in British Standards BS 8303, BS EN 15287 as an alternative means to achieve an equivalent level of performance to that obtained following the guidance given in Approved Document J.

#### **Fireguards**

The use of a fireguard to BS 8423:2002 in the presence of children, aged and/or infirm persons is essential for their safety, even when the stove is not in use. The glass on the stove is ceramic glass and able to withstand very high temperatures however it is not toughened and a hard impact could cause the glass to break.

## FLUE & CHIMNEY CONNECTION TO STOVE

The outlet from the chimney should be above the roof of the building in accordance with the provisions of Building Regulations Approved Document J. If installation is into an existing chimney then it must be sound and have no cracks or other faults which might allow fumes into the house. Older properties, especially, may have chimney faults or the cross section may be too large .

Mendip Stoves recommend the use of a solid fuel flue lining system for all installation into existing chimneys. All chimney systems must be used in accordance with Building Regulations Approved Document J.

If an existing chimney is used the chimney must be clear of obstruction and be swept clean immediately before installation of the stove. The chimney should be tested to confirm the chimney will provide the correct chimney pressure for the stove. If the stove is fitted in place of an open fire the chimney should be swept one month after installation to clear any soot falls which may have occurred due to the difference in combustion between the stove and the open fire. If there is no existing chimney then either a prefabricated block chimney in accordance with Building Regulations Approved Document J or a twin walled insulated stainless steel flue to BS 1856-1 . These chimneys must be fitted in accordance with the manufacturer's instructions and Building Regulations. A single wall metal flue pipe is suitable for connecting the stove to the chimney but is not suitable for using for the complete chimney. The chimney and connecting flue pipe must have a minimum diameter of 125 mm and its dimension should be not less than the size of the outlet socket of the stove. Registered smoke exempt models burning wood only can be installed on flue of 125mm throughout.. Any bend in the chimney or connecting flue pipe should not exceed 45°. 90° bends should not be used other than within 150 mm of stove rear flue outlet.

### Chimney Connection

In order for the stove to perform satisfactorily the chimney height must be sufficient to ensure an adequate draught to clear the products of combustion and prevent smoke problems into the room.

Tested Gas flow rates flue gas temperatures	Flue gas flow rate Wood	Test flue gas temperature wood	@ pascals of pressure
Christon 550	5.7 g/s	220 °C	12 pa.
Christon 750	7.6 g/s	274 °C	12 pa.

A chimney height of not less than 4.5 metres measured vertically from the outlet of the stove to the top of the chimney should be satisfactory. Alternatively the calculation procedure given in BS5854:1980 may be used as the basis for deciding whether a particular chimney design will provide sufficient draught.

If it is found that there is excessive draught in the chimney then either an adjustable flue damper or alternately a draught stabiliser should be fitted. The adjustable flue damper should not close off the flue entirely but should in its closed position leave a minimum continuous opening free area of at least 20 % of the total cross sectional area of the flue or flue pipe. Adequate provision e.g. easily accessible soot door or doors must be provided for sweeping the chimney and connecting flue pipe.

Your appliance needs to be maintained routinely, the throat plate/baffle should be cleaned regularly (monthly) . The flue pipe can be cleaned using a flexible brush. Only Use a dry cloth on external surfaces. Over time the glass may become dirty, clean with a damp cloth and polish off with damp cloth. If the stove has not been used for some time the flue should be checked for blockages before use. Do not modify the appliance; only use spares authorised by the manufacturer.

## DISTANCE TO COMBUSTIBLE MATERIALS

Combustible materials should not be located where the heat dissipating through the walls of fireplaces or flues could ignite it. Therefore when installing the stove in the presence of combustible materials due account must be taken of the guidance on the separation of combustible material given in Building Regulations Approved Document J and also in these stove instructions. The minimum distances to flammable materials are specified on the EN 13240 plate on the back of the stove.

	Distance to combustibles rear	Distance to combustibles sides	Distance to combustibles sides Convection models	Suitable for 12mm non-combustible floor plate
Christon 550	200 mm	200 mm	N/A	YES
Christon 750	100 mm	100 mm	N/A	YES

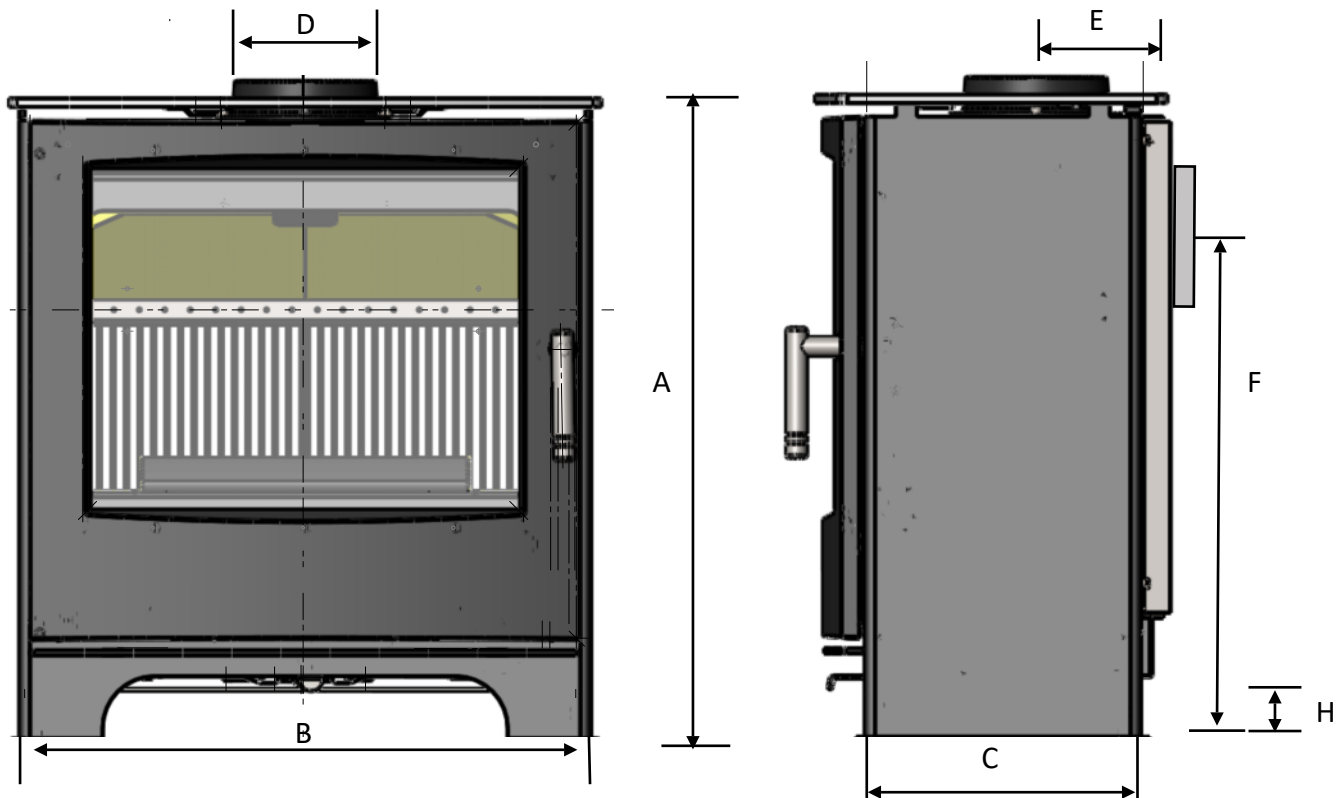
## STOVE PERFORMANCE & TESTING

Christon 550 and 750 models are tested in accordance with EN 13240/13229. The Christon 550 & 750 have been recommended as suitable for use in smoke control areas when burning wood logs and when fitted with a mechanical stop to prevent closure of the secondary/tertiary air control. Christon 550 0 cm / 0% and Christon 750 2.5 cm or 50% open

	Nominal Heat Output	Efficiency	CO @ 13% O <sub>2</sub>	Dust mg/m <sub>o</sub> <sup>3</sup>	DEFRA Smoke Exempt	Mechanical SE Air Stop	Secondary Air SE Requirements
<b>CHRISTON 550</b>	4.8 kW	77.8 %	0.09	30	Yes / SE model	NO	N/A
<b>CHRISTON 750</b>	8.7 kW	78.4 %	0.09	32	Yes / SE model	YES	50 % / 2.5 cm

	Log Length			Wood Reload Interval	Wood Reload Weight
	Max Length	SE Dimensions L x W x D	Number of Logs		
<b>CHRISTON 550</b>	40 cm	25 x 11 x 11 cm	1	45 min	1.0 kg
<b>CHRISTON 750</b>	60 cm	25 x 14 x 11 cm	2	50 min	1.6 kg

## STOVE DIMENSIONS AND CONNECTION MEASUREMENTS

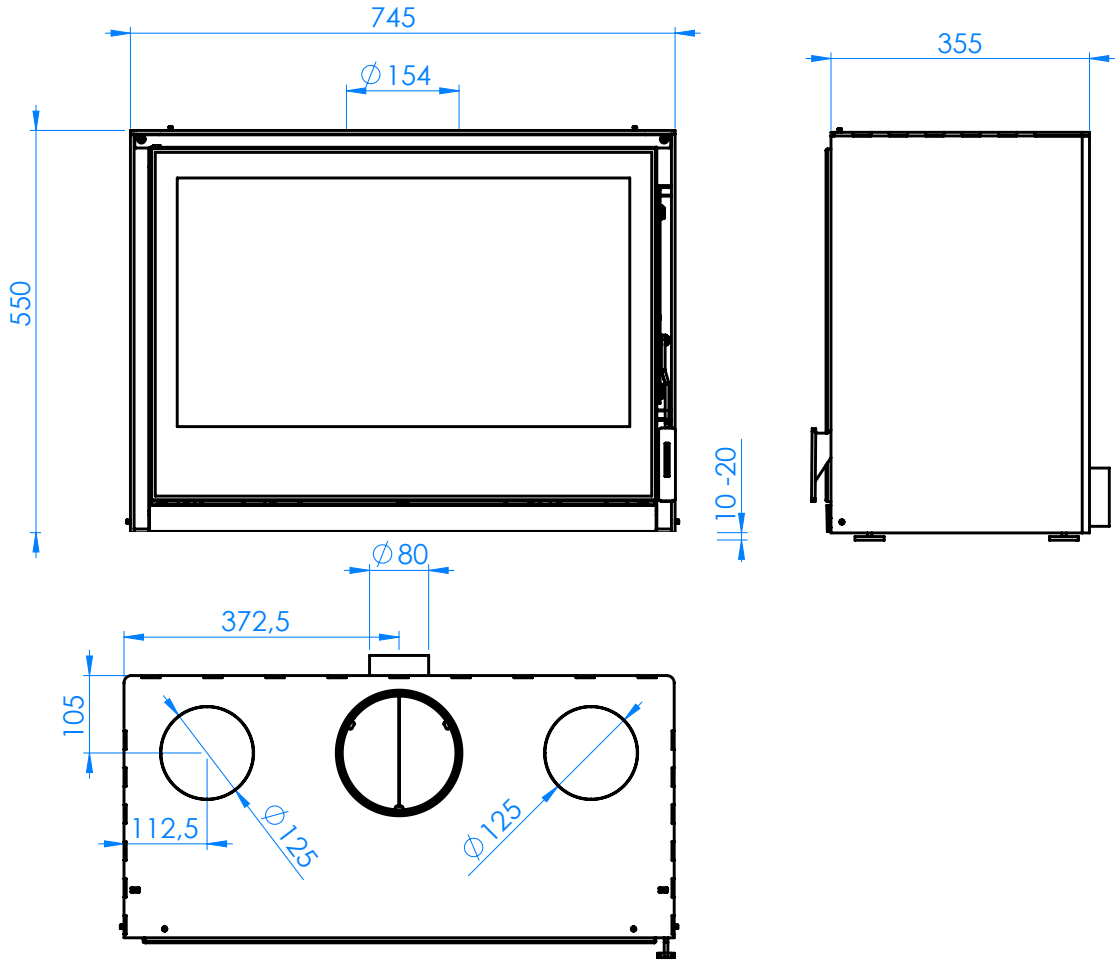


	HEIGHT	WIDTH	DEPTH	Collar Size	DISTANCE FROM			Air Intake Diameter
					Stove Rear to Centre Flue Collar	Floor to Rear Flue Stove	Floor to Centre Air Intake	
					A	B	C	
<b>CHRISTON 550</b>	550mm	550mm	360mm	125mm	105mm	N/A	50mm	80mm
<b>CHRISTON 550 LOGSTORE</b>	800mm	550mm	360mm	125mm	105mm	N/A	300mm	80mm
<b>CHRISTON 750</b>	550mm	750mm	360mm	150mm	105mm	N/A	50mm	80mm
<b>CHRISTON 750 LOGSTORE</b>	800mm	750mm	360mm	150mm	105mm	N/A	300mm	80mm

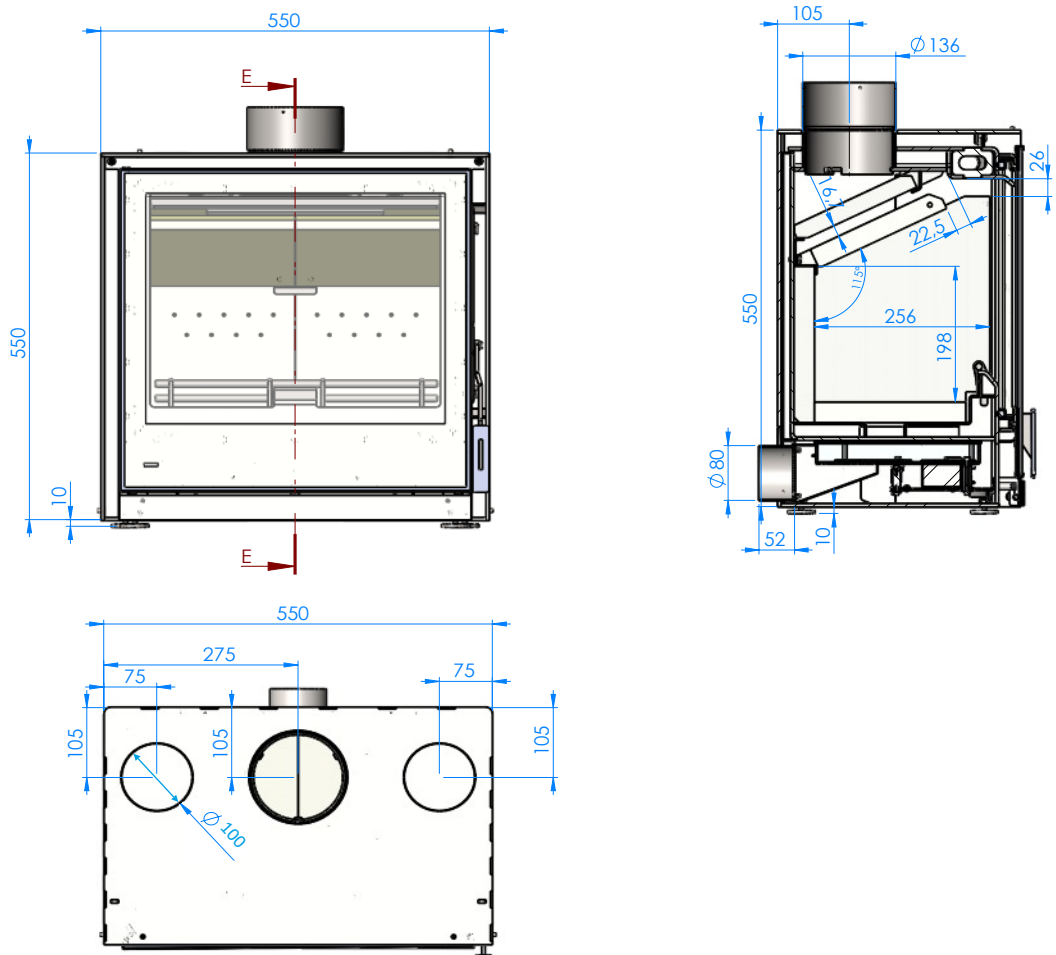
\* When the adjustable legs are fully extended, the centre of the air intake (H) is 60mm away from the floor.

# STOVE DIMENSIONS AND CONNECTION MEASUREMENTS

**Christon 750**



**Christon 550**



## DISTANCE TO NON COMBUSTIBLE MATERIALS

The stove can be recessed in a suitable sized non - combustible fireplace but a permanent free air gap of at least 50mm must be left around the sides and top and at least 50mm at the back of the stove to obtain reasonable heat output and for access to the stove for removal and maintenance. A clearance of 100mm will give a better heat output.

All non - combustible walls closer than 100mm to the stove should be at least 75mm thick. For practical reasons the back wall of the fireplace recess and the hearth should ideally be made of non -combustible material. When installing a your stove in a non combustible chamber combustible materials should not be located where the heat dissipating through the walls of fireplaces or flues could ignite it. Therefore when installing the stove in the presence of combustible materials due account must be taken of the guidance on the separation of combustible material given in Building Regulations Approved Document J and also in these stove instructions. The minimum distances to flammable materials are specified on the EN 13240 plate on the back of the stove

## HEARTH

The hearth should be able to accommodate the weight of the stove and its chimney if the chimney is not independently supported. Christon 550 & 750 stoves have been tested and are suitable to be installed on a 12 mm non combustible plate such as 12 mm glass plates . Installation of all hearths should comply in size and construction so that it is in accordance with the provisions of the current Building Regulations Approved Document J.

The clearance distances to combustible material beneath, surrounding or on the hearth and walls adjacent to the hearth should comply with the guidance on the separation of combustible material given in Building Regulations Approved Document J and also in these stove instructions.

If the stove is to be installed on a wooden floor, it must be covered with a non-combustible material at least 12 mm thick, in accordance with Building Regulations Approved Document J, to a distance of 30 cm in front of the stove and 15 cm to each side measuring from the door of the combustion chamber.

## COMBUSTION AIR

In order for the stove to perform efficiently and safely there should be an adequate air supply into the room in which the stove is installed to provide combustion air. This is particularly necessary if the room is double-glazed or a flue draught stabiliser is operating in the same room as the appliance. The provision of air supply to the stove must be in accordance with current Building Regulations Approved Document J. An opening window is not appropriate for this purpose. Air inlets must be positioned in such a way that they cannot be blocked. An air inlet may be a vent (the vent must be open and the capacity for the vent sufficient when the stove is lit) .

There are no European rules regarding the minimum distance to non-flammable walls, Mendip Stoves recommend leaving a gap of at least 50mm behind and to sides of stove.

Christon 550 & 750 models take all combustion from a single 80mm port under the stove, with the door closed the air port supplies all combustion air for the appliance. This can be connected to the outside via a 80mm pipe so the appliance does not draw air from the room. However Mendip stoves still recommends the use of an air brick as laid out in document j for when the stove is being reloaded.

## COMMISSIONING AND HANDOVER

Ensure loose parts ( brick and grates) are fitted in accordance with the instructions given in the instruction booklet. On completion of the installation allow a suitable period of time for any fire cement and mortar to dry out, a small fire may be lit to check that smoke and fumes are taken from the stove up the chimney and emitted safely into the atmosphere. Do not run at full output for at least 24 hours.

On completion of the installation and commissioning ensure that the operating instructions for the stove are left with the customer. Ensure to advise the customer on the correct use of the appliance with the fuels likely to be used in the stove and notify them to use only the recommended fuels for the stove. Advise the user what to do should smoke or fumes be emitted from the stove.

The customer should be warned to use a fireguard to BS 8423:2002 in the presence of children, aged and/or infirm persons.

## COMBUSTION CHAMBERS

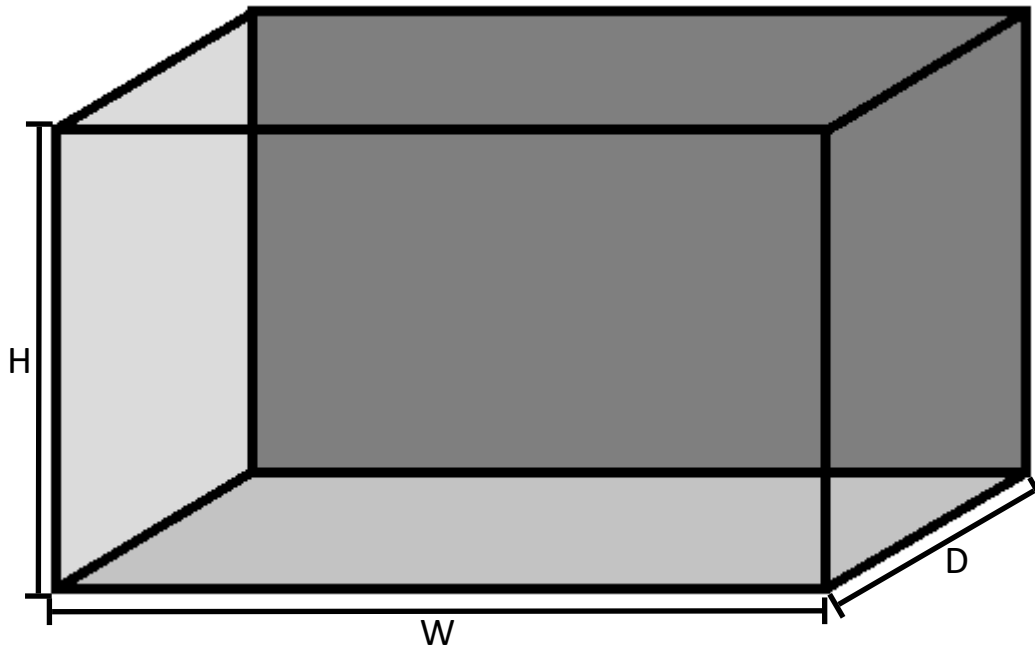
Mendip Stoves are fitted internally with vermiculite heat deflection panels and baffles, these panels are designed to ensure the maximum efficiency and are an integral part of the clean burn process of the stove. These baffles should not be removed other than for cleaning the stove. Any defective panels should be replaced, small hairline cracks do not need immediate replacement, however hairline cracks will develop during long term use and should be monitored regularly. When refuelling your stove place wood fuel into the chamber, impact from logs can cause the heat deflection panel to crack.

### Connection to chimney

Christon models are built with a top flue outlet as standard. Care should be taken to ensure an airtight fit if or when refitting a collar. This collar allows connection to either a masonry chimney or a prefabricated factory made insulated metal chimney.

## INSTALLING A CHRISTON INSET

Building in Dimensions	Height	Width	Depth
CHRISTON 550	570 mm	570 mm	380 mm
CHRISTON 750	570 mm	770 mm	380 mm



### **DO NOT OBSTRUCT THE AIR INTAKE**

**At least 20mm clearance should be left between the outer casing of the rear of the stove and the wall**

If you are installing an inset stove without utilising the closed combustion capabilities of the Christon wood burners, you will need to remove the Direct Air Inlet at the rear of the stove to ensure that there is sufficient air flow to accommodate the requirements of the appliance.

### **DO NOT BACKFILL AROUND THIS STOVE**

**It could block the air intake of your appliance, preventing it from operating as it should.**

N.B. Inset models are supplied with a stainless steel adapter which allows direct connection to a stainless steel chimney liner. ( See adapter shown on Christon 550 drawing)



## HOW TO OPERATE YOUR STOVE

### Suitable fuels

Your stove is tested to burn wood. Wood briquettes can also be burnt but special account should be taken of fuel weight. For a full list of suitable fuels, check with the official solid fuels approvals body, HETAS or Solid Fuel Association. Do not overload stove as this can cause excessive heat and damage the stove (see table on page 5).

**ALWAYS KEEP FUEL LOAD BELOW TERTIARY PORTS AT REAR OF STOVE. Only use fuels approved for use on heating stoves. Do not burn liquid fuels, drift wood, finished wood, sawn wood, pallet wood, chipboard/plywood, varnished wood or plastic coated wood, wood treated with preservatives, or any house hold waste.**

**DO NOT EXCEED SPECIFIED FUEL WEIGHTS.  
DO NOT BURN HOUSE COAL. DO NOT BURN HOUSEHOLD WASTE.  
THIS APPLIANCE IS NOT AN INCINERATOR.**

**MENDIP STOVES RECOMMEND THE USE OF A FLUE THERMOSTAT TO CHECK YOUR STOVE IS NOT OVERHEATING. PLACE FLUE THERMOSTAT DIRECTLY ABOVE COLLAR OF STOVE AND REFER TO TEMPERATURE GAUGE ON PAGE 4.**

## LIGHTING YOUR STOVE FOR THE FIRST TIME

**Before lighting your stove for first time make sure you have read this manual fully and acquainted yourself with the controls of this appliance. (see page 9)**

The heat-resistant paint on your stove will cure and harden the first time you light your appliance.

The curing process produces a good deal of smoke and odour, it is therefore important that the first time you light your stove the room should be well ventilated.

During the process it is important to open and close the stove door periodically (every 30mins) during the first couple of firings therefore preventing the door seal cord around the door from sticking and coming away from the door. Once the heat-resistant paint has hardened the smell will disappear.

Your stove is NOT designed to be used with the door open, the stove door must be kept closed except when lighting the stove, adding firewood or removing ash in order to prevent flue gases from escaping.

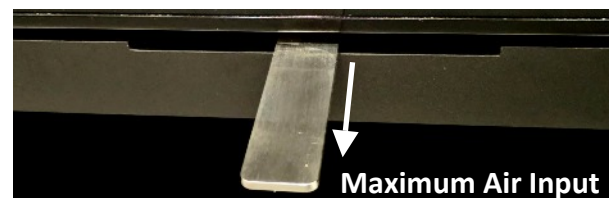
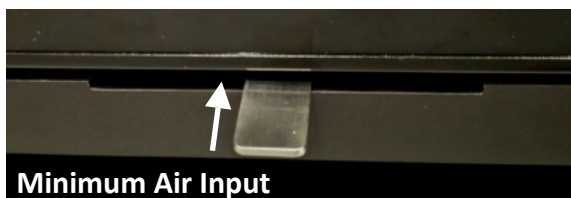
### **Use of Fire lighters**

Quality Firelighters should be used when lighting your stove. (Never use mentholated spirit, petrol or other flammable liquids). Lighting your stove with firelighters will be more reliable and easier than using paper. Lighting your fire with paper results in excess smoke, more ash and possible blackening of glass.

## OPERATING THE AIR CONTROL LEVER

The Universal Air Control Lever (UAC) determines how much air is admitted into your stove, as well as where it is directed into the combustion chamber:

**Sliding the control lever in and out** respectively reduces and increases the total amount of air available to the stove.



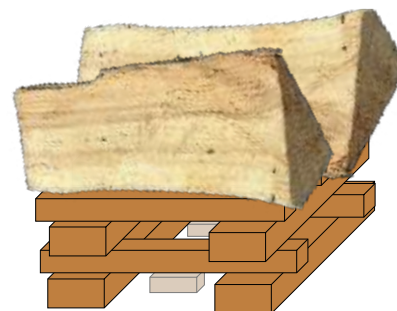
**Moving the control lever from left to right** determines where the external air is directed into the combustion chamber: By moving the control lever to the left increases the primary air mix, moving the UAC to the right increases the secondary air.



Whatever position the control is set at, the lever can have either minimum combustion air or maximum combustion air.

## HOW TO LIGHT YOUR WOOD BURNING STOVE

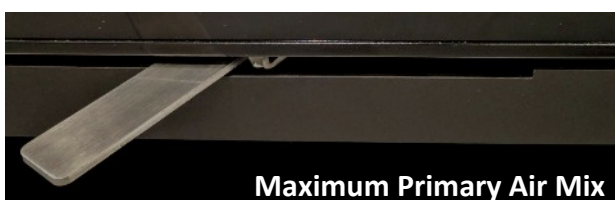
**Note:** If the chimney is externally fitted or the stove has been installed on a larger diameter clay chimney liner then on cold days it maybe necessary to warm the flue using firelighters prior to lighting with wood.



1. Place a few smaller pieces of dry wood (kindling) in the stove on top of the non toxic firelighters, place one or two small dry split logs (¼ split) on top. Kindling stacked as in diagram allows combustion air flow freely and will aid ignition.

2. Fully slide open (pull out ) the Universal air control (UAC) air slider below the stove door. Slide out fully to the left position. The stove now has a mix of primary air secondary air for start up.

3. Light the firelighters and push door to closed position, latch in 1st position so the door is open 2 mm. (see picture) This provides additional combustion air for start up and reduces condensation on the door glass.



4. Once the flames from the logs are fully established , this can take up to 10 min's . The door can now be closed. Leave the UAC control in the left position (if the slider is in the left position the air controller is providing a mix of primary and secondary air).If the stove flames begin to falter and generate smoke in chamber unlatch the door again until the fire is established.

5. Once the fire bed is established slide UAC control to the secondary position (right side) and push in slider as desired, for the stove to burn cleanly plenty of secondary air is needed, do not be tempted to shut the fire down too early as this may cause smoke. At nominal heat output, expect to refuel your stove approximately once an hour. Check load weights for your model on the table on page 5. And use the glove when reloading, as well as when operating air controls and door.



**The stove will get very hot during use and due care must therefore be exercised. Please use the glove when operating air controls , door and ashpan.**

### WOOD FUEL

Good quality wood is the most important factor in your stove working efficiently and cleanly. Always use dry split hardwood firewood (moisture content of 20% or less). The dryness of the firewood plays an important role since the use of wet wood results in poor fuel economy and may cause a tarry sooty film on the internals of the stove.

Newly cut wood contains 60–70% water, making it totally unsuitable for use as firewood.

Newly cut wood should be stacked and air dried under cover for two years before being used as firewood.

**Do not burn liquid fuels, drift wood, finished, sawn wood, pallet wood, chipboard/plywood, varnished wood or plastic coated wood, wood treated with preservatives, or house hold waste.**

## RE-FUELLING WHEN BURNING WOOD

To re-fuel your stove in the cleanest way only refuel your stove when flames have died down and you have glowing embers. Before refuelling, open UAC fully and slide to the left position. Unlatch door to equalise pressure with the room. Open door gently, add one piece of wood (4.8kW model) add two pieces of wood (8.7kW models) (please check weight table page 5) and close the door. Once the flames from the logs are fully established slide UAC control to right position and push air control as desired. The stove is only suitable for intermittent use only: do not run overnight or for long periods unattended.

Experience will determine the settings that produce best results. Use a flue thermostat to check the stove is not overheating. Flue thermostats should be placed directly above collar of the stove on a non insulated section of pipe. (efficient operating temperature range is between 200c and 400c)

	Log Length			Time Intervals Between Reloading	Wood Reload Weight
	Maximum Length	SE Dimensions L x W x D cm	Number of Logs		
<b>CHRISTON 550</b>	40cm	25 x 14 x 11	1	~45min (0.72hr)	1.4kg
<b>CHRISTON 750</b>	60cm	25 x 14 x 14	2	~50min (0.81hr)	1.84 kg

## BURNING WOOD IN A SMOKE CONTROL AREA

You must purchase a smoke control version of the Mendip stove which is modified slightly to comply with regulations. Any change to this modification will invalidate the stoves compliance for smoke control areas.

### The Clean Air Act 1993 and Smoke Control Areas

Under the Clean Air Act local authorities may declare the whole or part of the district of the authority to be a smoke control area. It is an offence to emit smoke from a chimney of a building, from a furnace or from any fixed boiler if located in a designated smoke control area. It is also an offence to acquire an "unauthorised fuel" for use within a smoke control area unless it is used in an "exempt" appliance ("exempted" from the controls which generally apply in the smoke control area).

In England appliances are exempted by publication on a list by the Secretary of State in accordance with changes made to sections 20 and 21 of the Clean Air Act 1993 by section 15 of the Deregulation Act 2015. In Scotland appliances are exempted by publication on a list by Scottish Ministers under section 50 of the Regulatory Reform (Scotland) Act 2014. Similarly, In Northern Ireland appliances are exempted by publication on a list by the Department of Agriculture, Environment and Rural Affairs under Section 16 of the Environmental Better regulation Act (Northern Ireland) 2016. In Wales appliances are exempted by regulations made by Welsh Ministers.

Further information on the requirements of the Clean Air Act can be found here: <https://www.gov.uk/smoke-control-area-rules>  
Your local authority is responsible for implementing the Clean Air Act 1993 including designation and supervision of smoke control areas and you can contact them for details of Clean Air Act requirements.

The Christon 550 & 750 SE stoves have been recommended as suitable for use in smoke control areas when burning wood logs. The appliances have been fitted with a modification to fix the air controls at 0% open for 550 & 50% open for the 750 model in its minimum position.

**Only specific SE cleanheat models are suitable for smoke control areas (page 5), alterations should not be attempted.**

Mendip smoke control stoves should not be burnt with the door left open.

The refuelling procedure : - allow the newly charged fuel to burn with the secondary air control set at maximum for up to 3 to 4 minutes. After this period, with flames from the logs fully established, close the secondary air supply to the low output setting. When operating at high output (secondary air set fully open) the new refuel charge does not require any boost air to establish combustion.

## BURNING WOOD IN A SMOKE CONTROL AREA - continued

### Refuelling on to a low fire bed

If there is insufficient burning material in the firebed to light a new fuel charge, excessive smoke emission can occur. Refuelling must be carried out onto a sufficient quantity of glowing embers and ash that the new fuel charge will ignite in a reasonable period. If there are too few embers in the fire bed, add suitable kindling to prevent excessive smoke

### Operation with door left open

Operation with the door open can cause excess smoke. The appliance must not be operated with the appliance door left open except as directed in the instructions.

### Dampers left open

Operation with the air controls or appliance dampers open can cause excess smoke. The appliance must not be operated with air controls, appliance dampers or door left open except as directed in the instructions.

### Fuel Overloading

The maximum amount of fuel specified in this manual should not be exceeded, overloading can cause excess smoke

## SE Cleanheat - SMOKE EXEMPTION MODIFICATION

Smoke exempt models are factory fitted with a air stop on the air control slider: The adjust control to smoke control settings place Allen key on bolt in the air intake ( at the rear of the stove ensuring that the air control is limited to

- No limit is needed for Christon 550
- Reduce travel to 2.5 cm/50% for Christon 750



## SOLID FUEL - COAL - SMOKELESS COAL

**SMOKELESS COAL, HOUSE COAL AND PETROLEUM COKE ARE NOT SUITABLE FOR USE ON THIS STOVE; ITS USE WILL INVALIDATE THE GUARANTEE.**

**SOLID SMOKELESS FUELS - Christon 550/750 models are NOT suitable for use with smokeless fuels and have not been tested to the relevant European standard. Only use wood for these stoves.**

## **INCOMPLETE COMBUSTION**

If the air controls on your stove are closed too much incomplete combustion may lead to a build-up of hard, shiny soot on the inside of your stove and glass. To prevent sooting of the chamber and glass introduce:-

- 1) more secondary air,
- 2) check that your fuel is suitable and dry.
- 3) that you have sufficient draw in your chimney.

It is important to check the draft conditions before lighting your stove. This may be done, for instance, by crumpling a piece of newspaper, placing it in the combustion chamber and lighting it. The draft conditions are good if the smoke is drawn away through the chimney.

## **OVERNIGHT BURNING**

Mendip Christon stoves are designed to burn wood . Wood burns more efficiently and cleanly if it is burnt hotter. Mendip stoves do not recommend that their stoves are burnt overnight for this reason. As a night time regime we recommend that the fire is loaded when hot and burnt for five minutes with the secondary air control fully open until the new wood has taken and is burning, then close the secondary air valve to its operational position. On returning to the stove in the morning the fire will have burn out, reload with some paper or firelighter and some kindling and open both air sliders fully to relight quickly. Beware as the ash bed will have hot embers.

## **PERMANENT AIR VENT**

The stove requires a permanent air vent to the room . This is to provide adequate air supply in order for the stove to operate safely and efficiently. In accordance with current Building Regulations the installer may have fitted a permanent air supply vent into the room in which the stove is installed to provide combustion air. This air vent should not under any circumstances be shut off or sealed.

## WARNING NOTE

Properly installed, operated and maintained this stove will not emit fumes into the dwelling. Occasional fumes from de-ashing and re-fuelling may occur. However, persistent fume emission is potentially dangerous and must not be tolerated. If fume emission does persist, then the following immediate action should be taken:-

- (a) Open doors and windows to ventilate the room and then leave the premises.
- (b) Let the fire go out.
- (c) Check for flue or chimney blockage and clean if required
- (d) Do not attempt to relight the fire until the cause of the fume emission has been identified and corrected. If necessary seek expert advice.

The most common cause of fume emission is flue way or chimney blockage. For your own safety these must be kept clean at all times.

### CO Alarm

Your installer should have fitted a CO alarm in the same room as the appliance. If the alarm sounds unexpectedly, follow the instructions given under "Warning Note" above.

### Aerosols

**Aerosols are flammable and therefore dangerous to use around a lit stove. Do not use aerosols sprays near your lit stove. The use of any aerosol is dangerous and care must be taken handling aerosols.**

## TROUBLE SHOOTING

### 1. Fire Will Not Burn - check

- a) the air inlet is not obstructed in any way,
- b) that chimney and flue ways are clear,
- c) that a suitable fuel is being used,
- d) that there is an adequate air supply into the room,
- e) that an extractor fan is not fitted in the same room as the fire.

### 2. Fire Blazing Out Of Control - check

- a) the doors are tightly closed,
- b) the air controls are turned down to the minimum setting,
- c) the flue damper is closed ( if fitted),
- d) a suitable fuel is being used,
- e) the door seals are in good condition.
- F) the chimney draft may be too strong
- G) check ash pan seal and
- H) check for ash below ash pan causing pan to seat incorrectly and clean out.

### 3) Soot forms on the window

- a) The firewood may be too wet
- b) the intake of secondary air may be insufficient
- c) fire not hot enough

### 4) The stove fails to heat fully

- a) The firewood may be too wet
- b) the intake of secondary air may be insufficient

### 5) Smoke or odour

- a) weak chimney draft
- b) check for blockages in the flue pipe/chimney
- c) check the height of the chimney relative to the surroundings

### 6) Soot in the chimney

- a) The firewood may be too wet
- b) intake of secondary air may be insufficient

## MAINTENANCE

Mendip stoves recommends that your model needs to have the ash removed from the Christon stove at regular intervals (every 2-3 days if used daily). Overflowing ash will impede the function of the stove and can cause possible damage to the stove linings. To remove ash pan use a ash shovel, always wear a heat resistant glove. Make sure the stove is completely cold before cleaning out ash (embers can remain hot for over 24 hours).

Ash must be stored in a non-combustible container and must not be mixed with other combustible waste.

### Annual service

The inside of the stove should be serviced /cleaned once a year. To clean the inside, remove all ash, soot and tar residue from the combustion chamber. Remove insulated chamber panels and baffle, dirt and soot will collect behind it and this must be cleaned out. Check the quality of all insulated panels and replace any which are damaged or cracked, replace stove door rope cord in the door. Check glass is correctly positioned. The stove, the flue pipe connection and the chimney should be checked regularly by a qualified engineer. The chimney should also be checked for blockages before relighting the stove if it has not been used for an extended period of time. The paint/ lacquer can wear thin in exposed places due to overheating. This, and other lacquer damage, may be repaired using Senotherm paint/lacquer spray available from your Mendip dealer. To clean the outside of the stove use a dry cloth.

### Prolonged non use (summer)

If the stove is to be left unused for a prolonged period of time (e.g. over the summer) then it should be given a thorough clean to remove ash and unburned fuel residues. To enable a good flow of air through the appliance to reduce condensation and subsequent damage, leave the air controls fully open.

It is important that the flue connection, any appliance baffles or throat plates and the chimney are swept prior to lighting up after a prolonged shutdown period.

### Spare parts & unauthorised alterations

Only the manufacturer's own components, or replacement parts recommended and approved by Mendip stoves, shall be used for appliance servicing and repair. Any unauthorised alterations will invalidate the stove warranty and compliance with EN13240.

## SWEEPING YOUR CHIMNEY & CHIMNEY FIRES

Ensure that your appliance, flue ways and chimney are swept regularly. This can be incorporated in the service regime of your appliance. Regular sweeping is essential and means at least once a year for smokeless fuels and a minimum of twice a year for wood. If a throat/baffle plate is incorporated, it is essential that the throat/ baffle plate is removed and cleaned above, all ash and debris should be removed. Ensure adequate access to cleaning doors where it is not possible to sweep the chimney through the appliance.

Where a chimney has served an open fire installation previously it is possible that the higher flue gas temperature from a closed appliance may loosen deposits that were previously firmly adhered, with the consequent risk of flue blockage. It is therefore recommended that the chimney be swept a second time within a month of regular use after installation of the stove.

### Chimney Fires

If the chimney is thoroughly and regularly swept, chimney fires should not occur. However, if a chimney fire does occur turn the air control setting to the minimum, and tightly close the doors of the stove. This should cause the chimney fire to go out in which case the control should be kept at the minimum setting until the fire in the stove has gone out. The chimney and flue ways should then be cleaned. If the chimney fire does not go out when the above action is taken then the fire brigade should be called immediately.

After a chimney fire the chimney should be carefully examined for any damage. Expert advice should be sought if necessary

## STOVE PARTS, COMBUSTION CHAMBER, ASSEMBLY PIÈCES DÉTACHÉES, VUE ÉCLATÉES

This section shows the parts contained in your stove, each stove has over 80 spare-parts and, each part is detailed. When new parts are required the section will allow spares to be recognised and ordered. As a further source of reference please visit [www.eurostove.co.uk](http://www.eurostove.co.uk) for latest spare-part information.

*Cette section montre les pièces contenues dans votre poêle, chaque poêle a plus de 80 pièces de rechange et, chaque élément est détaillé. Lorsque de nouvelles pièces doivent la section permettra aux pièces de rechange d'être reconnus et commandé. Comme autre source de refernece nous avons aussi un liste de prix avec vues eclates avex les information sur pièces de rechange.*

## LOOSE PARTS / PIÈCES DÉTACHÉES

Always use the operating tools provided when handling parts likely to be hot when the stove is in use. Your stove has the following parts in the stove.

1. Foot Adjustment Tool
2. Stove Glove
3. Instruction Manual & Warranty Card
4. Vermiculite Fire Bricks ( these are integral to the stoves performance - Do NOT throw away)
5. Moisture absorbency bag

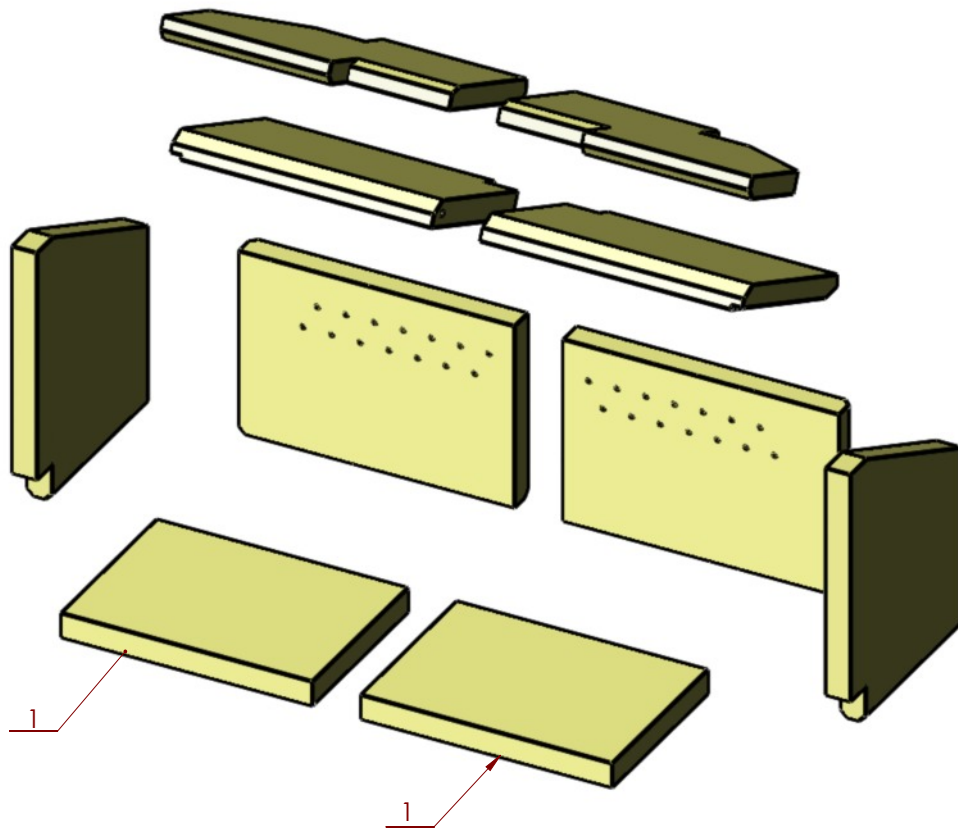
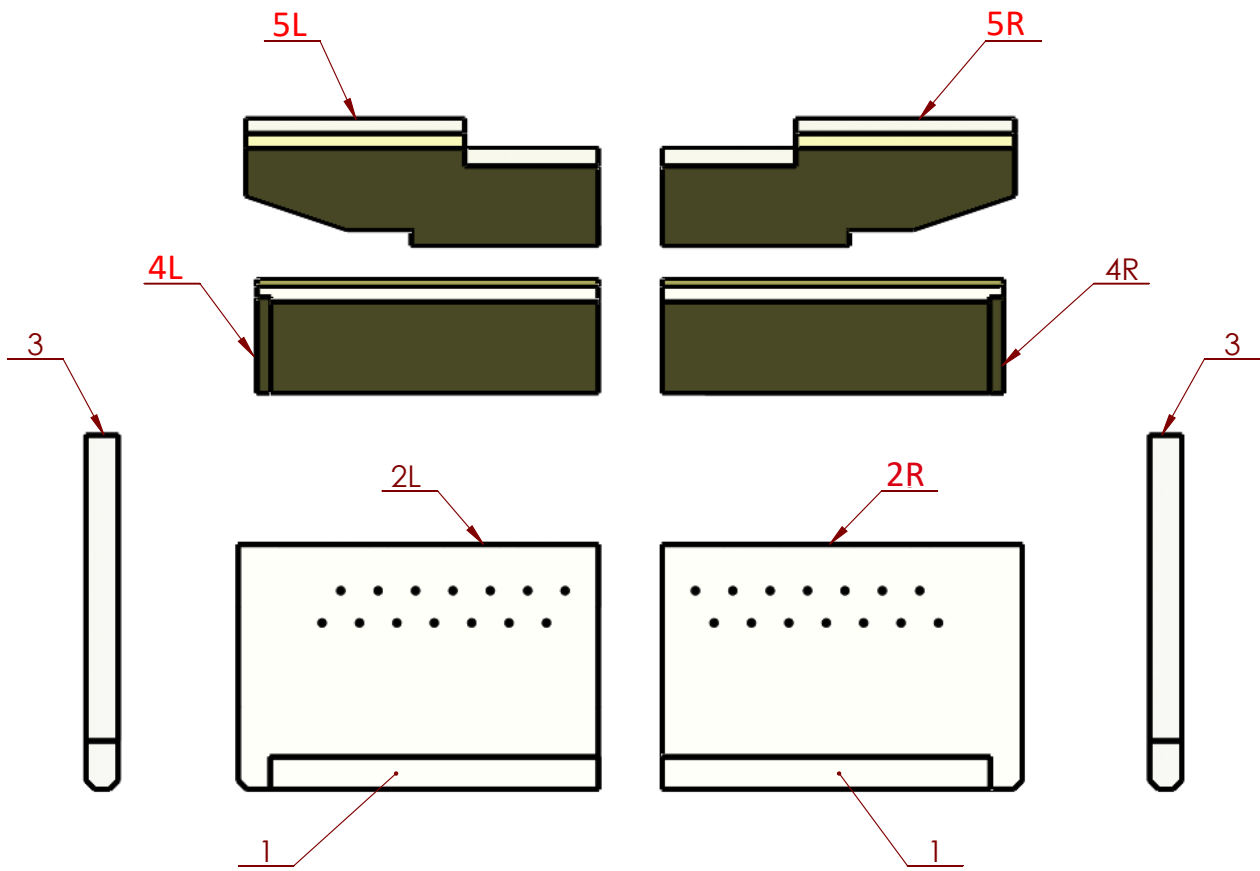
*Toujours utiliser les outils prévus pour manipuler les pièces susceptibles d'être chaudes lorsque le poêle est en cours d'utilisation. Votre poêle comprend les éléments suivants dans le poêle.*

1. Outil de réglage du pied
2. Gant
3. Guide d'utilisation et bon de garantie
4. Briques réfractaires, elles font partie intégrante du poêle, ne pas jeter.
5. Sac absorbant d'humidité





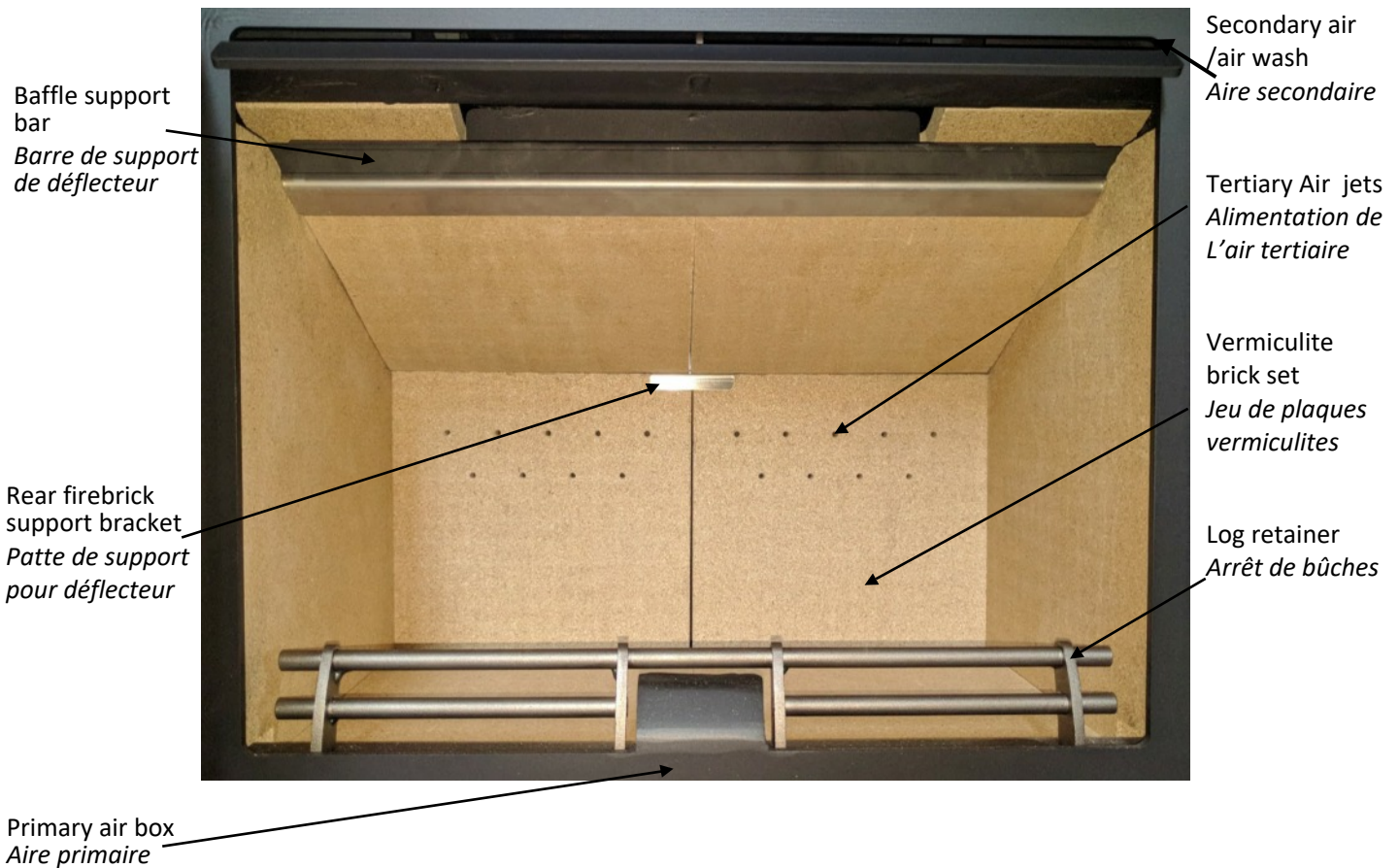
**CHRISTON 550 / 750 COMBUSTION CHAMBER SPARE PART CODES**  
**CHAMBRE DE COMBUSTION INTÉRIEUR DU CHRISTON 550 / 750**



**CHRISTON 550 / 750 BRICK SET REFERENCE KEY AND PRODUCT CODES**  
**RÉFÉRENCES POUR LA BRIQUES ET CODES DE PRODUITS DU CHRISTON 550 / 750**

Figure #	Part Description	Christon 550 - Part Code	Christon 750 - Part Code
1	Base Brick Pair	<b>M10550-02-22-99-00</b>	<b>M10750-02-22-99-00</b>
2	Rear Brick Pair	<b>M10550-02-23-99-00</b>	<b>M10750-02-23-99-00</b>
3	Side Brick Pair	<b>M10550-02-24-99-00</b>	<b>M10750-02-24-99-00</b>
4	Baffle Brick Pair	<b>M10550-02-26-99-00</b>	<b>M10750-02-26-99-00</b>
5	Upper Baffle Brick Pair	<b>M10550-02-58-99-00</b>	<b>M10750-02-58-99-00</b>

**CHRISTON 550 / 750 COMBUSTION CHAMBER**  
**CHAMBRE DE COMBUSTION INTÉRIEUR DU CHRISTON 550 / 750**



## HOW TO REMOVE A VERMICULITE BRICK SET MONTAGE ET DÉMONTAGE DE L'INTÉRIEUR



1

Remove log retainer by lifting out.  
*Enlever l'arrêt de bûches.*

Remove the baffle support bar.  
*Retirez la barre de support du déflecteur.*

Lift the right hand baffle brick and position it to the right allowing more room to remove the left hand baffle.

*Soulevez la brique de déflecteur droite et placez-la vers la droite, ce qui laisse plus d'espace pour retirer le déflecteur gauche*



2



3

Tilt the left hand baffle brick forwards and towards the centre to remove. Repeat this for the right hand baffle.

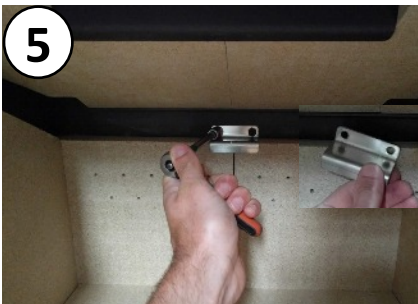
*Inclinez la brique de déflecteur gauche vers l'avant et vers le centre pour la retirer. Répétez cette opération pour le déflecteur de droite.*

Unscrew and remove the rear brick support bracket.

*Dévisser et retirer le support de brique arrière.*



4



5

Remove the upper baffle support bracket.  
*Retirez le support du déflecteur supérieur.*

Tilt an upper baffle brick forward and to the centre in order to remove.

*Inclinez une brique de déflecteur supérieure vers l'avant et vers le centre pour la retirer.*

Your flue system can now be accessed through the stove, but for added protection when sweeping, it is advised that all the bricks be removed.

*Vous pouvez maintenant accéder à votre système d'évacuation par le poêle, mais pour plus de protection lors du balayage, il est conseillé de retirer toutes les briques.*



6



7

As the baffle bricks are no longer present, the side bricks can be removed from the combustion chamber.

*Les briques de déflecteur n'étant plus présentes, les briques latérales peuvent être retirées de la chambre de combustion.*



8



9

The absence of the side bricks means that the base bricks can be lifted out.

*Sans les briques latérales, il est possible de soulever les briques de base.*

The rear bricks are now unsupported and can be freely removed.

*Les briques arrière ne sont plus supportées et peuvent être enlevées librement.*

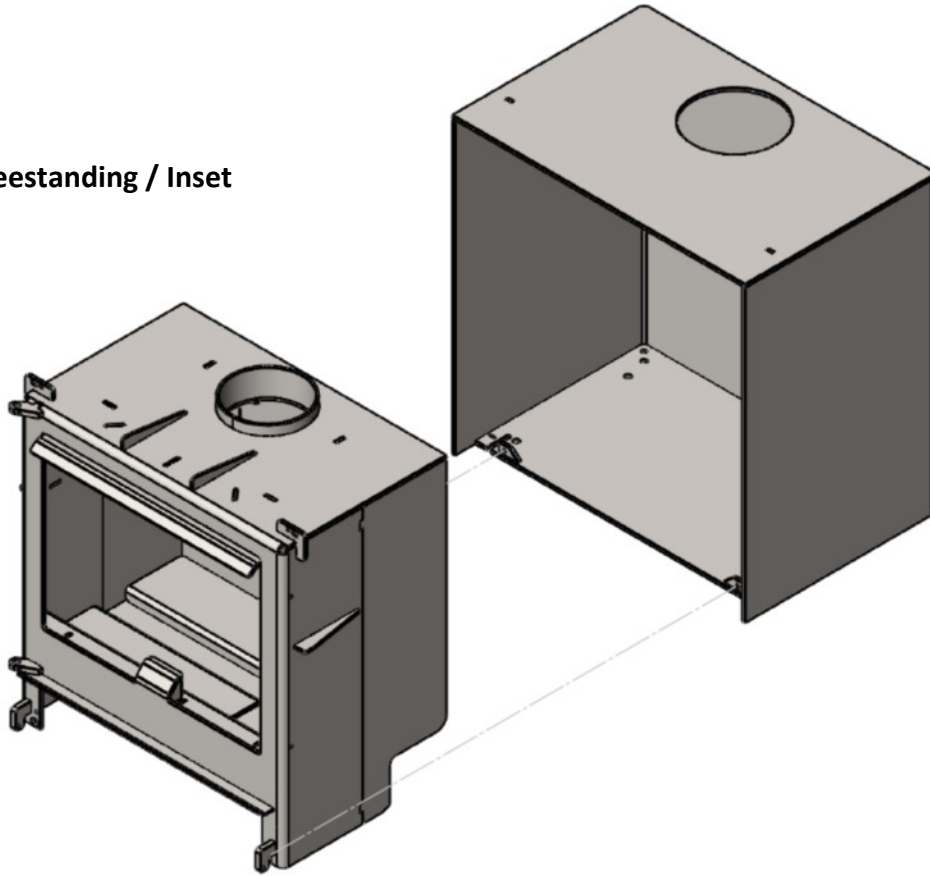


10

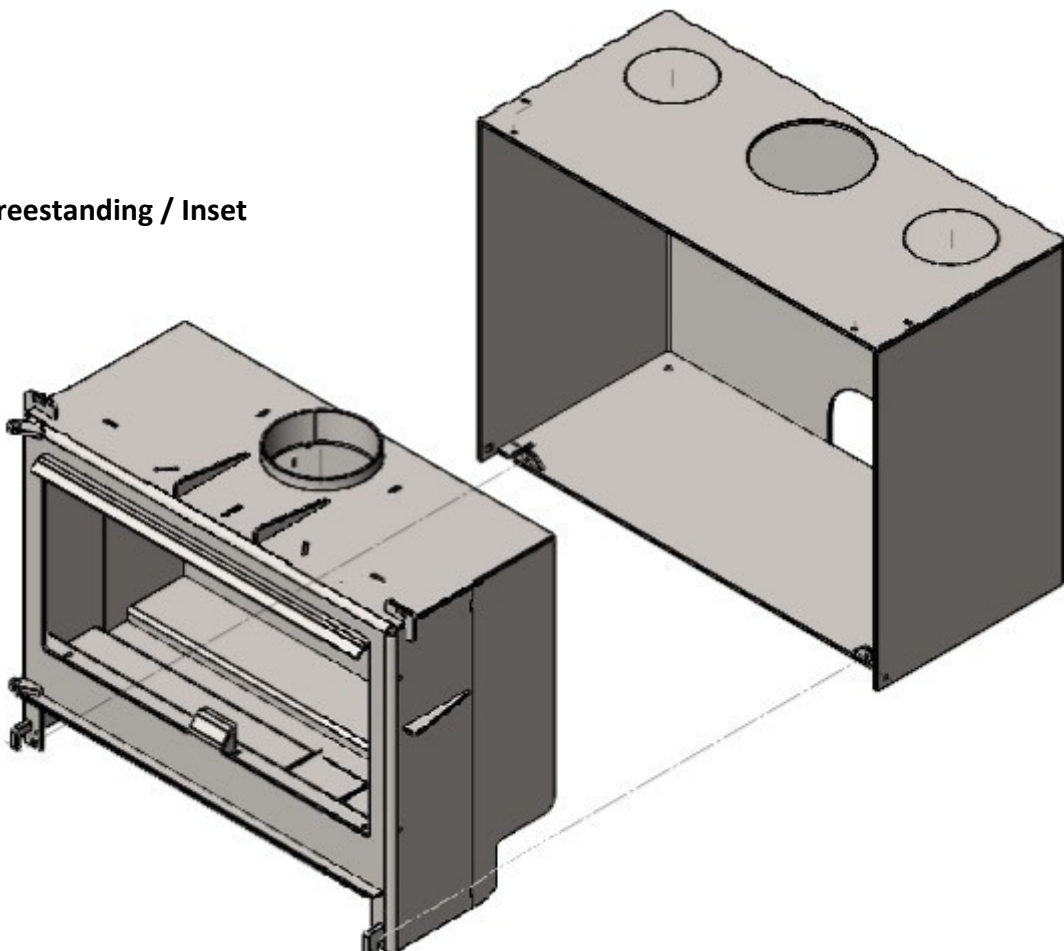
To reinstall the brick set follow these instructions in reverse  
*Pour réinstaller ce jeu de briques, appliquez ces instructions à l'envers.*

**CHRISTON 550 /750 COMBUSTION CHAMBER CAN BE REMOVED FROM OUTER FRAME**  
**CHAMBRE DE COMBUSTION INTÉRIEUR DU CHRISTON 550 / 750**

**Christon 550 Freestanding / Inset**

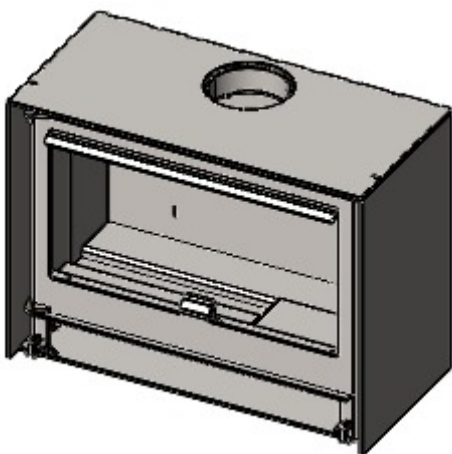
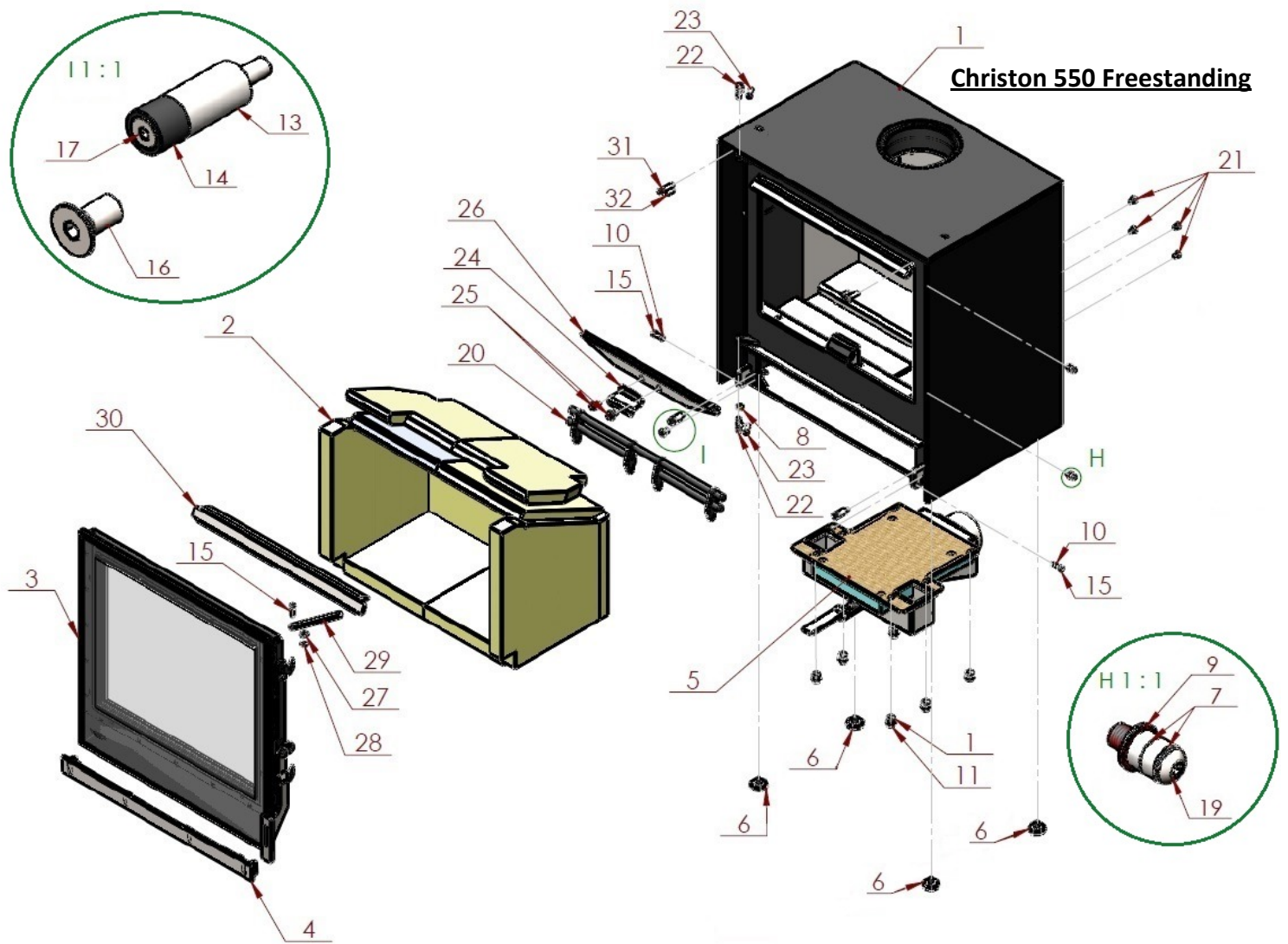


**Christon 750 Freestanding / Inset**

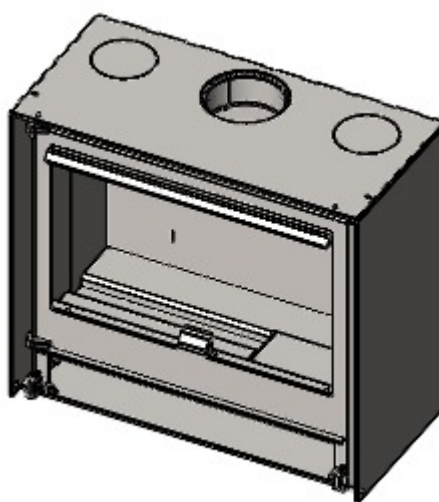


# CHRISTON 550 SPARE PART DIAGRAM

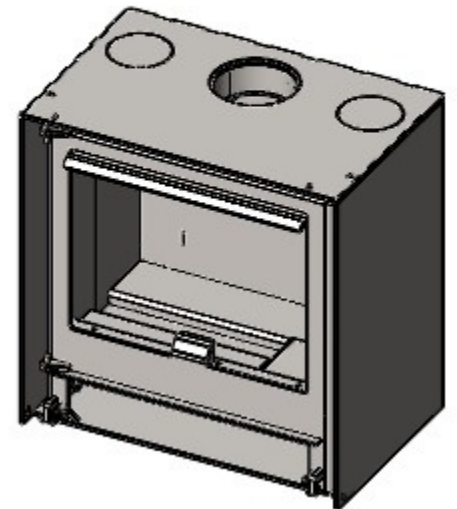
## CHAMBRE DE COMBUSTION INTÉRIEUR DU CHRISTON 550 / 750



**Christon 750 Freestanding**



**Christon 750 Inset**



**Christon 550 Inset**

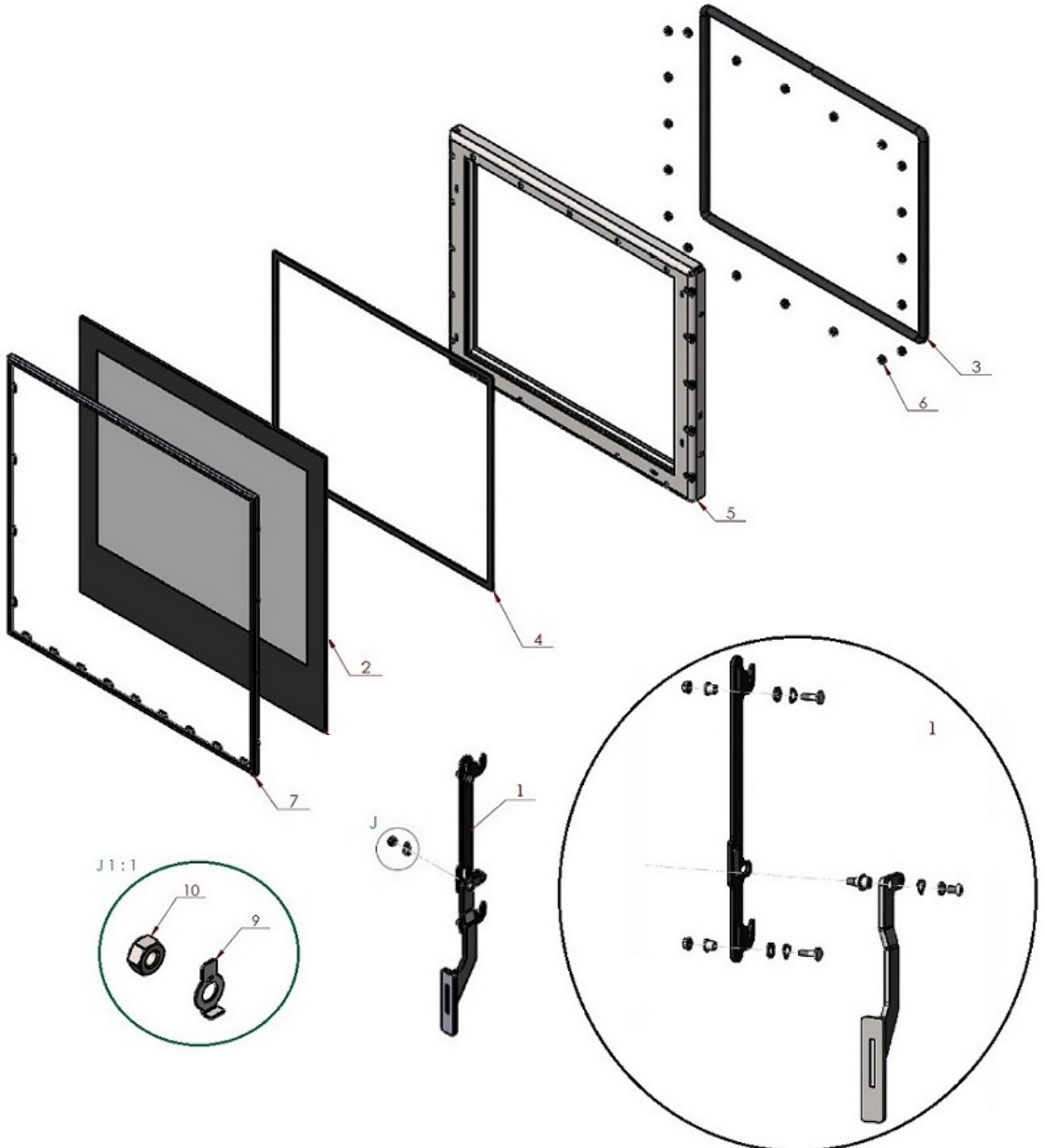
To purchase or get more information on spare parts for the Christon Models, please visit:

[www.mendipstoves.co.uk/mp-spares-christon-category](http://www.mendipstoves.co.uk/mp-spares-christon-category)

# CHRISTON 550 /750 DOOR & HANDLE CONSTRUCTION

## CHAMBRE DE COMBUSTION INTÉRIEUR DU CHRISTON 550 / 750

Number	Description	Christon 550 Product Code	Christon 750 Product Code
	Complete Door	M10550-06-00-00-00	M10750-06-00-00-00
1	Door Handle	M10750-06-05-99-00	M10750-06-05-99-00
2	Glass	M10550-01-27-99-00	M10750-01-27-99-00
3	Door Rope Seal	M10550-06-02-00-00	M10750-06-02-00-00
4	Glass Rope Seal	M10550-01-02-01-00	M10750-01-02-01-00
5	Door Frame	M10550-06-01-00-00	M10750-06-01-00-00
6	Retention Nut		
7	Glass Trim	M10550-01-03-00-00	M10750-01-03-00-00



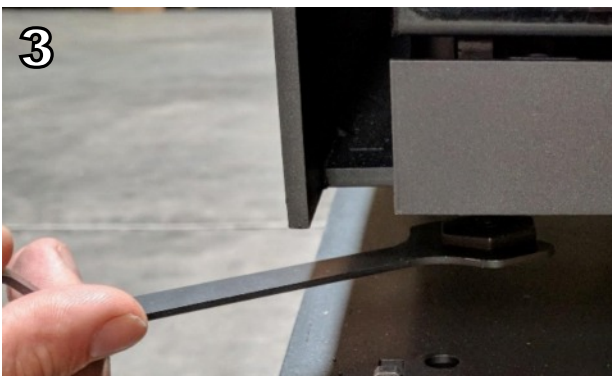
## LOGSTORE INSTALLATION



1. When attaching a logstore to the Christon 550 or 750, the first thing to do is to prepare the base by ensuring all the bolts, as well as the front bar, have been separated from the stand.



2. Then place wooden batons on top of the base; this enable the Christon stove to be placed onto the logstore without trapping your fingers. Please observe safe lifting practices and do not attempt to lift this stove alone. These batons should be 50mm (2 inches) thick to provide enough space to access and remove the levelling feet. The tool provided for adjusting the height of the feet can also be used to remove the feet.



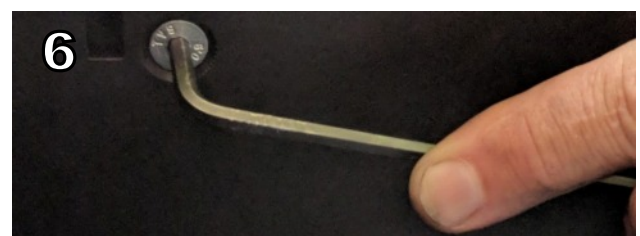
3. Once the feet have been removed, roughly position the stove inline with the base. Then carefully lift one side of the stove and remove the wooden batons, allowing the stove to come to rest upon the logstore.



4. It is unlikely that the stove body and logstore base are perfectly aligned. The other end of the foot adjustment tool can then be used to lever the two components on a horizontal plane with the help of the purpose-built alignment grooves either side of the closed combustion inlet.



5. Now the two are inline, the logstore can be secured using the bolts provided. The front two bolts need to be attached with the front cover strip (as shown in the photo). These bolts should be fastened using an Alan key to ensure that the stove is well secured to the base.

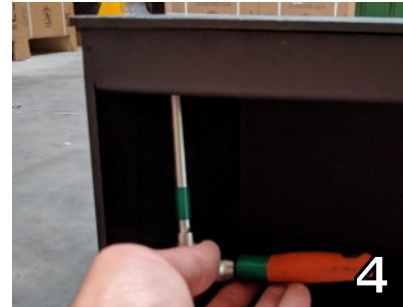


You have now successfully attached the logstore.

# SIDE TABLE INSTALLATION



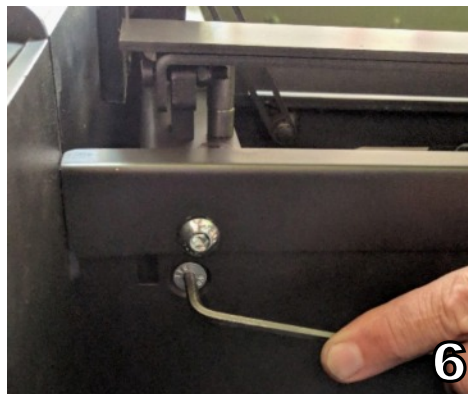
Firstly, to assemble you side table:  
Place the top plate onto the body of the side table and use M5 nuts and a spanner/socket wrench to secure the top plate in the correct position.



Once you have your side table, simply slide the top plate protrusion between the stove body and the log base (←). If this has been positioned correctly the threaded holes of the top plate will be accessible through the logstore base of the Christon.

Then secure the Side Table to the Logstore using M5 countersunk screws - To avoid damaging the thread, tighten the screws with your fingers to start with and then fully secure them with an Alan key/socket wrench as shown in the photo.

It's that simple!





# Guide d'utilisation et Mode d'Emploi

**CHRSTON 550**

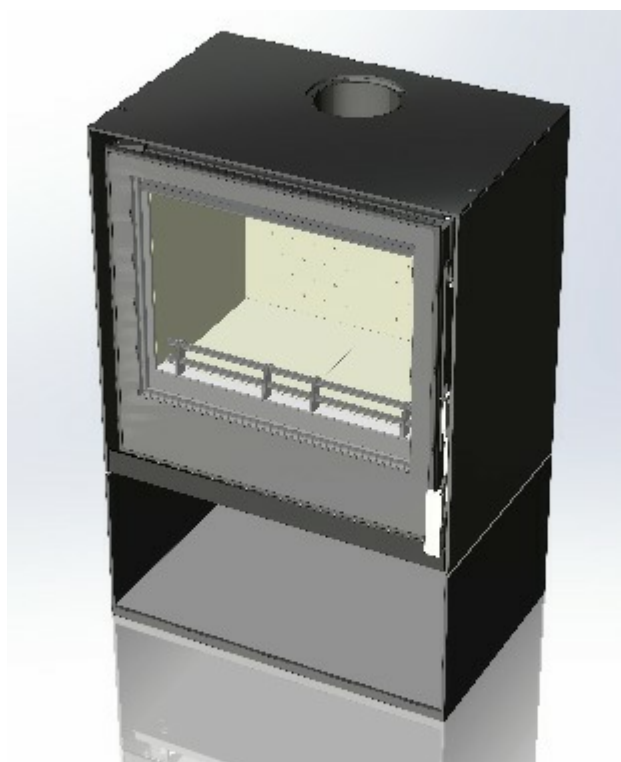
**CHRISTON 550 INSERT**

**CHRISTON 750**

**CHRISTON 750 INSERT**

Ce manuel se réfère aux poêles énumérés ci-dessus. Ils ont été testés conformément à la norme EN 13240 et 13229. Nous vous remercions d'avoir choisi un nouveau poêle de Mendip Stoves et nous sommes certains que vous en serez enchantés.

Lisez ces instructions, elles relatent les principes de base pour assurer l'installation satisfaisante de votre poêle, même si pour répondre à des conditions particulières locales, de légères modifications peuvent intervenir



Poêle a bois	Hauteur mm	Largueur mm	Profondeur mm	Poids kg
Christon 550	550	550	360	81
Christon 550 Insert	550	550	360	91
Christon 750	550	750	360	110
Christon 750 Insert	550	750	360	120

## CONSIGNES GENERALES DE SANTE ET DE SECURITE

---

### INFORMATIONS DESTINEES A L'UTILISATEUR, A L'INSTALLATEUR ET A L'INGENIEUR DE SERVICE

---

Lors de l'installation du poêle, vous devez vous assurer de la conformité aux lois sur la santé et la sécurité au travail.

#### **Manutention**

Des installations et équipements adéquats doivent être disponibles pour les chargements, déchargements et manœuvres sur le site.

#### **TRAVAIL PREPARATOIRE ET CONTROLES DE SECURITE**

##### **Pièces en métal**

Prenez toutes les précautions nécessaires lors de l'installation ou de l'entretien de ce poêle pour éviter les blessures.

#### **AVERTISSEMENT IMPORTANT**

Ce poêle ne doit pas être installé dans une cheminée servant à d'autres appareils de chauffage. La pièce où est placé le poêle ne doit pas être équipée d'un dispositif d'extraction (VMC par exemple) car ceci pourrait provoquer des fumées en provenance du poêle.

#### **Poêle peinture aérosols**

Les peintures aérosols sont inflammables et donc dangereux lors de l'utilisation autour d'un poêle en fonctionnement. Il faut permettre à la peinture de sécher et aérer la pièce avant l'allumage de l'appareil.

#### **Ciment réfractaire**

Certains types de ciments réfractaires sont caustiques et ne doivent pas entrer en contact avec la peau. Après tout contact avec les yeux, laver immédiatement et abondamment à l'eau.

#### **Amiante**

Ce poêle ne contient pas d'amiante. Si l'installation exige une manipulation d'amiante, contactez un spécialiste et utilisez l'équipement de protection adapté.

**Ces instructions concernent les principes fondamentaux de bonne installation des poêles multi combustibles Mendip Stove.**

**Toutefois, l'installation doit répondre à la législation en vigueur et aux autres spécifications ou réglementations affectant l'installation du poêle.**

## CHEMINÉE ET RACCORDEMENT AU POÊLE À BOIS

La sortie de la cheminée doit être au-dessus du toit de l'habitation en conformité avec les dispositions du Règlement locale en France. Si l'installation est dans une cheminée existante, alors le conduit existant doit être solide et ne pas avoir de fissure ou autres défaut qui pourraient faciliter la diffusion des fumées dans l'habitat. Les habitations très anciennes peuvent présenter des défauts de conduit ou des sections transversales trop importantes, c'est à-dire, plus de 160 mm x 160 mm.

La société Mendip Stoves conseille l'utilisation d'un système de conduit de fumée de combustibles solides pour l'installation dans des cheminées existantes. Tous les systèmes de cheminée doivent être utilisés conformément au Règlement de construction approuvé. Si une cheminée existante est utilisée, la cheminée doit être exempte de toute obstruction et doit être nettoyée immédiatement avant l'installation du poêle. La cheminée doit être testée pour vérifier la dépression nécessaire au bon fonctionnement du poêle. Si le poêle est installé à la place d'un feu ouvert, la cheminée doit être ramonée un mois après l'installation afin d'éliminer toute suie existante lié à une combustion différente poêle -cheminée.

S'il n'y a pas de cheminée existante, soit une cheminée de blocs préfabriqués en conformité avec des règles de construction ou un jumeau murée isolée conduit inox BS 1856-1 alors ces cheminées doivent être installées conformément aux instructions du fabricant et des règles de construction. Un tubage de cheminée métallique à paroi simple est adapté pour le raccordement du poêle à la cheminée mais ne convient pas pour l'utilisation de la cheminée complète. La cheminée et le conduit de fumée de liaison doivent avoir un diamètre minimal de 150 mm et sa dimension ne doit pas être inférieure à la taille de la buse de sortie du poêle à bois. Tout coude dans la cheminée ou le tuyau de raccordement du conduit de fumée ne doit pas dépasser 45°.

Les coudes de 90° ne doivent pas être utilisés autrement que dans les 150 mm de sortie de la cheminée de l'arrière du poêle.

### Cheminée & Tirage

Pour faire fonctionner le poêle de façon satisfaisante la hauteur de la cheminée doit être suffisante pour assurer un tirage adéquat pour effacer les produits de combustion et de prévenir les problèmes de fumée dans la pièce.

Les résultats des tests pour des débits et des températures d'émission	Combustion taux – bois/charbon	Température de fumée bois/charbon	@ Aspirartion Pa
Christon 550	5.7g/s	220°C	12 pa.
Christon 750	7.6g/s	274°C	12 pa.

Une cheminée de 4 m 50, mesurée verticalement à partir de la sortie de la buse du poêle à la partie supérieure de la cheminée doit être satisfaisante. Sinon la procédure de calcul donnée dans la norme BS 5854: 1980 peut être utilisée comme base pour décider si la conception de cheminée fournira suffisamment de tirage.

Si l'on constate qu'il y a un tirage excessif dans la cheminée alors on peut effectuer un réglage de fumée manuel ou installer un stabilisateur de tirage. Le réglage de la cheminée ajustable ne doit pas fermer la fumée entièrement mais devrait dans sa position fermée quitter une zone continue minimale d'ouverture libre d'au moins 20% de la superficie totale de la section transversale du conduit de cheminée ou ventouse. Une trappe de ramonage doit être prévue et accessible pour faciliter le ramonage de la cheminée et du conduit de raccordement. Votre appareil doit être entretenu régulièrement, le déflecteur doit être nettoyé régulièrement (tous les mois). Le conduit de fumée peut être nettoyé avec une brosse souple. Utilisez uniquement un chiffon sec sur les surfaces externes. Au fil du temps le verre peut devenir sale, nettoyez avec un chiffon humide et polir avec un chiffon humide. Si le poêle n'a pas été utilisé pendant un certain temps le conduit de fumée doit être vérifié pour éviter tout blocage avant utilisation. Ne pas modifiez l'appareil ; utilisez uniquement des pièces de rechange autorisées par le fabricant.

## INDICES DE PERFORMANCE ET RÉSULTAT DES TESTS

Christon Poêles à bois et inserts sont conforme au standard EN 13240 et 13229 et Eco Design 2022

	Puissance bois	Rendement	CO@13% O <sub>2</sub>	Particule mg/NM <sup>3</sup>	Indice performance
<b>Christon 550</b>	4.8 kW	77.8%	0.09	30	0.5
<b>Christon 750</b>	8.7 kW	78.4%	0.09	32	0.6

Max longueur de bûche, Quantité et la fréquence de recharge.

Buchés specification					
	Longeur	Dimension L x H x P	Qte	Temps de Recharge Hr	Poids de recharge
<b>Christon 550</b>	40cm	25 x 14 x 11	1	0.79hr	1.0kg
<b>Christon 750</b>	60cm	25 x 14 x 11	2	0.81hr	1.6kg

## ECO DESIGN READY - ADAPTE AU BESOIN DE MARCHÉ FRANCOIS

Les modelés de Christon sont livre avec un control sur la fermeture des aires secondaire pour arrive au besoin des normes Eco Design et arrive au niveau de performance pour l'éligibilité au crédit impôt entre autre standard en France.

Par contre nous avons adapté les poêles telle qu'il est possible de diminuer cette control sur les aires. Pour permettre les poêles de fermer les aires plus et augmenter le durée de fonctionnement entre les rechargements de bois. Vous pouvez augmenter le mouvement du UAC (Control des aires).

Viser le vis allen trouvée dans l'entre d'aire directe derrière le poêle dans le sens antihoraire pour augmenter votre control des aires. Viser dans le sens de l'horaire jusque a maximum 50% pour réduire votre control des aires.

- Besoin sur Christon 550 – faible influence
- Besoin sur Christon 750 jusqu' a 2.5 cm/50% influence notable

### Astuce de l'aire secondaire.

Viser le vis allen dans entre d'aire directe derrière le poêle dans le sens antihoraire pour augmenter votre control des aires. Viser dans le sens de l'horaire jusque a maximum 50% pour réduire votre control des aires.

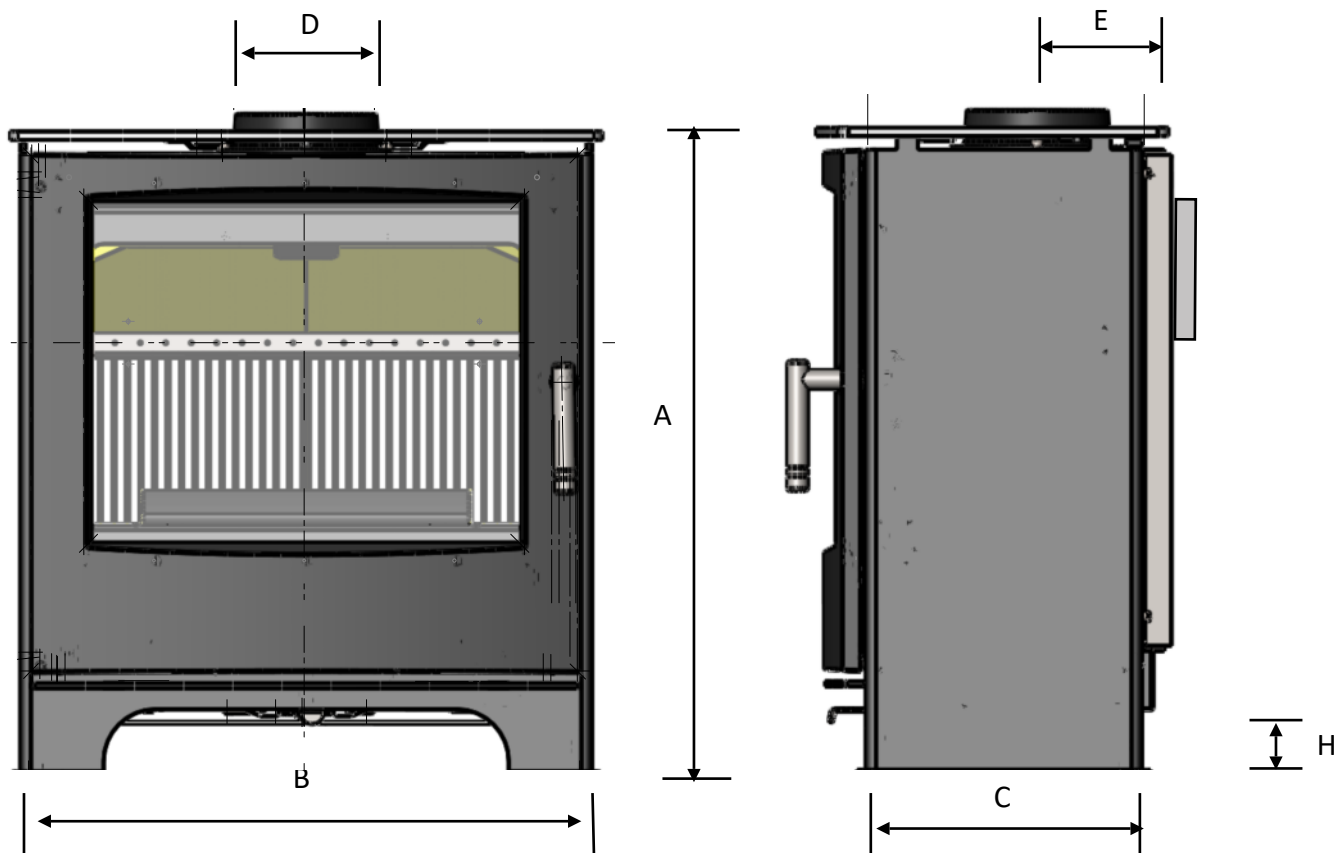


## DISTANCE AUX MATÉRIAUX INFLAMMABLES

Les matériaux combustibles ne doivent pas être situés à proximité de la diffusion de la chaleur à travers les parois des poêles ou cheminées; ils pourraient s'enflammer. Par conséquent lors de l'installation du poêle, il faut respecter les distances de sécurité données dans le Règlement de construction local mais aussi dans les instructions du poêle établies à la suite de tests. Les distances minimum des matériaux inflammables sont indiquées sur la plaque EN 13240 au dos du poêle à bois.

	Distance de sécurité arrière	Distance de sécurité latérale	Convenable plaque plancher (12mm)
<b>Christon 550</b>	200mm	200mm	OUI
<b>Christon 750</b>	100mm	100mm	OUI

## DIMENSIONS DES POÊLES ET DE TAILLES DE RACCORDEMENT



	Dimensions Poêle				Distance au		Raccordement aire mm
	Hauteur mm	Largeur mm	Profondeur mm	Buse raccordement mm	Dos/Axe raccordement fumée mm	Sol/axe raccordement aire mm	
	A	B	C	D	E	H	
<b>Christon 550</b>	550	550	360	125	105	50-60	80
<b>Christon 750</b>	550	750	360	150	105	50-60	80

H) «La variance de hauteur d'entrée sur l'entrée d'air direct dépend du réglage des pieds »

## FOYER

Le foyer doit être capable de supporter le poids du poêle et de sa cheminée. Modèles Christon 550 / 800 sont testés et adaptés pour être installés sur une plaque non-combustible de 12 mm comme une plaque de sol verre de 12 mm ou une plaque d'ardoise de 20mm. L'installation de tous les foyers doit se conformer à la taille et la construction de sorte qu'il est en conformité avec les dispositions de Règlement locale.

Les distances de sécurité aux matériaux inflammables autour, à l'arrière du foyer doivent se conformer aux normes fixées dans le Règlement de construction locales et aussi dans ce guide d'utilisation. Si le poêle doit être installé sur un plancher en bois, il doit être recouvert d'un matériau non-combustible et conformément aux règles de construction locales à une distance de 30 cm devant le poêle et 15 cm du côté latérale du poêles.

## AIR DIRECT ET POELE ETANCHE

Il est nécessaire de prévoir avec le poêle des entrées d'air suffisantes pour un fonctionnement efficace, pour assurer la sécurité des habitants et parer à toute éventualité. Cela est particulièrement nécessaire si la pièce dispose un double vitrage, si un stabilisateur de tirage de fumée est monté sur l'appareil, ou encore si des systèmes d'échangeur de chaleur de l'air à pression négative sont utilisés. La fourniture de l'alimentation en air du poêle doit être conforme aux règles de construction locales actuelles. Une fenêtre ouverture ne convient pas à cet effet. Les entrées d'air doivent être positionnées de telle sorte qu'elles ne peuvent pas être bloquées. Une entrée d'air peut être une ouverture (cette sortie doit être ouverte et assurer sa fonctionnalité lorsque le poêle est allumé).

Il n'y a pas de règles européennes concernant la distance minimale des murs non-inflammables, Mendip Poêles recommande de laisser une distance d'au moins 100 mm à l'arrière et sur les côtés du poêle. Les Modèles Christon 550 / 800 prennent l'air de combustion à partir d'une seule ouverture de 80mm sous le poêle, une fois la porte fermée l'amenée d'air fournit tout l'air de combustion de l'appareil. Celui-ci peut être relié à l'extérieur par un tuyau de 80 mm de sorte que le dispositif ne prenne pas d'air de la pièce. Cependant, Mendip Poêles recommande toujours l'utilisation d'une arrivée d'air dans la pièce suffisante pour permettre la reconstitution rapide de l'air ambiant pour les habitants en cas de problème.

## CHAMBRES DE COMBUSTION

La chambre de combustion Mendip, les panneaux de vermiculite sont conçus pour assurer le maximum d'efficacité et sont une partie intégrante du processus de combustion propre au poêle. La vermiculite ne doit pas être enlevée autrement que pour nettoyer le poêle. Tous les panneaux brisés défectueux doivent être remplacés, mais la présence de petites fissures ne nécessite pas de remplacement immédiat. Pour éviter les dommages accidentels potentiels de briques, placez le bois dans le foyer tout en portant un gant lors du ravitaillement, éviter de jeter les bûches; l'impact à partir des bûches peut causer des fissures prématurées au niveau des panneaux de vermiculite.

### Raccordement pour cheminée

Les poeles Mendip Christon sont construits avec une sortie par le haut en standard. Des précautions doivent être prises pour assurer un ajustement étanche à l'air lors du montage du collier et de la plaque. Une plaque de couvercle décorative est incluse dans chaque poêle pour couvrir le trou dans la plaque supérieure de convection. Ce collier permet la connexion soit à une cheminée de maçonnerie, à une pièce d'usine préfabriquée isolée, ou à une cheminée en métal. Il faut s'assurer que les pièces détachées (en briques et grilles) soient montés conformément aux instructions données dans le guide d'utilisation. À l'issue de l'installation, prévoir une période de temps convenable pour que tous les mastics d'incendie sèchent, un petit feu peut être allumé pour vérifier que la fumée et les vapeurs sont prises du poêle vers la cheminée et émises en toute sécurité dans l'atmosphère. Ne pas faire fonctionner l'appareil à pleine puissance pendant au moins 24 heures.

## MIS EN SERVICE

Au terme de l'installation, les instructions d'utilisation sont laissées au client. Assurez-vous de conseiller le client sur l'utilisation correcte de l'appareil avec les combustibles susceptibles d'être utilisés dans le poêle et notifier leurs l'utilisation de combustibles recommandés pour le poêle. Transmettez les recommandations nécessaires à l'utilisateur en cas d'émanations de fumées par le poêle. Le client doit être averti de l'utilisation d'un pare-feu à la norme BS 8423: 2002, en présence des enfants, ou de personnes âgés ou infirmes.

## FONCTIONNEMENT DU POÊLE - CHRISTON 550 / 800

### Combustibles appropriés

Votre poêle est testé pour brûler du bois. Les briquettes de bois peuvent également être brûlées, mais il faut prendre en compte leur fort pouvoir calorifique en comparaison au bois. Ne surchargez pas le poêle car cela peut causer une chaleur excessive et endommager le poêle (voir le tableau à la page 33).

**GARDEZ TOUJOURS** la charge de bois en dessous de l'ouverture de l'air TERTIAIRE à l'arrière du poêle. Utilisez uniquement des combustibles approuvés pour utilisation sur les poêles à bois. Ne pas brûler les combustibles liquides, dérivés du bois, bois fini, bois scié, palettes en bois, bois aggloméré, contreplaqué en bois ou en plastique recouvert de bois verni, le bois traité avec des conservateurs, ou de tout types de déchet domestique.

**NE DEPASSER PAS le POIDS carburant spécifié a chaque recharge.  
NE BRÛLER PAS DU CHARBON BRUN. NE PAS BRÛLER DES DÉCHETS DOMESTIQUES, CET  
APPAREIL N'EST PAS UN INCINERATEUR**

**Mendip Stove recommandent que l'utilisation d'un thermostat de fumée pour vérifier votre poêle à bois ne soit ni surchauffe ni que la température de fumée diminue trop pour une bonne combustion**

## PREMIER ALLUMAGE DE VOTRE POÊLE

***Avant d'allumer le premier feu dans le poêle Assurez-vous que vous avez lu ce manuel entièrement et vous familiariser avec les contrôles de votre poêle.***

La peinture du poêle résistante à la chaleur, "cuira" et durcira la première fois que vous allumerez votre poêle. Le procédé de durcissement produit beaucoup de fumée et une forte odeur. Il est donc important que la pièce soit bien aérée pendant ce premier allumage.

Au cours de cette période, lors des deux ou trois premiers allumages, il est important d'ouvrir et de fermer périodiquement la porte du poêle (toutes les 30 minutes), ce qui évitera à la corde d'étanchéité autour de la porte de coller et de se détacher. Une fois la peinture résistante à la chaleur "cuite", l'odeur disparaîtra. Ce poêle n'est pas prévu pour être utilisé avec la porte ouverte, elle doit rester fermée, sauf pendant l'allumage, le chargement des bûches ou le nettoyage des cendres, ceci pour empêcher les gaz brûlés de s'échapper.

### **Allumage ultérieur du poêle**

Utilisez des allume-feux de bonne qualité pour allumer le poêle (N'utilisez jamais d'alcool pour allumer le poêle, de pétrole ou autres liquides inflammables). Il sera plus fiable et plus facile d'allumer le poêle avec des allume-feux qu'avec du papier. Votre poêle n'est pas conçu pour être utilisé avec la porte ouverte; la porte du poêle doit être maintenu fermée sauf pour allumer le poêle, ajouter du bois de chauffage ou enlever des cendres et ceci afin d'empêcher les gaz de combustion de fuir.

## CONTROL D'AIR DU POËLE A BOIS - CHRISTON 550 / 800

Le control Air universelle (UAC) permet un contrôle de l'air pour l'ensemble d'un poêle avec un seul levier de commande. Deux opérations importantes :

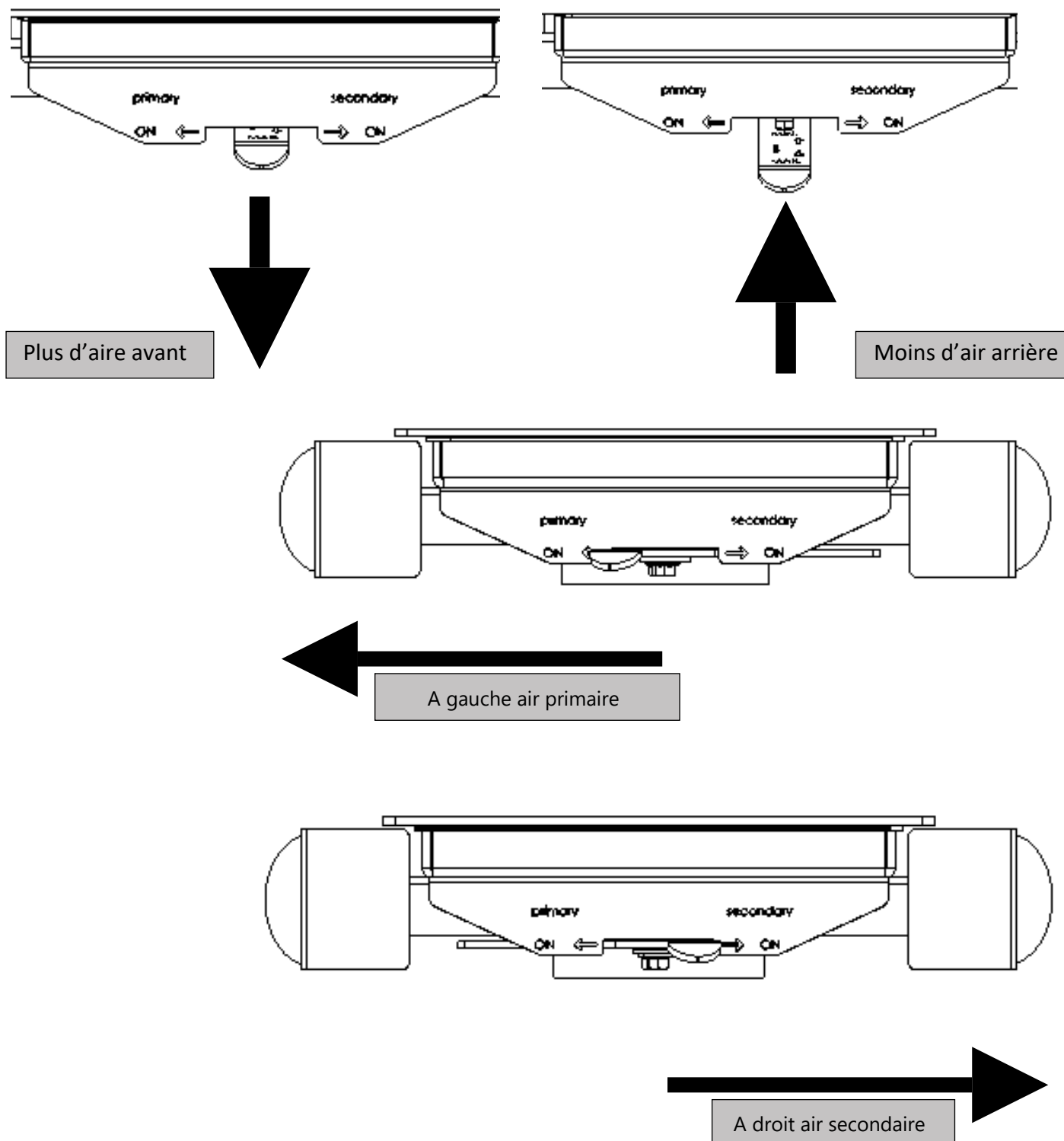
### Le déplacement du levier de commande avant et arrière

Glisser le levier de commande vers l'arrière, vous réduisez la quantité totale d'air de combustion dans le poêle. Glisser le levier vers l'avant, vous augmentez la quantité totale d'air de combustion dans le poêle.

### Déplacer le levier de commande de gauche à droite

En déplaçant le levier de commande vers la gauche, vous augmentez le mélange d'air primaire et en déplaçant vers la droite, vous augmentez l'air secondaire (lavage à l'air) mélange.

Quelle que soit la position du levier, le poêle peut avoir soit de l'air minimum ou maximum de combustion.

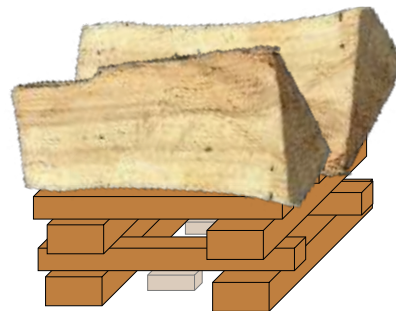




## COMMENT ALLUMEZ VOTRE POÊLE À BOIS MENDIP

**Remarque : Si la conduit est à l'extérieure et en période de grand froid, il peut être nécessaire de réchauffer la cheminée en utilisant les allume-feux préalable à l'allumage avec du bois**

1. Placez des petits bouts de bois sec (petit bois) dans le foyer par-dessus les allume-feux non toxiques. Posez un ou deux bouts de bois sec fendu au quart par-dessus. L'embranchement des bûches empilées sur le schéma permet la diffusion libre de l'air de combustion ; ce qui facilite l'allumage.



2. Avancez entièrement vers l'avant la tirette d'air universelle (UAC) en dessous de la porte du poêle. Faites glisser pleinement à la position médiane. Le poêle dispose désormais d'un mélange d'air primaire air et secondaire pour le démarrage.

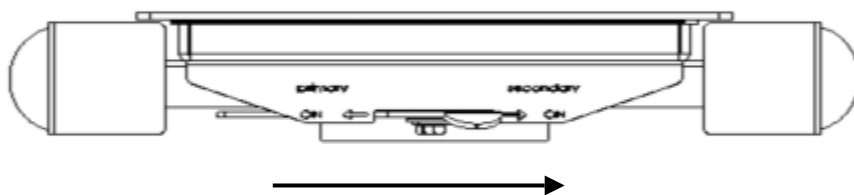
3. Allumez les allume-feux et poussez la porte en position fermée, le verrou en 1ère position de sorte que la porte est ouverte de 2 mm (voir la photo). Cela fournit de l'air de combustion en plus pour le démarrage et réduit la condensation sur la vitre de la porte. Il peut être nécessaire d'ouvrir un petit peu le cendrier (1-2 mm) pour bénéficier de plus d'air si la cheminée est lente.



4. Une fois les flammes du bois bien établies, ce qui peut prendre jusqu'à 10 minutes, la porte et ou le bac à cendre peut être fermé.

5. Laissez le contrôle d'air UAC dans la position centrale (si la tirette est au milieu du contrôleur aérien, UAC fournit à la fois de l'air primaire et de l'air secondaire). Si les flammes du poêle commencent à faiblir et générer de la fumée dans la chambre de combustion, déverrouillez la porte à nouveau jusqu'à ce que le feu soit rétabli.

6. Une fois le lit du feu établi, faites glisser le contrôle UAC sur la position secondaire et appuyez sur le levier de 25%. Pour que le poêle brûle proprement beaucoup d'air secondaire, il ne faut pas fermer le feu vers le bas, car cela peut provoquer de la fumée. Une fois la puissance calorifique nominale atteinte, faites le plein de votre poêle environ une fois par heure. Vérifiez le poids des charges de votre modèle sur le tableau de la page 29.



Utilisez le gant lorsque vous utilisez les commandes d'air et de la porte.

**Le poêle devient très chaud lors de l'utilisation il faut être vigilant. Il est nécessaire d'utiliser le gant lorsque vous utilisez les commandes d'air, portes et cendrier.**

### BOIS DE CHAUFFAGE

Pour une utilisation optimale de votre poêle, il est nécessaire d'utiliser du bois de chauffage de bonne qualité. Il faut brûler un bois de chauffage sec issu de bois de feuillus (la teneur en humidité doit être inférieure ou égale à 20%). Le taux d'humidité du bois joue un rôle important car l'utilisation de bois humide diminue le rendement de l'appareil et peut provoquer un film de suie goudronneuse sur le fonctionnement interne de du poêle. Les bois récemment coupés contiennent 60-70% d'eau, ce qui rend totalement impropre à l'utilisation du bois de chauffage.

Tout bois récemment coupé, devrait être empilé et séché à l'air sous abri pendant deux ans avant d'être utilisé comme bois de chauffage.

## CHARGEMENT DE BOIS

***Ne pas brûler des combustibles liquides, dérivés du bois, bois fini, bois scié, des palettes en bois, aggloméré contreplaqué en bois ou en plastique recouvert de bois verni, bois traité avec des conservateurs, ou déchets domestique. Pour alimenter votre poêle de la manière la plus propre ne placez pas de combustible dans votre poêle lorsque les flammes se sont apaisées ou que vous avez des braises.***

Avant de faire le plein, ouvrez l'air pleinement et placez le levier à la position centrale. Déverrouillez la porte pour égaliser la pression de la chambre. Ouvrez la porte doucement, ajoutez un morceau de bois (pour les 4,6 et 6 kW) ajoutez deux morceaux de bois (pour les modèles 8 & 10kW), vérifiez le poids (tableau page 29) et fermez la porte. Une fois les flammes pleinement établies, placez la tirette UAC à la bonne position et poussez la tirette de contrôle d'air 75% fermé.

L'utilisation du poêle déterminera les paramètres qui vont générer les meilleurs résultats. Utilisez un thermostat de fumée pour vérifier que le poêle ne surchauffe pas. Les thermostats de fumée doivent être placés directement au-dessus du poêle sur une section non isolée du tuyau (la zone efficace de température de fonctionnement est comprise entre 200°C et 400°C).

## ENCRASSEMENT ET COMBUSTION INCOMPLÈTE

Si les contrôles d'air sur votre poêle sont fermés, une combustion incomplète peut conduire à une accumulation de suie, une suie dure et brillante à l'intérieur de votre poêle et sur la vitre.

Pour éviter la prise de suie dans votre poêle et l'encrassement de la vitre :

- 1) Utilisez plus d'air secondaire
- 2) Vérifiez que votre bois est adapté et sec.
- 3) Vérifiez que vous avez un tirage suffisant dans votre cheminée. Il est important de vérifier les conditions de tirage avant d'allumer votre poêle. Ceci peut être réalisé, par exemple, en plaçant d'un morceau de papier journal froissé et allumé. Les conditions de tirage sont bonnes si la fumée est attirée par la cheminée.

## FONCTIONNEMENT PENDANT LA NUIT

Mendip Stoves sont conçus pour brûler du bois avec une combustion de qualité.

Les appareils Mendip sont conçus pour brûler le combustible de manière efficace avec le moins d'émissions possible lors de leur fonctionnement normal.

C'est pour cela que nous ne recommandons pas l'utilisation de nos appareils « en mode nuit », avec les airs de combustion au minimum et l'utilisation de bûches de nuit.

Dans cette situation, les températures normales de combustion ne sont pas atteintes et par conséquent les émissions de fumées sont importantes et l'encrassement de l'appareil et du conduit est très important et rapide.

## ATTENTION

Correctement installé, exploité et entretenu, votre poêle n'émettra pas de fumées dans l'habitation. Des Fumées occasionnelles lors du décentrage et du ravitaillement en bois peuvent se produire. Cependant, les émissions de fumées persistantes sont potentiellement dangereuses et ne peuvent pas être tolérées.

Si les émissions de fumée persistent, suivez ces instructions:

- a) Ouvrez les portes et les fenêtres pour ventiler la pièce, puis quittez les lieux.
- b) Sortir les bûches.
- c) Vérifier qu'il n'y ait pas d'obstruction dans la cheminée et procéder au nettoyage.
- d) Ne pas rallumer le feu jusqu'à ce que la cause de l'émission de fumée ait été identifiée et traitée. Si nécessaire consulter un expert. La cause la plus fréquente des émissions des fumées de combustion est liée à une obstruction dans la cheminée. Pour votre propre sécurité, les conduits doivent être maintenus propres en permanence.

### Alarme CO

Votre installateur doit être muni d'un avertisseur de CO dans la même pièce que l'appareil. Si l'alarme s'active de façon inattendue, suivez les instructions données sous "Attention Remarque" ci-dessus.

### Aérosols

Les aérosols sont inflammables et donc dangereux, ne pas les utiliser près d'un poêle en fonctionnement.

## DIAGNOSTIC DES PROBLÈMES

1. **Le feu ne prend pas - vérifiez**
  - a) que l'entrée d'air ne soit pas obstruée d'aucune manière
  - b) que le conduit des fumées et de la cheminée soient dégagés
  - c) l'utilisation d'un combustible adapté.
  - d) l'alimentation suffisante en air de la pièce
  - e) que la pièce où est placé le poêle ne soit pas équipée d'un dispositif d'extraction (comme une VMC).
2. **Flammes incontrôlables – vérifiez**
  - a) que la porte soit bien fermée
  - b) que le contrôle d'air soit réglé au minimum
  - c) que le registre d'entrée d'air soit fermé et qu'il ne soit pas obstrué par la cendre ou un bout de tison
  - d) qu'un combustible adapté soit utilisé
  - e) que les joints de la porte soient en bon état
  - f) que le tirage de la cheminée ne soit pas trop fort.
  - g) que le joint du bac à cendres soit en bon état,
  - h) qu'aucune cendre ne bloque le bac à cendres, si nécessaire et nettoyer.
3. **De la suie se forme sur la vitre – vérifiez**
  - a) que le bois ne soit pas trop humide
  - b) que l'arrivée d'air secondaire soit suffisante
  - c) que le feu soit assez chaud.
4. **Le poêle ne chauffe pas bien – vérifiez**
  - a) que le bois ne soit pas trop humide
  - b) que l'arrivée d'air secondaire soit suffisante.
5. **Fumée ou odeur – vérifiez**
  - a) que le tirage de la cheminée ne soit pas trop faible
  - b) que la cheminée ou le tubage ne soient pas partiellement ou totalement bloqués
  - c) que la hauteur de la cheminée soit adéquate par rapport à l'environnement
6. **Suie dans la cheminée – vérifiez**
  - a) que le bois ne soit pas trop humide
  - b) que l'arrivée d'air secondaire soit suffisante.

## MAINTENANCE

Mendip Stoves recommande de nettoyer régulièrement votre poêle, retirez la cendre (hebdomadaire si l'utilisation est quotidiennement). Utiliser un cendrier rempli par trop de cendre peut entraver le fonctionnement du poêle et peut causer des dommages sur la grille du poêle et sur le cendrier. Pour enlever le bac à cendre, utiliser l'outil et l'accrocher sur le devant du cendrier. Soulevez et sortez de sa position en dessous de la chambre de combustion. Prenez soin de soutenir le cendrier pendant le mouvement, toujours porter un gant résistant à la chaleur. Assurez-vous que le poêle soit complètement froid avant de retirer les cendres (les braises peuvent rester chaudes pendant plus de 24 heures). Les cendres doivent être stockées dans un récipient incombustible et ne doivent pas être mélangées avec d'autres déchets combustibles.

## L'ENTRETIEN ANNUEL

L'intérieur de du poêle doit être nettoyé une fois par an. Pour nettoyer l'intérieur, enlevez toutes les cendres, la suie et les résidus de goudron de la chambre de combustion. Retirer les panneaux de chambre isolée et le déflecteur, la saleté et la suie s'infiltrer derrière ces éléments et cela doit être nettoyé. Vérifiez la qualité de tous les panneaux isolés et remplacez les éléments endommagés ou fissurés, remplacez le joint de la porte du poêle. Vérifiez que le verre de la vitre soit correctement positionné. La connexion du conduit de fumée et la cheminée devraient être régulièrement vérifiées par un professionnel qualifié. Si pendant une période prolongée, le poêle n'est pas utilisé, il faut vérifier la cheminée, et écarter toute obstruction. La peinture, la laque peut devenir mince avec la chaleur dans des endroits exposés suite à une surchauffe. Les dommages de la peinture et de la laque, peuvent être réparés à l'aide de la Senotherm peinture ; une laque de pulvérisation disponible chez votre revendeur Mendip. Pour nettoyer l'extérieur de la poêle, utiliser un chiffon sec.

### **Non utilisation prolongée (d'été)**

Si le poêle n'est pas utilisé pendant une période de temps prolongée (par exemple pendant l'été), alors, un nettoyage en profondeur pour éliminer les résidus de cendres et de carburant non brûlé devrait être effectué. Pour permettre une bonne circulation de l'air à travers l'appareil, pour réduire la condensation et les dommages ultérieur, laissez les contrôles d'air complètement ouvert. Il est important que la liaison du conduit de fumée, des déflecteurs ou des plaques de l'appareil de la gorge et la cheminée soit nettoyée avant l'allumage après une période d'arrêt prolongée.

### **Pièces de rechange et des modifications non autorisées**

Seul les composants propres du fabricant, ou pièces de rechange recommandées et approuvées par des poêles Mendip doivent être utilisés pour l'entretien de l'appareil et la réparation. Toute modification non autorisée annulera la garantie du poêle et la conformité à la norme EN 13240.

### **Balayer vos cheminées et feux de cheminée**

Assurez-vous que votre appareil, conduits de fumée et la cheminée sont balayés régulièrement. Cela peut être entamé le fonctionnement de votre appareil.

Le ramonage régulier est essentiel et cela implique d'en effectuer un au moins une fois par an pour les carburants sans fumée et un minimum de deux fois par an pour le bois. Si une plaque d'étranglement est incorporée, il est essentiel que la plaque à aiguille soit retirée et nettoyée ci-dessus, toutes les cendres et les débris doivent être enlevés. Assurer un accès adéquat aux portes de nettoyage là où il n'est pas possible de ramoner la cheminée à travers l'appareil. Si une cheminée a été utilisée pour une installation de feu ouvert, il est possible que la température des gaz de combustion plus élevée à partir d'un appareil fermé puisse desserrer les dépôts qui ont été précédemment formés, avec le risque de blocage des fumées. Il est donc recommandé que la cheminée soit nettoyée une deuxième fois en un mois d'utilisation régulière après l'installation du poêle.

### **Incendies de cheminée**

Il ne devrait pas y avoir d'incendies de cheminée si elle est bien ramonée régulièrement. Toutefois, si cet incident se produit, tournez le réglage du contrôle d'air au minimum et fermez soigneusement la porte du poêle. Ces mesures devraient éteindre l'incendie, auquel cas le contrôle doit rester au minimum jusqu'à ce que les flammes soient éteintes dans le poêle. Il faut ensuite nettoyer la cheminée et le conduit de fumée. Si l'incendie ne s'éteint pas une fois les mesures ci-dessus prises, appeler immédiatement les sapeurs-pompiers. La cheminée doit être examinée en détail pour vérifier qu'elle ne soit pas endommagée. Consulter un spécialiste si nécessaire.



## SUMMARY

This report contains the test results of a room heater fired by solid fuels in accordance with NEN EN 13229:2001 and NEN EN 13229-A2:2004.

### Brief description of the project

Description	
Date of test	May 23, 2017 May 24, 2017
Manufacturer	Eurostove Limited UNIT H1, MENDIP INDUSTRIAL ESTATE MENDIP ROAD ROOKSBRIDGE, SOMERSET BS26 2UG, UK
Principal	Eurostove Limited
Appliance	Christon 550
Test category	Initial type test

### Abstract of the test results

Essential Characteristic	
Test fuel	Beech
Fire safety	Pass
Emission of combustion products (related to 13% O <sub>2</sub> )	CO: 0.09 vol% NO <sub>x</sub> : 96 mg/m <sub>0</sub> <sup>3</sup> C <sub>x</sub> H <sub>y</sub> *: 92 mgC/m <sub>0</sub> <sup>3</sup> Dust: 30 mg/m <sub>0</sub> <sup>3</sup>
Surface temperature	Pass
Measured thermal output	5.0 kW
Energy efficiency	77.8 %
Release of dangerous substances	Pass

\* equivalents of C<sub>3</sub>H<sub>6</sub>

Room heater **Christon 550** is an intermittent burning appliance. The appliance is not suitable for installation on a shared flue gas system.



## SUMMARY

---

This report contains the test results of a room heater fired by solid fuels in accordance with NEN EN 13229:2001 and NEN EN 13229-A2:2004. This report is also valid for the variant which is installed on a pedestal.

### Brief description of the project

Description	
Date of test	June 12, 2017 June 16, 2017
Manufacturer	Eurostove Limited UNIT H1, MENDIP INDUSTRIAL ESTATE MENDIP ROAD ROOKSBRIDGE, SOMERSET BS26 2UG, UK
Principal	Eurostove Limited
Appliance	Christon 750
Test category	Initial type test

### Abstract of the test results

Essential Characteristic	
Test fuel	Beech
Fire safety	Pass
Emission of combustion products (related to 13% O <sub>2</sub> )	CO: 0.09 vol% NO <sub>x</sub> : 94 mg/m <sub>0</sub> <sup>3</sup> C <sub>x</sub> H <sub>y</sub> *: 51 mgC/m <sub>0</sub> <sup>3</sup> Dust: 32 mg/m <sub>0</sub> <sup>3</sup>
Surface temperature	Pass
Measured thermal output	8.7 kW
Energy efficiency	78.4 %
Release of dangerous substances	Pass

\* equivalents of C<sub>3</sub>H<sub>6</sub>.

Room heater **Christon 750** is an intermittent burning appliance. The appliance is not suitable for installation on a shared flue gas system.

This test report consists of pages 1 until 17 and the annexes 1 until 3.





**Mendip Stoves Ltd.**  
Unit H1  
Mendip Industrial Estate  
Mendip Road  
Rooksbridge  
Somerset  
**BS26 2UG**

**Website**  
[www.mendipstoves.co.uk](http://www.mendipstoves.co.uk)

**Email**  
[info@eurostove.co.uk](mailto:info@eurostove.co.uk)

**Telephone**  
01934 750 500

Distribué en France par la société / Distributed in France and Benelux by:-

Eurostove SAS  
Centre d'Affaires  
Rue de L'horlogerie BP 60011  
62401 Bethune Cedex  
[contact@eurostove.fr](mailto:contact@eurostove.fr)  
[www.eurostove.fr](http://www.eurostove.fr)



Part of the Eurostove Group



Mendip Stoves Ltd, Oct 2020, Christon 550 & 750 Manual Version

CODE: M90550-49-00-99-00